

Minuteman[®]



Parts Manual
Kleen Sweep 25W Sweeper

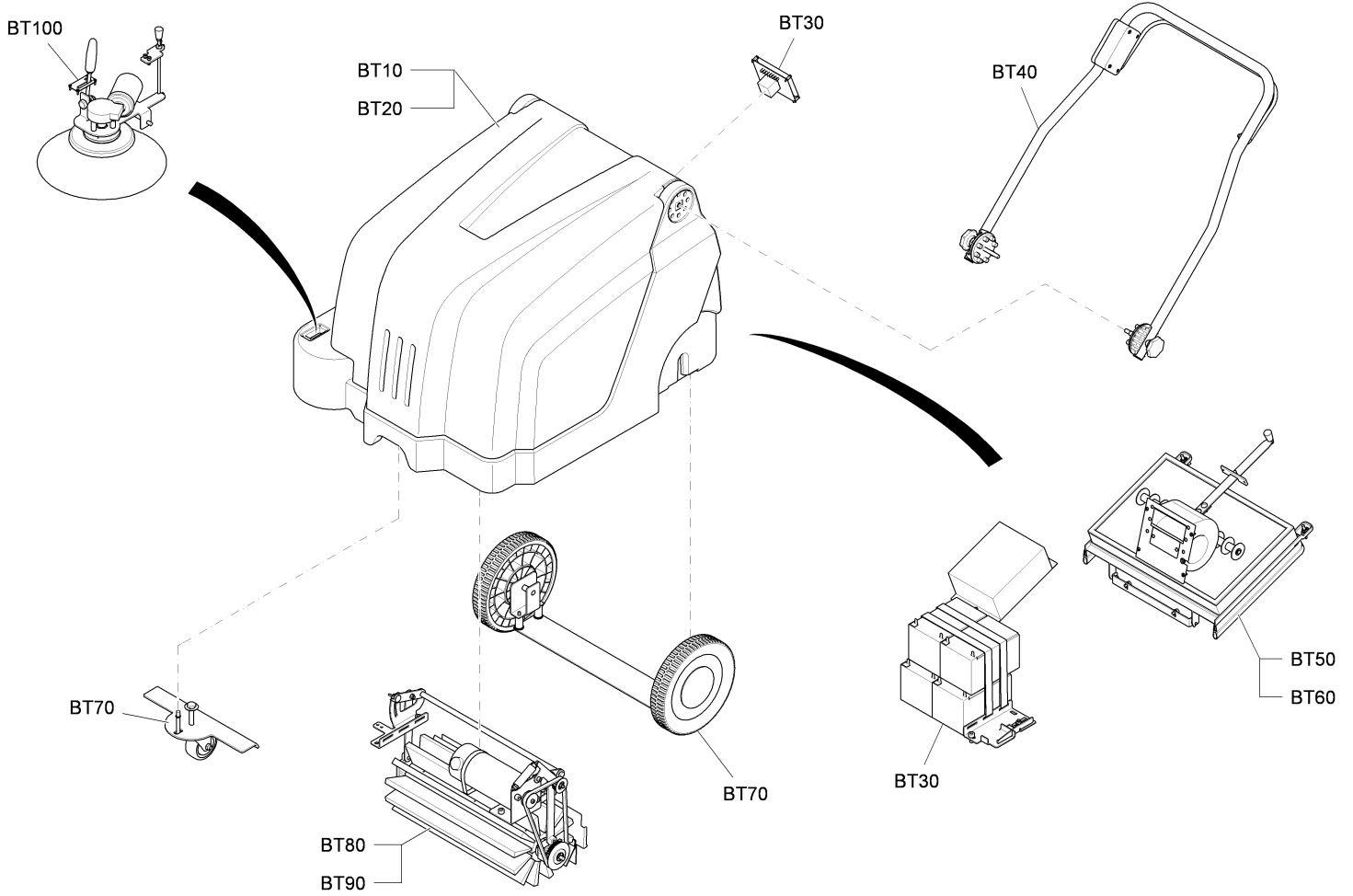
For Safety When Servicing or Maintaining Machine

- Stop on level surface.
- Disconnect the power to the machine by pulling the red Battery Connector located under the recovery tank near the batteries.
- Avoid moving parts. Do not wear loose jackets, shirts, or sleeves when working on machine.
- Avoid contact with battery acid. Battery acid can cause burns. When working on or around batteries, wear protective clothing and safety glasses. Remove metal jewelry. Do not lay tools or metal objects on top of batteries.
- Do not clean machine with a pressure washer.
- Authorized personnel must perform repairs and maintenance. Use Minuteman supplied replacement parts.

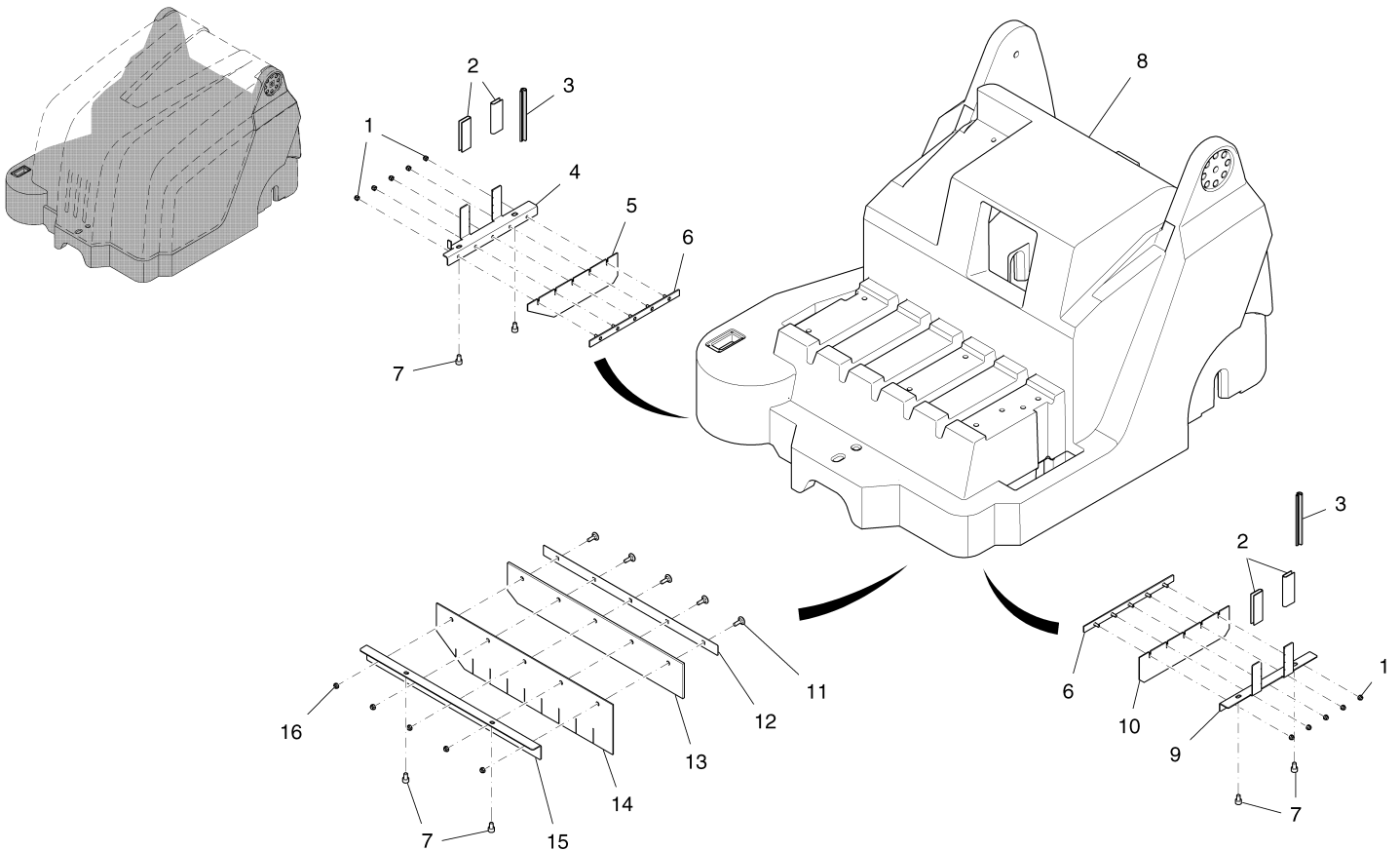
Table of Contents

General view Kleen Sweep 25W	4
Frame - Covering part 1	5
Frame - Covering part 2	7
Electric system	9
Steering handle	11
Filter system part 1	13
Filter system part 2	15
Chassis	17
Sweep roller with travel drive part 1	19
Sweep roller with travel drive part 2	23
Side brush with drive	25

General view Kleen Sweep 25W
Rev.B 06/12



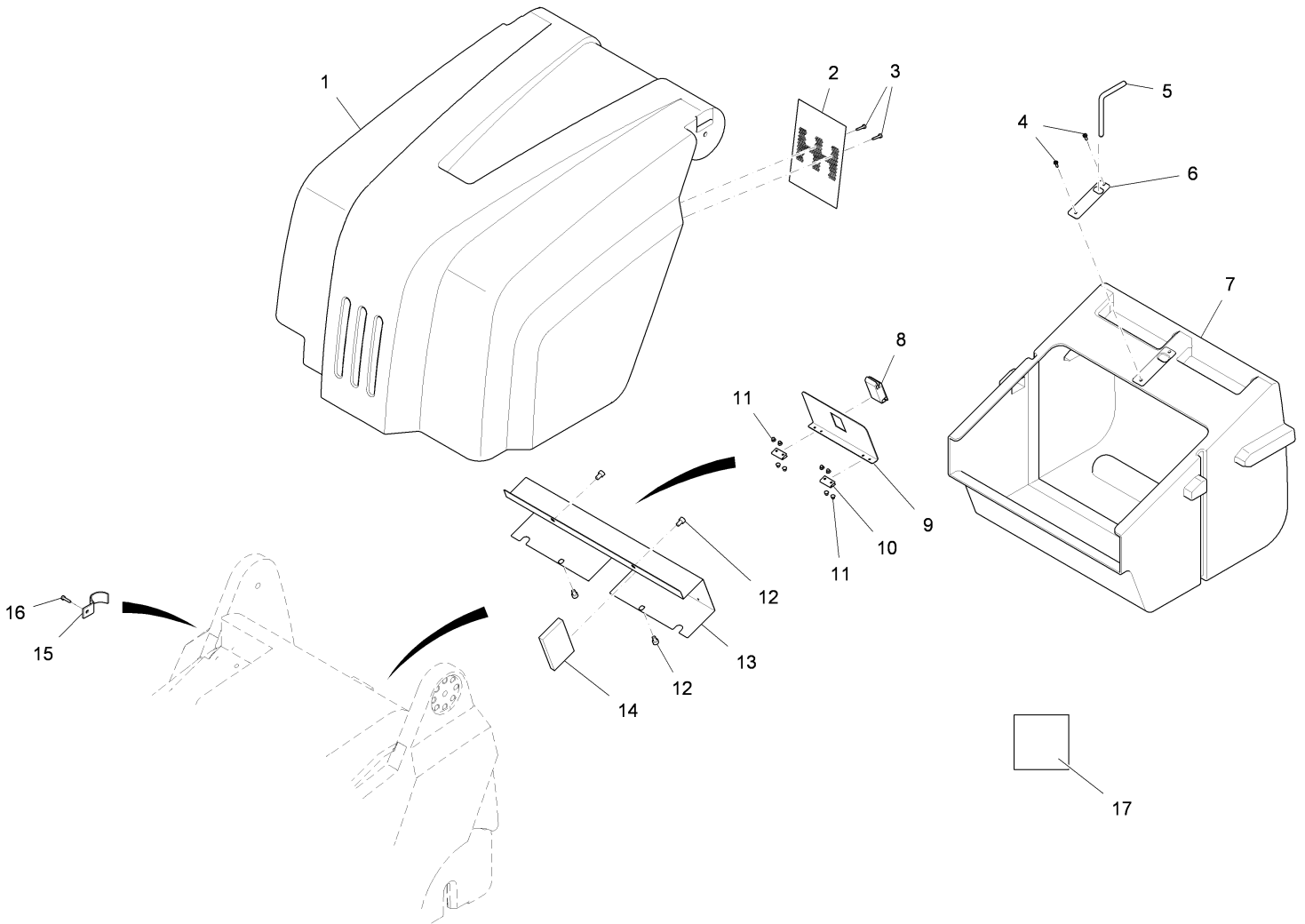
Frame - Covering part 1
Rev.B 06/12



Frame - Covering part 1 (99625820BT10)
 Rev.B 06/12

Item	Spare part number	Description	Qty.	Remarks
1	00133830	Hex. Nut	10	
2	01176630	Rest rubber	4	
3	01175910	Sealing profile	2	
4	01175980	Angle plate R.H.	1	
5	01176000	Rubber plate R.H.	1	
6	01176010	Sheet metal strip	2	
7	01275110	Socket head screw	6	
8	01175900	Frame grey	1	
9	01175970	Angle plate L.H.	1	
10	01175990	Rubber plate L.H.	1	
11	01275050	Round head screw	5	
12	01176040	Retainer	1	
13	01176050	Rubber plate front	1	
14	01176030	Rubber lip	1	
15	01176020	Mounting	1	
16	00051340	Hexagon nut	5	

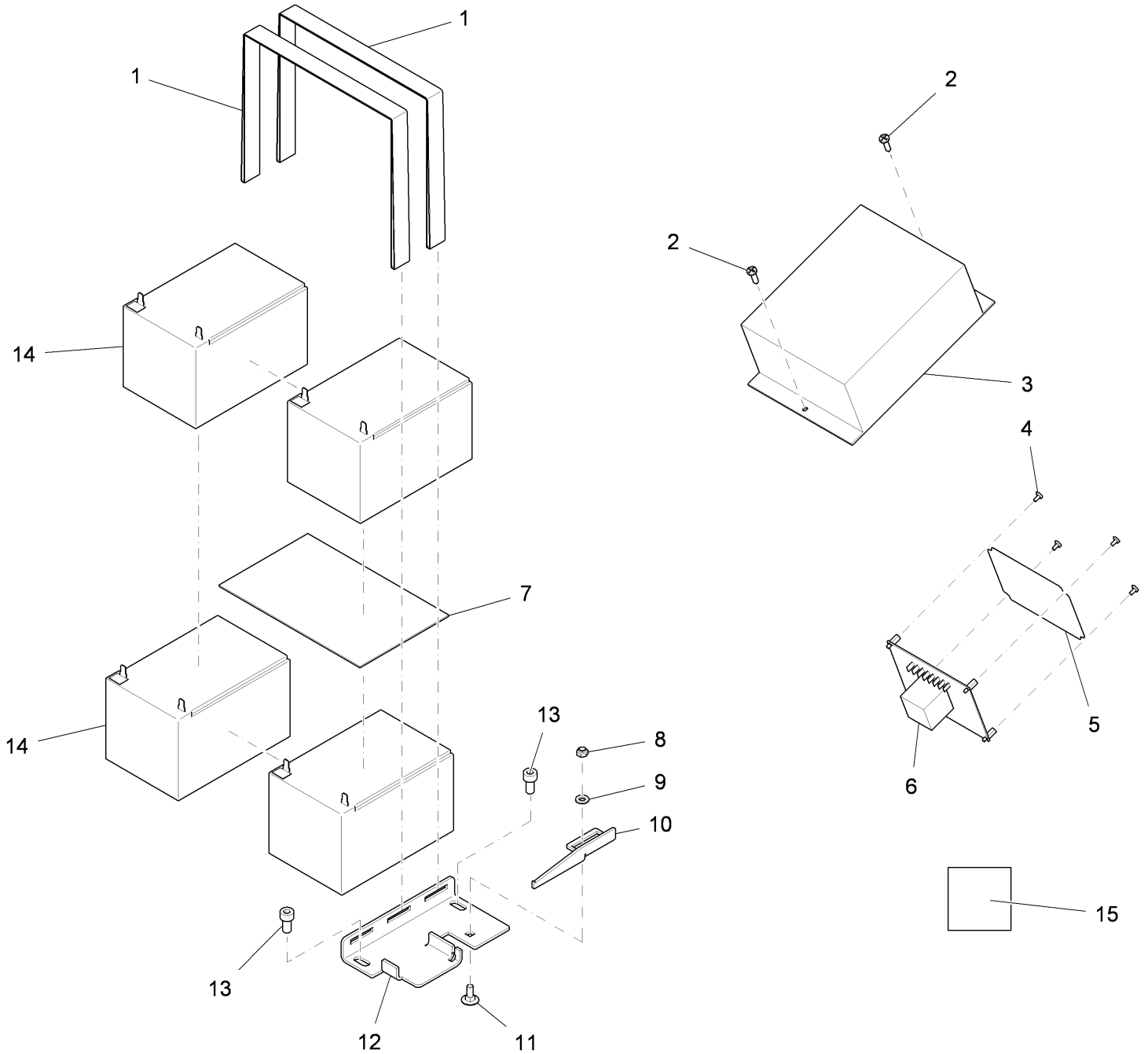
Frame - Covering part 2
Rev.B 06/12



Frame - Covering part 2 (99625821BT20)
 Rev.B 06/12

Item	Spare part number	Description	Qty.	Remarks
1	XXXXXXXXXX	no part-No. til yet	1	Hood
2	01176140	Air diffusor	1	
3	01176150	Mounting screw	2	
4	01274980	Blind rivet	2	
5	01175960	Lock lever	1	
6	01175950	Locking plate	1	
7	XXXXXXXXXX	no part-No. til yet	1	Dust tray
8	01176450	Catch	1	
9	01176390	Flap	1	
10	01176400	Hinge	2	
11	00504370	Blind rivet	8	
12	00133830	Hex. Nut	4	
13	01176370	Sheet metal	1	
14	01176380	Foam rubber gasket	1	
15	XXXXXXXXXX	no part-No. til yet	2	Insert for drive bracket
16	01274910	Mounting clip	1	
17	01176620	Wiring harness	1	

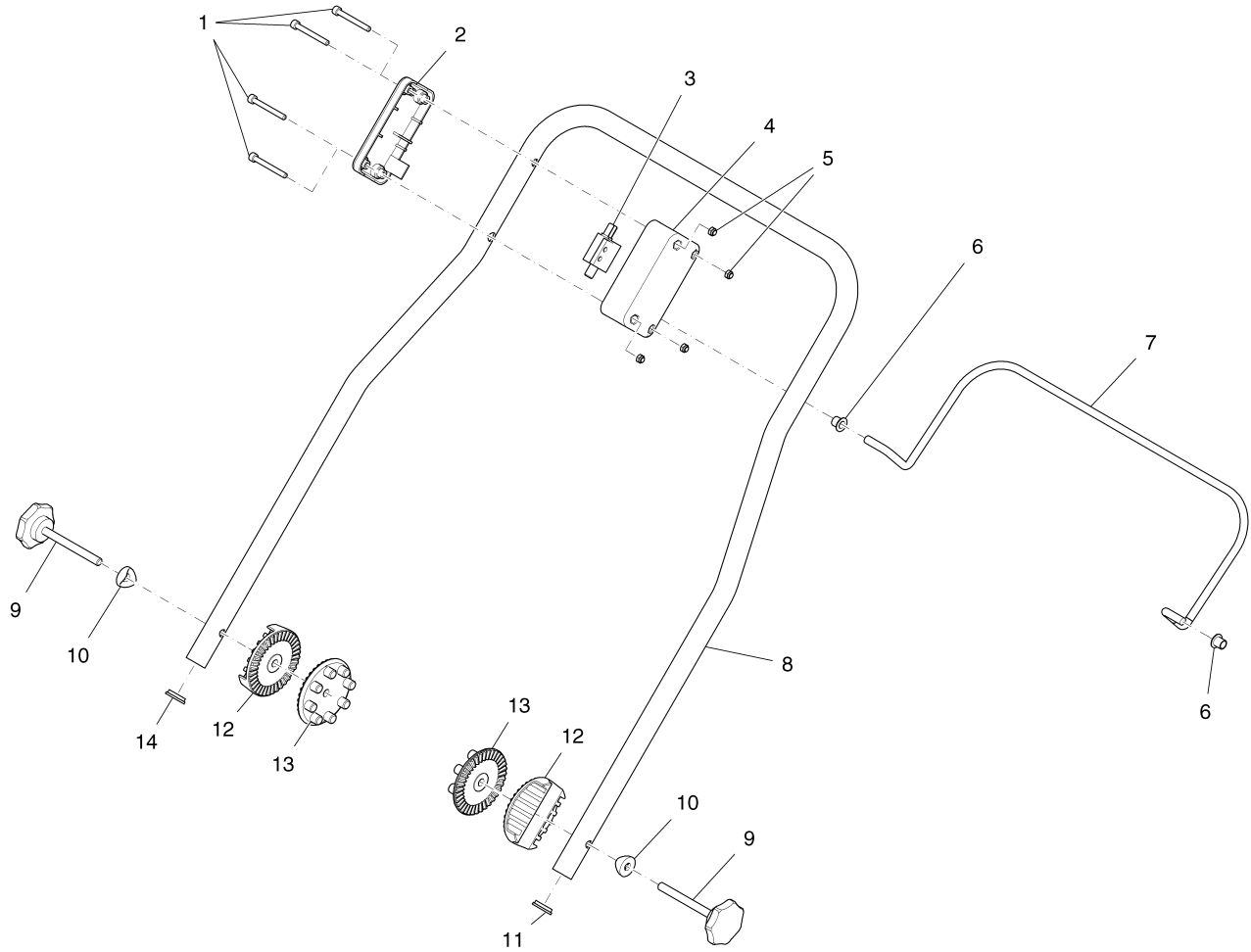
Electric system
Rev.B 06/12



Electric system (99625821BT30)
 Rev.B 06/12

Item	Spare part number	Description	Qty.	Remarks
1	01176540	Webbing	2	
2	00538900	Tapping screw	2	
3	01176610	Charger	1	
4	01275200	Lens head screw	4	
5	01176590	Control panel foil	1	
6	01176580	Control panel	1	
7	01176550	Mat	1	
8	00051520	Hexagon nut	1	
9	00053730	Washer	1	
10	01176560	Sheet metal	1	
11	00076540	Screw	1	
12	01176600	Mounting angle	1	
13	01275120	Socket head screw	2	
14	01177560	Battery 12 CED 12 Crown	4	
15	XXXXXXXXX	no part-No. til yet	1	Charging cable

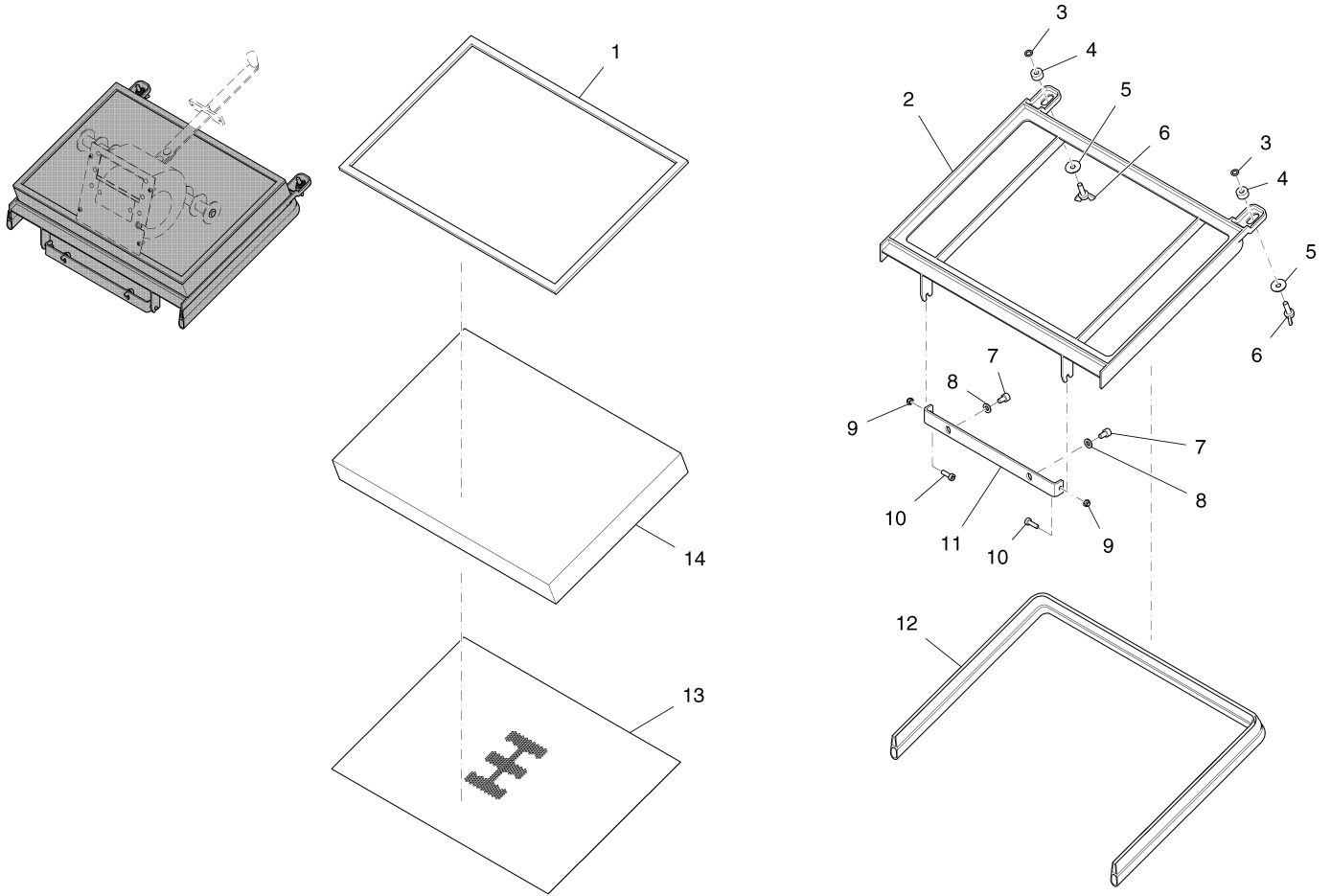
Steering handle
Rev.B 06/12



Steering handle (99625820BT40)
Rev.B 06/12

Item	Spare part number	Description	Qty.	Remarks
1	01275090	Socket head screw	4	
2	01176500	Mounting outer	1	
3	01176480	Limit switch	1	
4	01176490	Mounting inner	1	
5	00051340	Hexagon nut	4	
6	01176330	Slide bearing	2	
7	01176470	Yoke speed	1	
8	01176460	Bracket	1	
9	01176530	Star handle	2	
10	01176340	Washer	2	
11	01176350	Cap	1	
12	01176520	Hinge outer	2	
13	01176510	Hinge inner	2	
14	01176360	Cap	1	

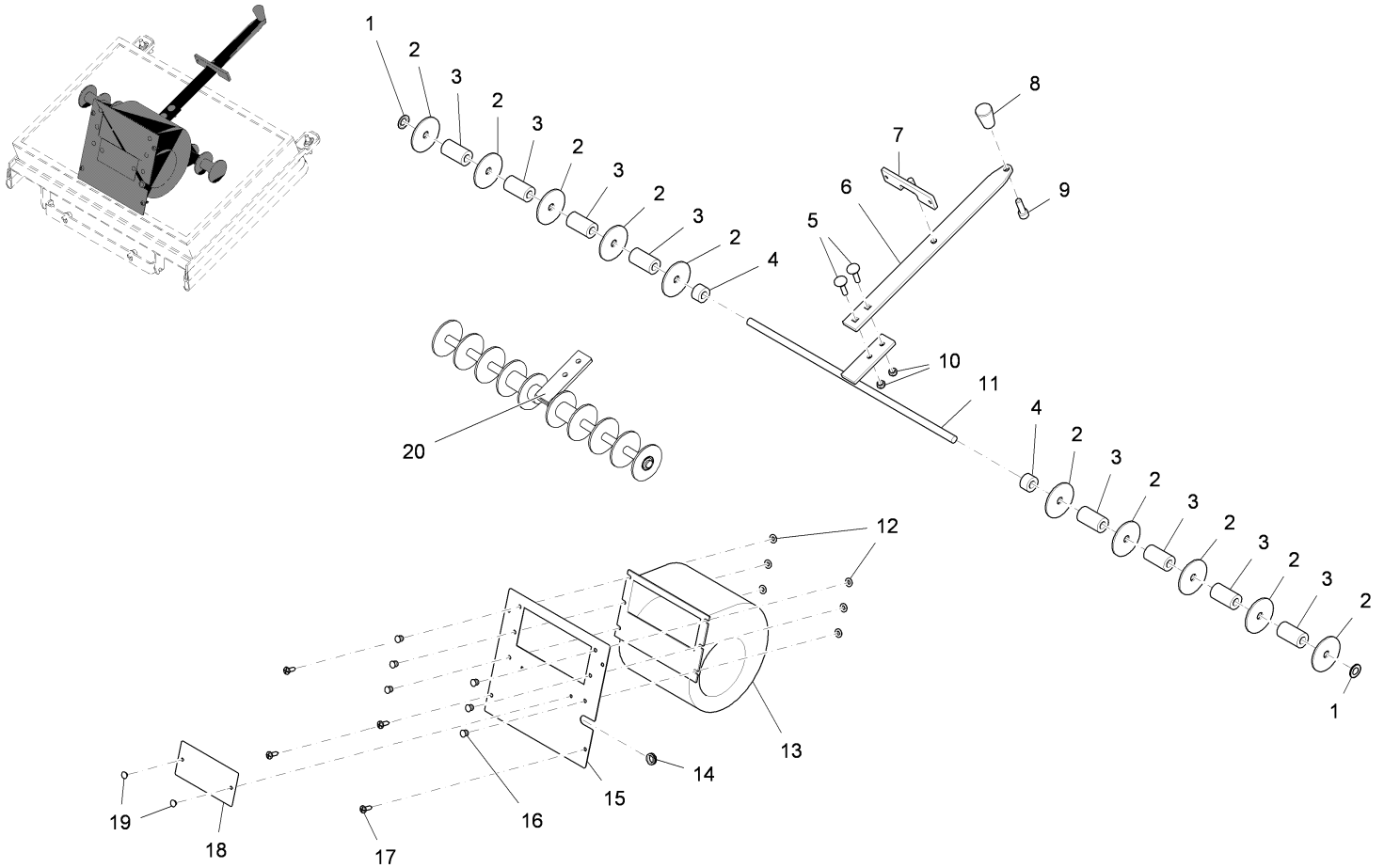
Filter system part 1
Rev.B 06/12



Filter system part 1 (99625820BT50)
 Rev.B 06/12

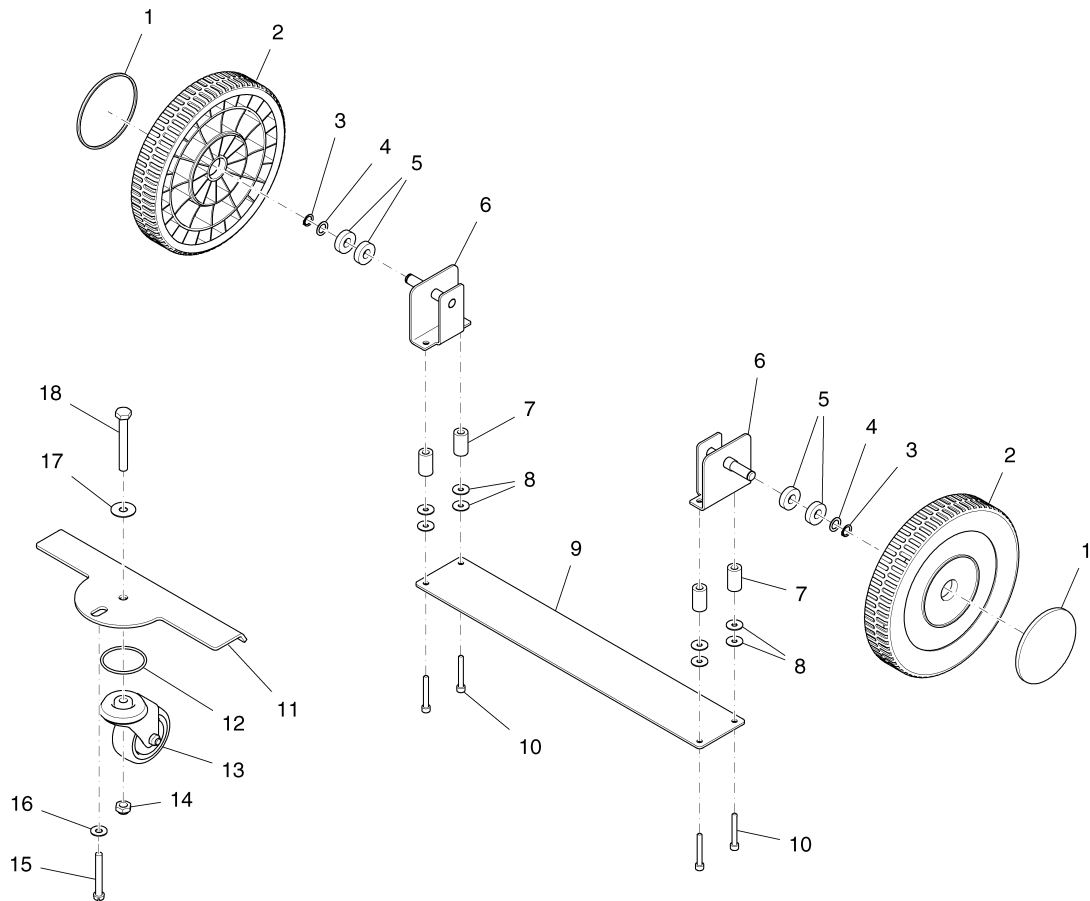
Item	Spare part number	Description	Qty.	Remarks
1	XXXXXXXXX	no part-No. til yet	1	Sealing strap for filter
2	01176080	Carrier frame	1	
3	01176090	O-ring	2	
4	01274920	Distance piece	2	
5	01274990	Washer	2	
6	01275040	Wing screw	2	
7	01275110	Socket head screw	2	
8	00053730	Washer	2	
9	00051340	Hexagon nut	2	
10	01275080	Socket head screw	2	
11	01176110	Mounting	1	
12	01176100	Gasket	1	
13	01176070	Perforated plate	1	
14	01176060	Filter	1	

Filter system part 2
Rev.B 06/12



Filter system part 2 (99625820BT60)
Rev.B 06/12

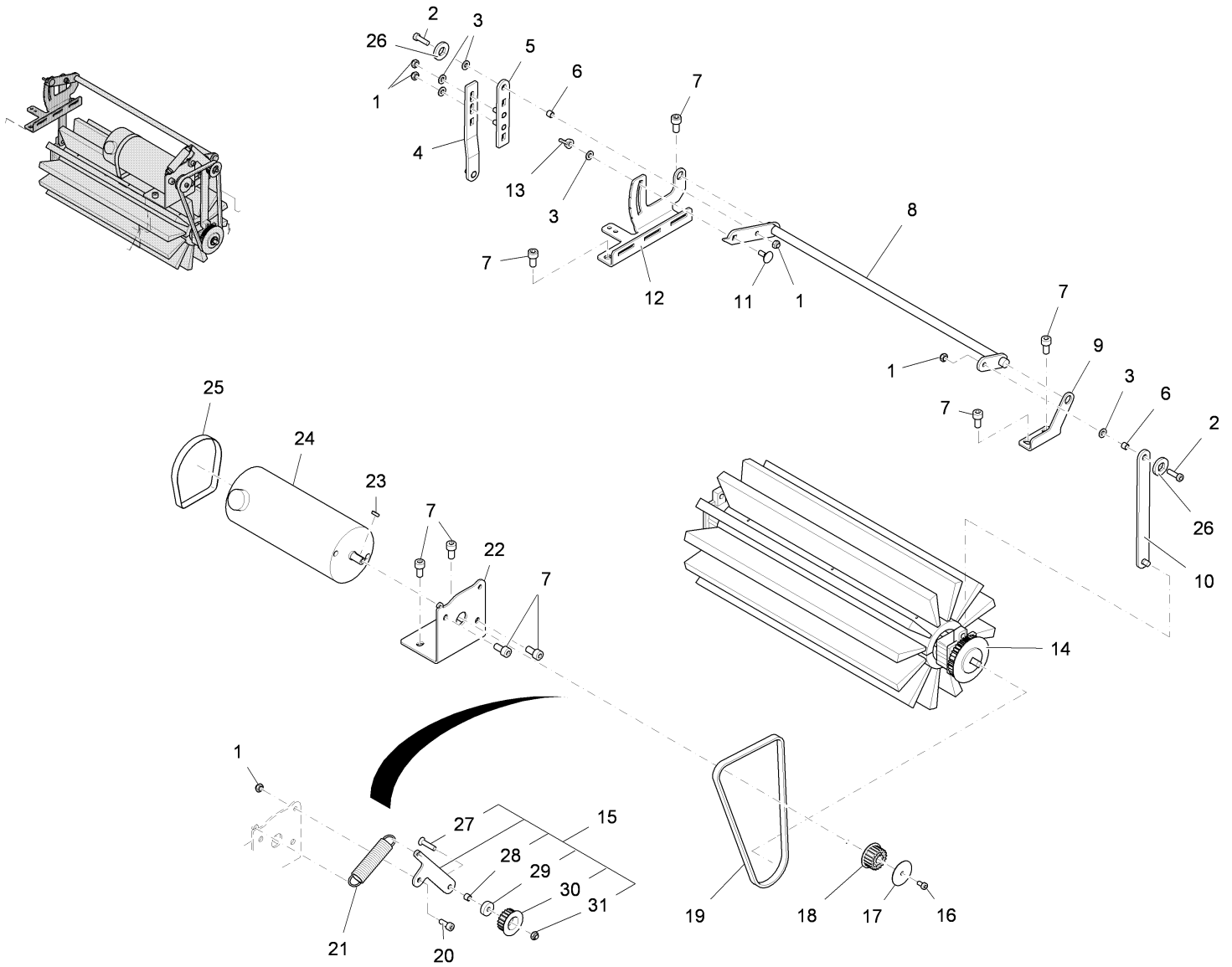
Item	Spare part number	Description	Qty.	Remarks
1	01176220	Lock	2	
2	01275230	Washer	10	
3	01176200	Spacer sleeve	8	
4	01176210	Spacer sleeve	2	
5	01275050	Round head screw	2	
6	01176160	Operating rod	1	
7	01176170	Shaker guide	1	
8	01176120	Knob	1	
9	01275100	Socket head screw	1	
10	00051340	Hexagon nut	2	
11	01176190	Shaker axle	1	
12	00053710	Washer	6	
13	01176230	Motor	1	
14	01176130	Rubber bushing	1	
15	01176240	Mounting plate	1	
16	01274980	Blind rivet	6	
17	01082690	Tapping screw	4	
18	XXXXXXXX	no part-No. til yet	1	Type plate
19	01274970	Blind rivet	2	
20	01176180	Shaker	1	



Chassis (99625820BT70)
Rev.B 06/12

Item	Spare part number	Description	Qty.	Remarks
1	01176300	Cap	2	
2	01176280	Wheel	2	
3	00072440	Circlip	2	
4	01275150	Shim ring	2	
5	01274880	Separable ball bearing	4	
6	01176310	Axle	2	
7	01176200	Spacer sleeve	4	
8	01274990	Washer	8	
9	01176270	Sheet metal rear	1	
10	01275130	Socket head screw	4	
11	01176260	Sheet metal front	1	
12	01274930	Sealing ring	1	
13	01176320	Steering roller	1	
14	00051500	Hexagon nut	1	
15	01275010	Socket head screw	1	
16	01275000	Washer	1	
17	01275160	Washer	1	
18	00107600	Hex.bolt	1	

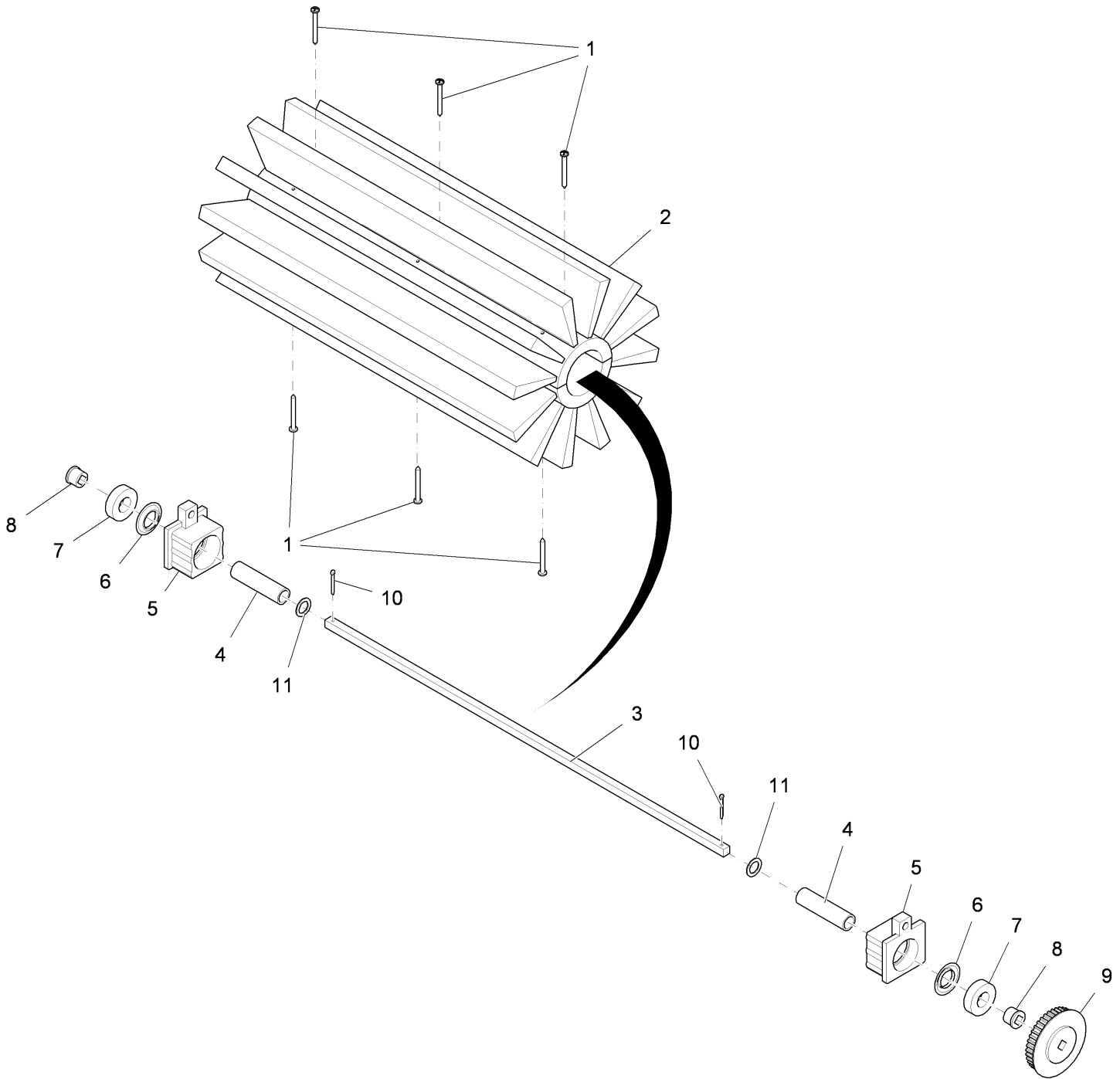
Sweep roller with travel drive part 1
 Rev.B 06/12



Sweep roller with travel drive part 1 (99625820BT80)
Rev.B 06/12

Item	Spare part number	Description	Qty.	Remarks
1	00051520	Hexagon nut	6	
2	00107170	Cylinder head screw	2	
3	00053730	Washer	5	
4	01275240	Lever lower part	1	
5	01275250	Lever upper part	1	
6	01176880	Bearing bush	2	
7	01275120	Socket head screw	8	
8	01176730	Adjusting axle	1	
9	01176860	Angle support L.H.	1	
10	01274940	Lever	1	
11	00076540	Screw	1	
12	01176850	Angle support R.H.	1	
13	00054020	Wing nut	1	
14	99625820BT80-1	Sweep roller system	Page 21	
15	01176690	Arm		
16	01275070	Socket head screw	1	
17	01176640	Washer	1	
18	01176670	Toothed belt pulley	1	
19	01176680	Toothed belt	1	
20	01275060	Socket head screw	1	
21	01176720	Tension spring	1	
22	01176660	Console	1	
23	01275170	Fitting key	1	
24	01176650	Drive motor	1	
25	00967760	Cable tie	1	
26	01177240	Rubber washer	2	
27	00551160	Countersunk screw	1	
28	01176710	Spacer sleeve	1	
29	01275210	Grooved ball bearing	1	
30	01176700	Idler	1	
31	00051520	Hexagon nut	1	

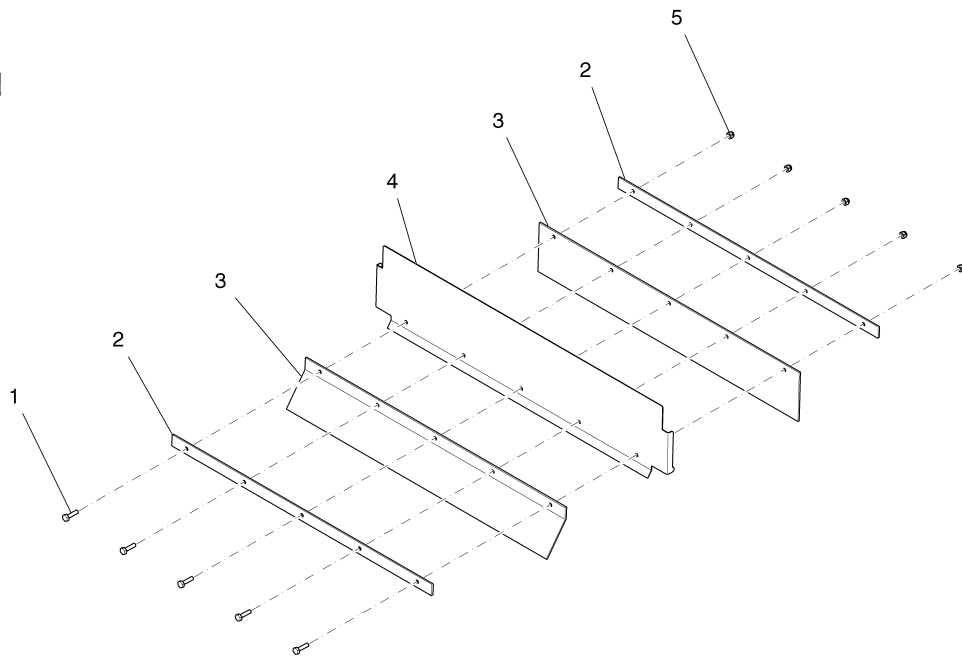
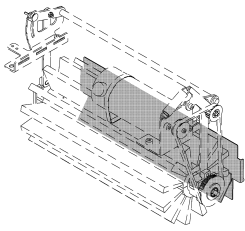
Sweep roller system
Rev.B 06/12



Sweep roller system (99625820BT80-1)
Rev.B 06/12

Item	Spare part number	Description	Qty.	Remarks
1	01275180	Tapping screw	6	
2	01176990	Sweeper roller	1	
3	01176760	Axle	1	
4	01176820	Distance tube	2	
5	01176780	Mounting	2	
6	01176810	NILOS-Ring	2	
7	01275220	Grooved ball bearing	2	
8	01176770	Bearing	2	
9	01176790	Toothed belt pulley	1	
10	01275020	Split pin	2	
11	01275150	Shim ring	2	

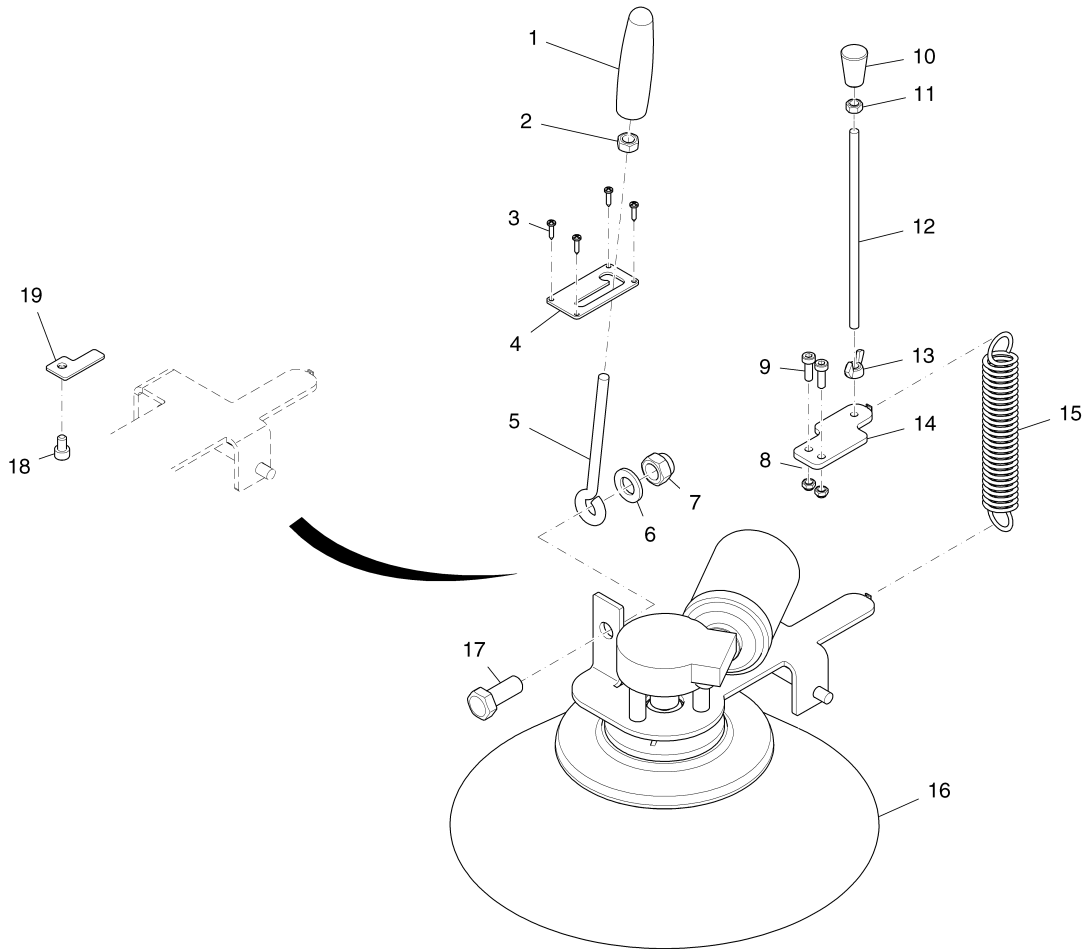
Sweep roller with travel drive part 2
Rev.B 06/12



Sweep roller with travel drive part 2 (99625820BT90)
Rev.B 06/12

Item	Spare part number	Description	Qty.	Remarks
1	00523520	Hex.bolt	5	
2	01176900	Retaining strip	2	
3	01176890	Rubber lip	2	
4	01176870	Flap sheet metal	1	
5	00133830	Hex. Nut	5	

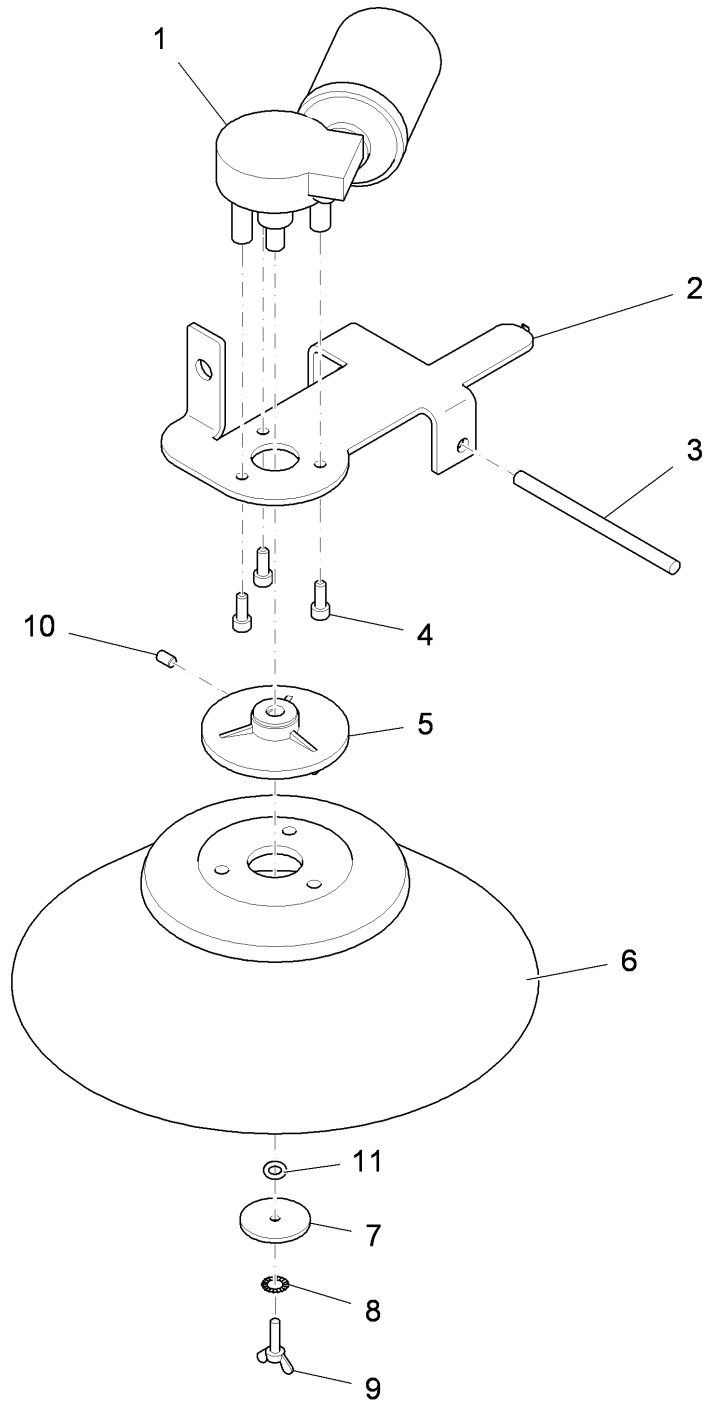
Side brush with drive
Rev.B 06/12



Side brush with drive (99625820BT100)
Rev.B 06/12

Item	Spare part number	Description	Qty.	Remarks
1	01176420	Handle	1	
2	00053350	Hexagon nut	1	
3	01275190	Tapping screw	4	
4	01176980	Sheet metal	1	
5	01176410	Screw	1	
6	00053770	Washer	1	
7	00051490	Hexagon nut	1	
8	00051340	Hexagon nut	2	
9	01275080	Socket head screw	2	
10	01176120	Knob	1	
11	00053330	Hexagon nut	1	
12	01176440	Threaded bolt	1	
13	00054020	Wing nut	1	
14	01176430	Sheet metal	1	
15	01176910	Tension spring	1	
16	99625820BT100-1	Side brush cpl. with retaining arm	Page	27
17	00053200	Hex.bolt	1	
18	01275110	Socket head screw	1	
19	01176950	Holding plate	1	

Side brush cpl. with retaining arm
Rev.B 06/12



Side brush cpl. with retaining arm (99625820BT100-1)
Rev.B 06/12

Item	Spare part number	Description	Qty.	Remarks
1	01176920	Gear motor	1	
2	01176930	Side broom arm	1	
3	01176940	Swivel axle	1	
4	01275110	Socket head screw	3	
5	01176960	Driver	1	
6	01176970	Side broom	1	
7	01274950	Washer	1	
8	00857150	Lock washer	1	
9	01275030	Wing screw	1	
10	01275140	Threaded pin	1	
11	01274960	O-ring	1	

Minuteman International Made Simple Commercial Limited Warranty

Minuteman International, Inc. warrants to the original purchaser/user that the product is free from defects in workmanship and materials under normal use. Minuteman will, at its option, repair or replace without charge, parts that fail under normal use and service when operated and maintained in accordance with the applicable operation and instruction manuals. All warranty claims must be submitted through and approved by factory authorized repair stations.

This warranty does not apply to normal wear, or to items whose life is dependent on their use and care, such as belts, cords, switches, hoses, rubber parts, electrical motor components or adjustments. Parts manufactured by Minuteman are covered by and subject to the warranties and/or guarantees of their manufacturers. Please contact Minuteman for procedures in warranty claims against these manufacturers.

Special warning to purchaser -- Use of replacement filters and/or prefilters not manufactured by Minuteman or its designated licensees, will void all warranties expressed or implied. A potential health hazard exists without original equipment replacement.

All warranted items become the sole property of Minuteman or its original manufacturer, whichever the case may be.

Minuteman disclaims any implied warranty, including the warranty of merchantability and the warranty of fitness for a particular purpose. Minuteman assumes no responsibility for any special, incidental or consequential damages.

This limited warranty is applicable only in the U.S.A. and Canada, and is extended only to the original user/purchaser of this product. Customers outside the U.S.A. and Canada should contact their local distributor for export warranty policies. Minuteman is not responsible for costs or repairs performed by persons other than those specifically authorized by Minuteman. This warranty does not apply to damage from transportation, alterations by unauthorized persons, misuse or abuse of the equipment, use of non-compatible chemicals, or damage to property, or loss of income due to malfunctions of the product.

If a difficulty develops with this machine, you should contact the dealer from whom it was purchased.

This warranty gives you specific legal rights, and you may have other rights which vary from state to state. Some states do not allow the exclusion or limitation of special, incidental or consequential damages, or limitations on how long an implied warranty lasts, so the above exclusions and limitations may not apply to you.

Cord Electric Group Three years parts, two years labor, ninety days travel (Not to exceed two hours)

Exceptions..... Port-A-Scrub, one year parts, six months labor
MPV 13, one year parts
V-14, one year parts, one year labor
MPV 14 and 18, two years parts, one year labor
RapidAir blower, one year parts, one year labor
Explosion-Proof Vacuum, one year parts, one year labor
X12 and X12H, one year parts, one year labor
TRS 14, one year parts, one year labor

Battery Operated Group..... Three years parts, two years labor, ninety days travel
(Not to exceed two hours)

Exceptions..... Sweepers, one year parts, one year labor, ninety days travel
(Not to exceed two hours)

Internal Combustion Group.... One year parts, one year labor, ninety day travel
(Not to exceed two hours)

Battery Chargers..... One year replacement

Replacement Parts..... Ninety days

Batteries..... 0-3 months replacement, 4-12 months pro-rate

Polypropylene Plastic Tanks... Ten years, no additional labor