

**Parts Manual
Kleen Sweep 40 R
Rider Sweeper**

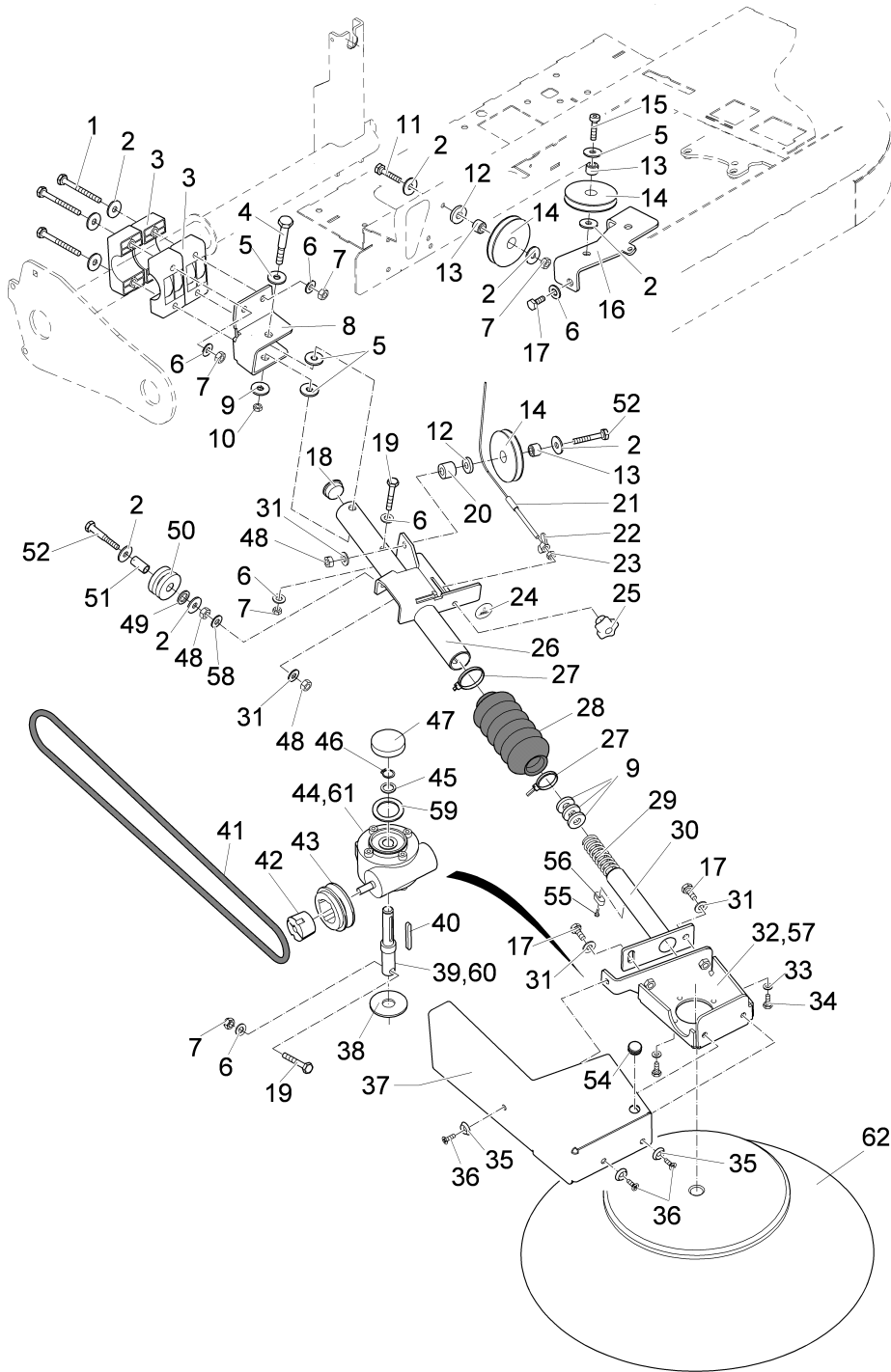
For Safety When Servicing or Maintaining Machine

- Stop on level surface.
- Disconnect the power to the machine by pulling the red Battery Connector located under the recovery tank near the batteries.
- Avoid moving parts. Do not wear loose jackets, shirts, or sleeves when working on machine.
- Avoid contact with battery acid. Battery acid can cause burns. When working on or around batteries, wear protective clothing and safety glasses. Remove metal jewelry. Do not lay tools or metal objects on top of batteries.
- Do not clean machine with a pressure washer.
- Authorized personnel must perform repairs and maintenance. Use Minuteman supplied replacement parts.

Table of Contents

Side brush.....	4
Front wheel drive.....	8
Accelerator B.....	12
Steering.....	16
Covering - Seat	20
Motorgroup - Chassis.....	24
Electrical equipment Kleen Sweep 40R.....	26
Electrical equipment Jonas 900 E (from ser.no.: 6502.20.1.2179.2)	40
Group of main sweeper roller	50
Manipulation for brush apron - Lifter for sweeping	54
Dust extraction.....	58
Dirt hopper - Dirt hopper lifter	68
Rear wheel (massive) - Brake - Brake pedal.....	72
Lables	78

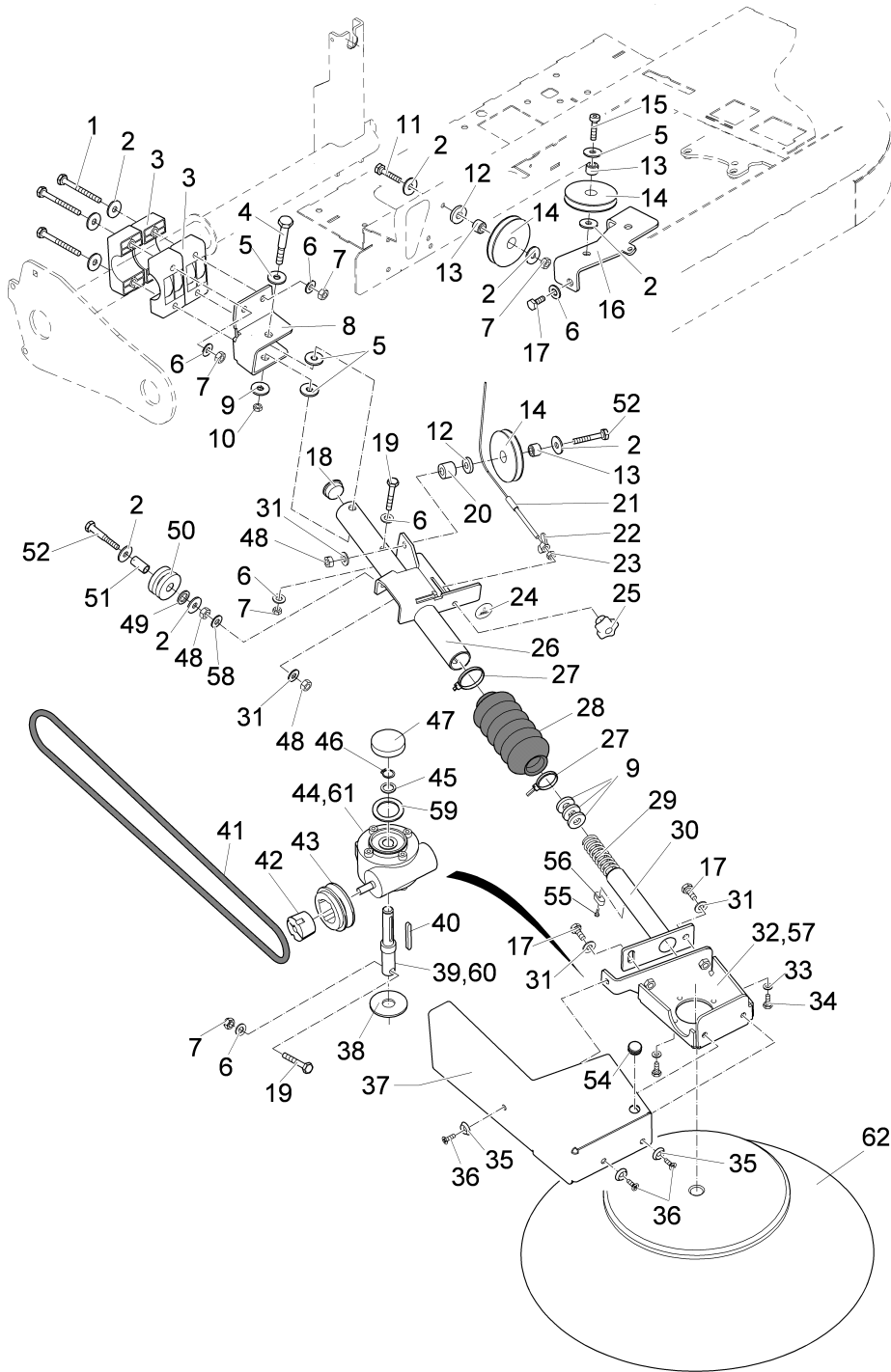
Side brush
Rev.B 05/11



Side brush (97077184)
Rev.B 05/11

Item	Spare part number	Description	Qty.	Remarks
1	00557600	Hex.bolt	4	
2	00042900	Washer	11	
3	01130610	Bearing	4	
4	00041810	Hex.bolt	1	
5	00046520	Washer	3	
6	00053750	Washer	9	
7	00051510	Hexagon nut	7	
8	01130620	Retainer R.H.	1	
9	00855380	Washer	4	
10	00132880	Hexagon nut	1	
11	00054690	Hexagon screw	1	
12	00695300	Washer	2	
13	00974400	Bushing	3	
14	00521270	Roller	3	
15	00537390	Cylinder head screw	1	
16	01130630	Holder	1	
17	00553690	Hex.bolt	2	
18	00152850	Drain plug	1	
19	00041600	Hex.bolt	2	
20	00029170	Bushing	1	
21	01130640	Rope	1	
22	00054020	Wing nut	1	
23	00053330	Hexagon nut	1	
24	01130650	Decal SIDE BROOM ADJUSTMENT	1	
25	00853730	Star handle	1	
26	01130660	Side brush	1	
27	00967760	Cable tie	2	
28	01130670	Bellows	1	
29	00701250	Cyl.compression spring	1	
30	01130680	Holder	1	
31	00740090	Detent edged washer	4	
32	01132360	Gear support R.H.	1	until end of nov. 2007
33	00740280	Washer	4	
34	00104500	Hexagon screw	4	

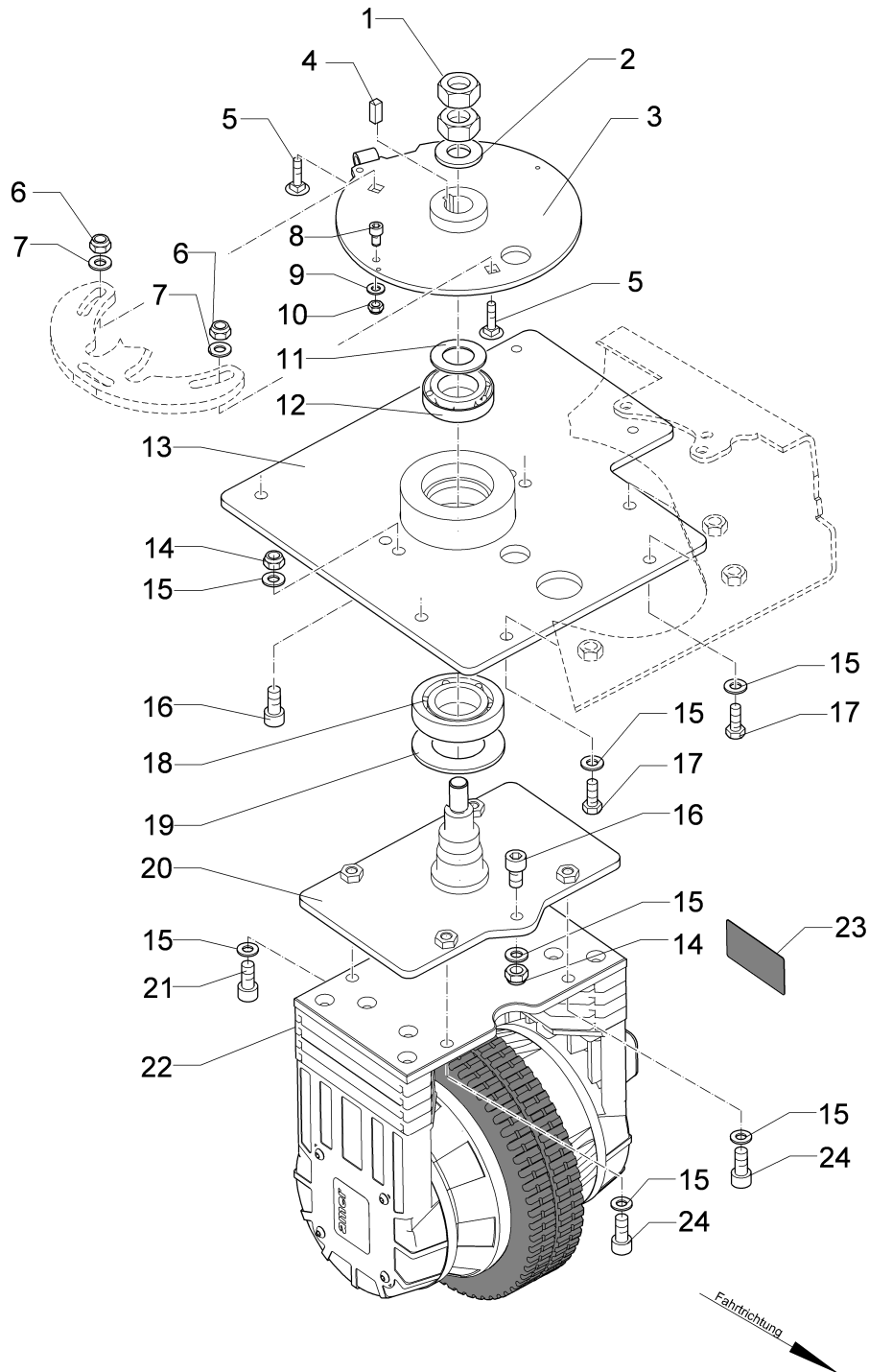
Side brush
Rev.B 05/11



Side brush (97077184)
Rev.B 05/11

Item	Spare part number	Description	Qty.	Remarks
35	00157690	Annular plate	3	
36	00154680	Countersunk screw	3	
37	01132370	covering	1	
38	00954200	Washer	1	
39	01130700	Drive shaft	1	until end of nov. 2007
40	00072940	Feather key	1	
41	01130710	Narrow drive belt	1	
42	01130720	Bush	1	
43	01130730	Belt pulley	1	
44	01130740	Gear	1	until end of nov. 2007
45	00020610	Supporting ring	1	
46	00022440	Retaining ring	1	
47	01131530	Cap	1	
48	00053350	Hexagon nut	3	
49	00156720	Washer	1	
50	00740930	Roller	1	
51	00855240	Bushing	1	
52	00138180	Hex.bolt	2	
54	00740360	Cable sleeve	1	
55	00695680	Fillister-head screw	1	
56	01132380	fitted key	1	
57	01135580	Gear holder R.H.	1	from begin of dec. 2007
58	00047990	Disk wheel	1	
59	00155120	Supporting ring	1	
60	01135640	Drive shaft	1	from begin of dec. 2007
61	01135550	Worm gear	1	from begin of dec. 2007
62	99651400	Spare side broom PES	1	

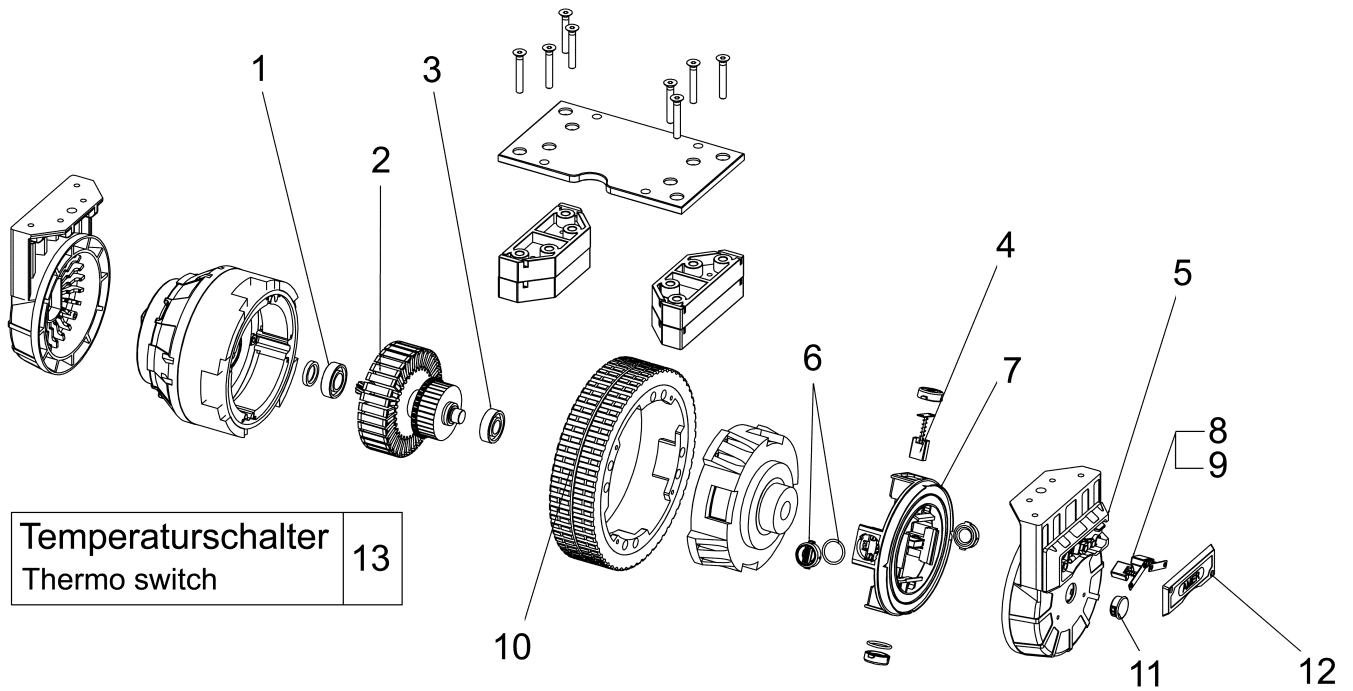
Front wheel drive
Rev.B 05/11



Front wheel drive (97077333)
Rev.B 05/11

Item	Spare part number	Description	Qty.	Remarks
1	00137290	Hex. Nut	2	
2	00053790	Washer	1	
3	01130010	Guidance disk	1	
4	00747530	Feather key	1	
5	01130020	Cup head square neck bolt	2	
6	00051500	Hexagon nut	2	
7	00046520	Washer	2	
8	00136910	Cylinder head screw	2	
9	00053730	Washer	2	
10	00051520	Hexagon nut	2	
11	01130030	Nilos ring	1	
12	00048410	Cone roller bearing	1	
13	03002980	Front wheel bearing plate	1	
14	00053360	Hexagon nut	3	
15	00870090	Detent edged washer	13	
16	00135030	Socket head screw	3	
17	00053310	Hexagon screw	6	
18	00137930	Cone roller bearing	1	
19	00746270	Ring	1	
20	03002990	Wheel carrier	1	
21	00504250	Socket head screw	2	
22	01130040	Wheel hub drive	Page	10
23	03003000	Transparency	1	
24	00125430	Cylinder head screw	2	

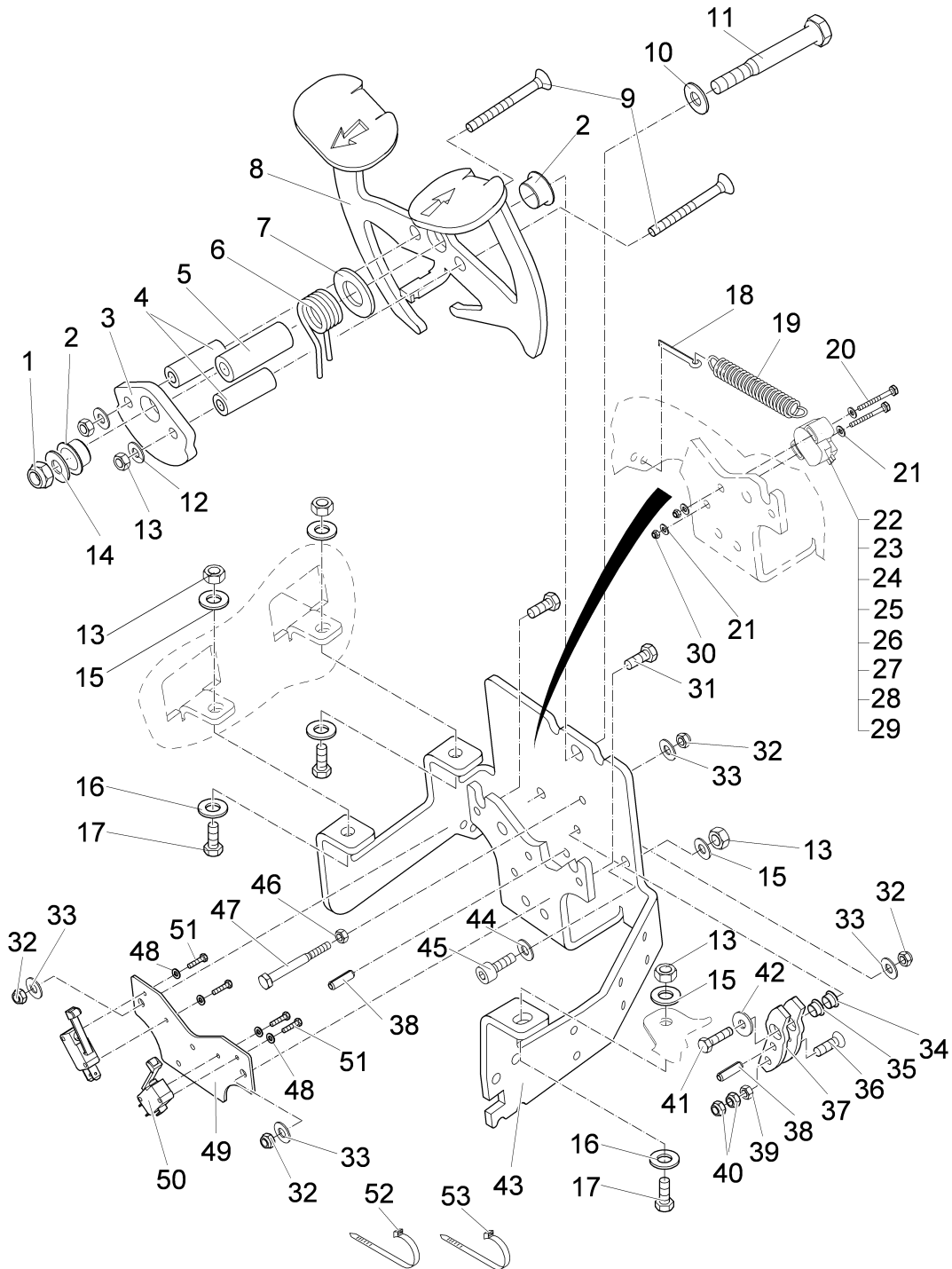
Wheel hub drive
 Rev.B 05/11



Wheel hub drive (01130040)
 Rev.B 05/11

Item	Spare part number	Description	Qty.	Remarks
1	XXXXXXXX	no part-No. til yet	1	Ball bearing 6004 ZZ
2	XXXXXXXX	no part-No. til yet	1	Armature
3	XXXXXXXX	no part-No. til yet	1	Ball bearing 6203 ZZ
4	01073960	Carbon brush	4	
5	XXXXXXXX	no part-No. til yet	1	Connection box
6	01073950	Plug	1	
7	XXXXXXXX	no part-No. til yet	1	Brush holder ring
8	01131690	Carbon brush	2	
9	01131680	Carbon brush holder	2	
10	01073970	Wheel	1	
11	01131700	Drain plug	1	
12	01135520	Cap	1	
13	01135530	Temperature switch	1	

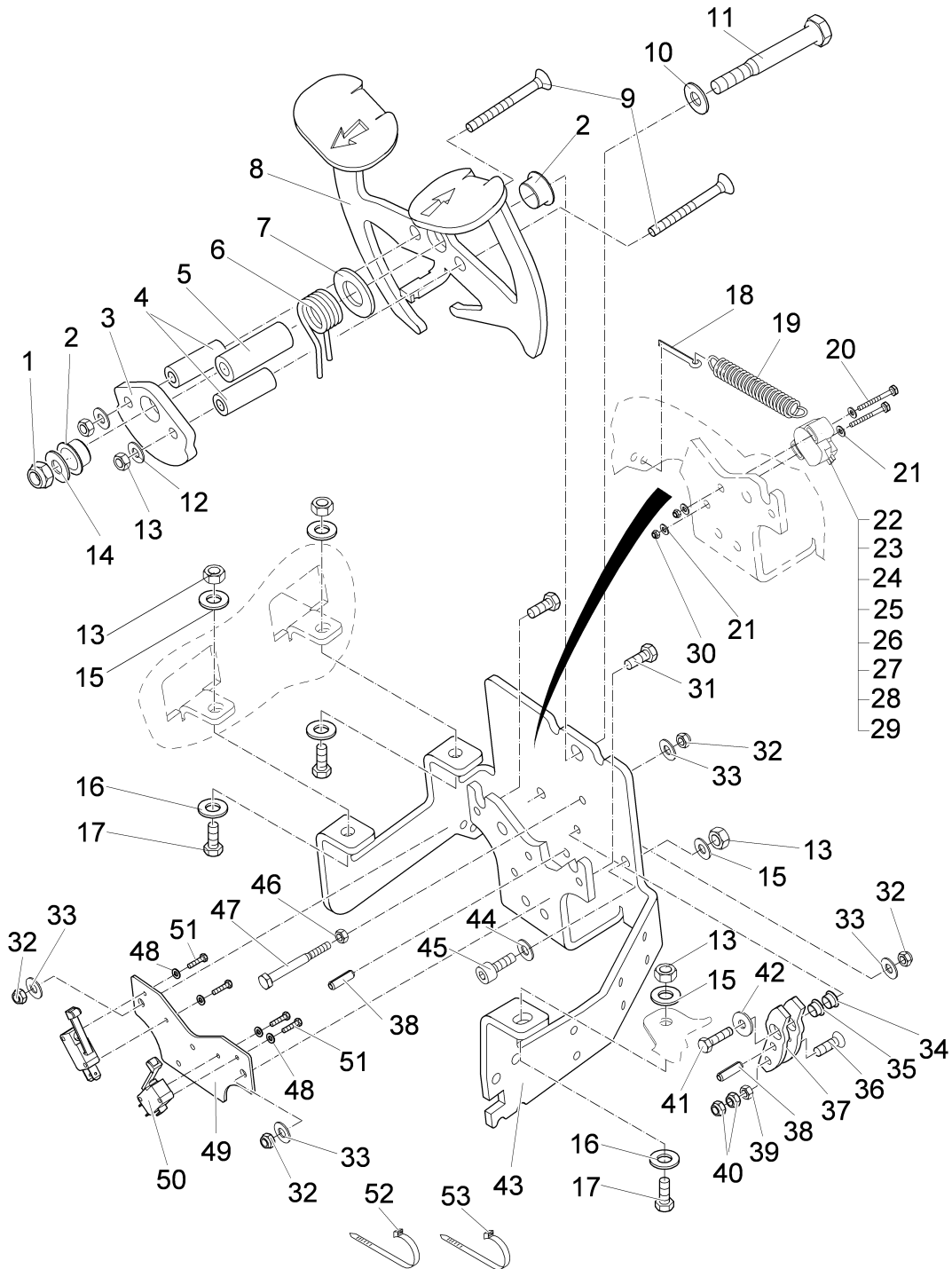
Accelerator B
Rev.B 05/11



Accelerator B (97077374)
Rev.B 05/11

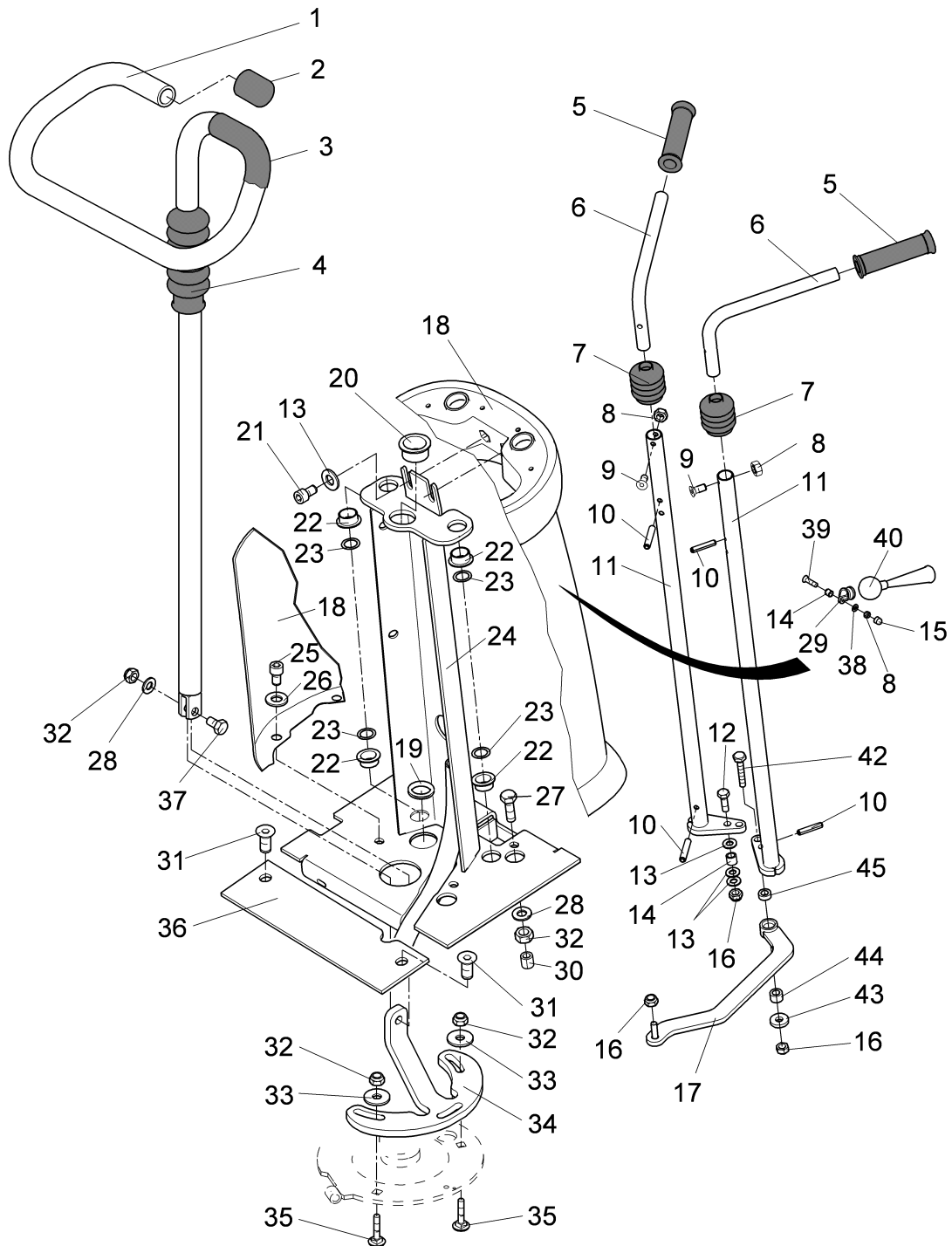
Item	Spare part number	Description	Qty.	Remarks
1	00051490	Hexagon nut	1	
2	01130490	Bush	2	
3	01130500	Plate	1	
4	01130510	Bush	2	
5	01130520	Bush	1	
6	01130530	Spring	1	
7	00154550	Washer	1	
8	01130540	Accelerator	1	
9	01130550	Countersunk screw	2	
10	00875950	Washer	1	
11	00105390	Hex.bolt	1	
12	00740090	Detent edged washer	2	
13	00053350	Hexagon nut	5	
14	00053770	Washer	1	
15	00740310	Washer	3	
16	00053750	Washer	3	
17	00077110	Hexagon screw	3	
18	00054890	Cotter pin	1	
19	01130560	Pull spring	1	
20	01130570	Hex.bolt	2	
21	00874720	Washer	4	
22	00975500	Turn angle transmitter	1	
23	03008790	Backing film	1	
24	01006210	Pin contact	6	
25	01006190	Seal	6	
26	03003250	Pin housing	1	
27	00559670	Case	4	
28	00083640	Plastic cover	4	
29	03003260	Line	1520mm	
30	00133830	Hex. Nut	2	
31	00053020	Hexagon screw	2	
32	00051520	Hexagon nut	4	
33	00053730	Washer	4	
34	01130580	Bush	1	

Accelerator B
Rev.B 05/11



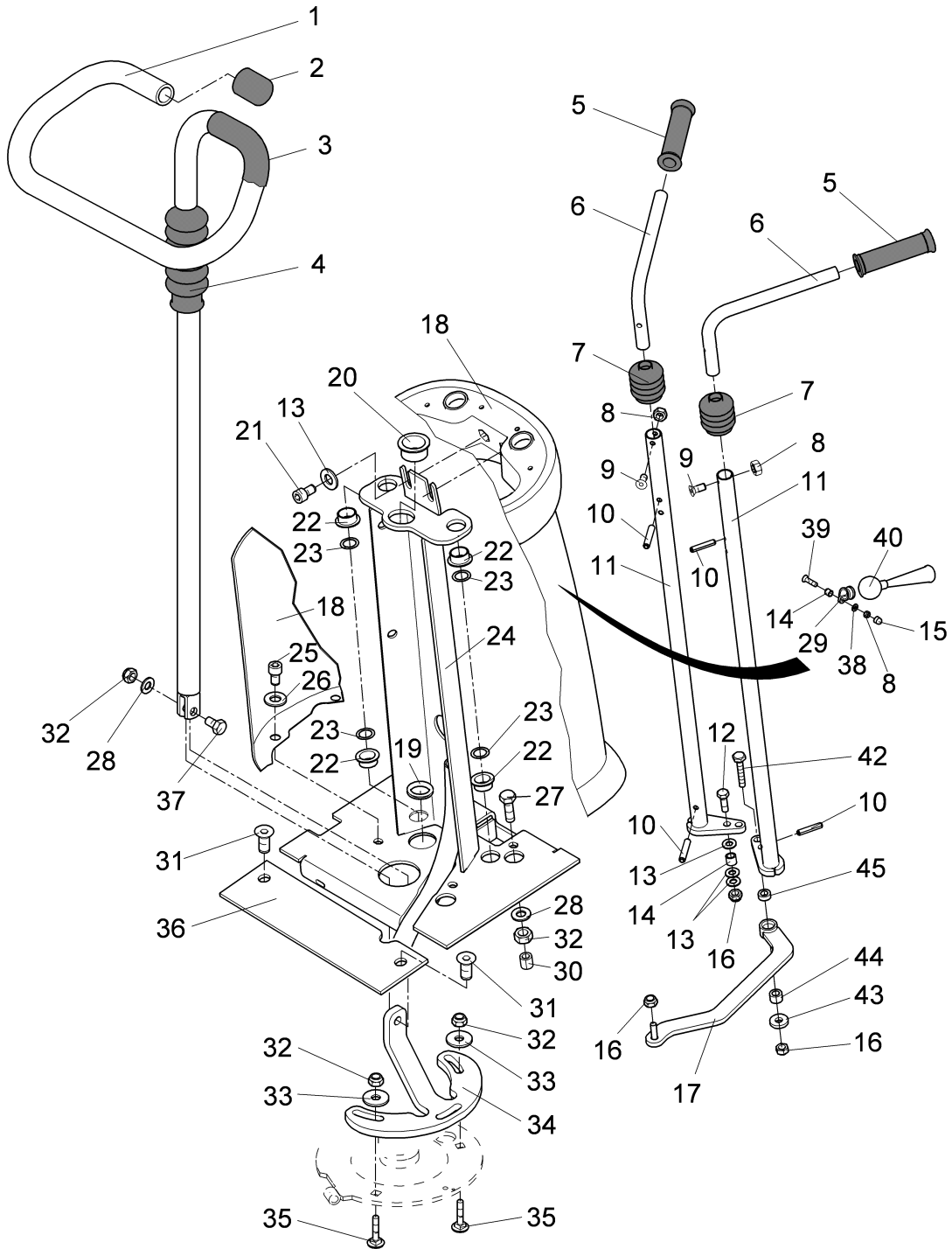
Accelerator B (97077374)
 Rev.B 05/11

Item	Spare part number	Description	Qty.	Remarks
35	01130590	Bush	1	
36	01073650	Countersunk screw	1	
37	01130600	Plate	2	
38	00046440	Dowel pin	2	
39	00053320	Hex. Nut	1	
40	00051340	Hexagon nut	2	
41	00053040	Hex.bolt	1	
42	00135120	Washer	1	
43	03003270	Angel	1	
44	00924700	Washer	1	
45	00045540	Cylinder head screw	2	
46	00053330	Hexagon nut	1	
47	00737680	Hex.bolt	1	
48	00553740	Washer	4	
49	01113350	Sheet metal	1	
50	00975510	Micro switch	2	
51	00022180	Hex.bolt	4	
52	00967760	Cable tie	2	
53	00121150	Cable tie	4	



Steering (97079149)
Rev.B 05/11

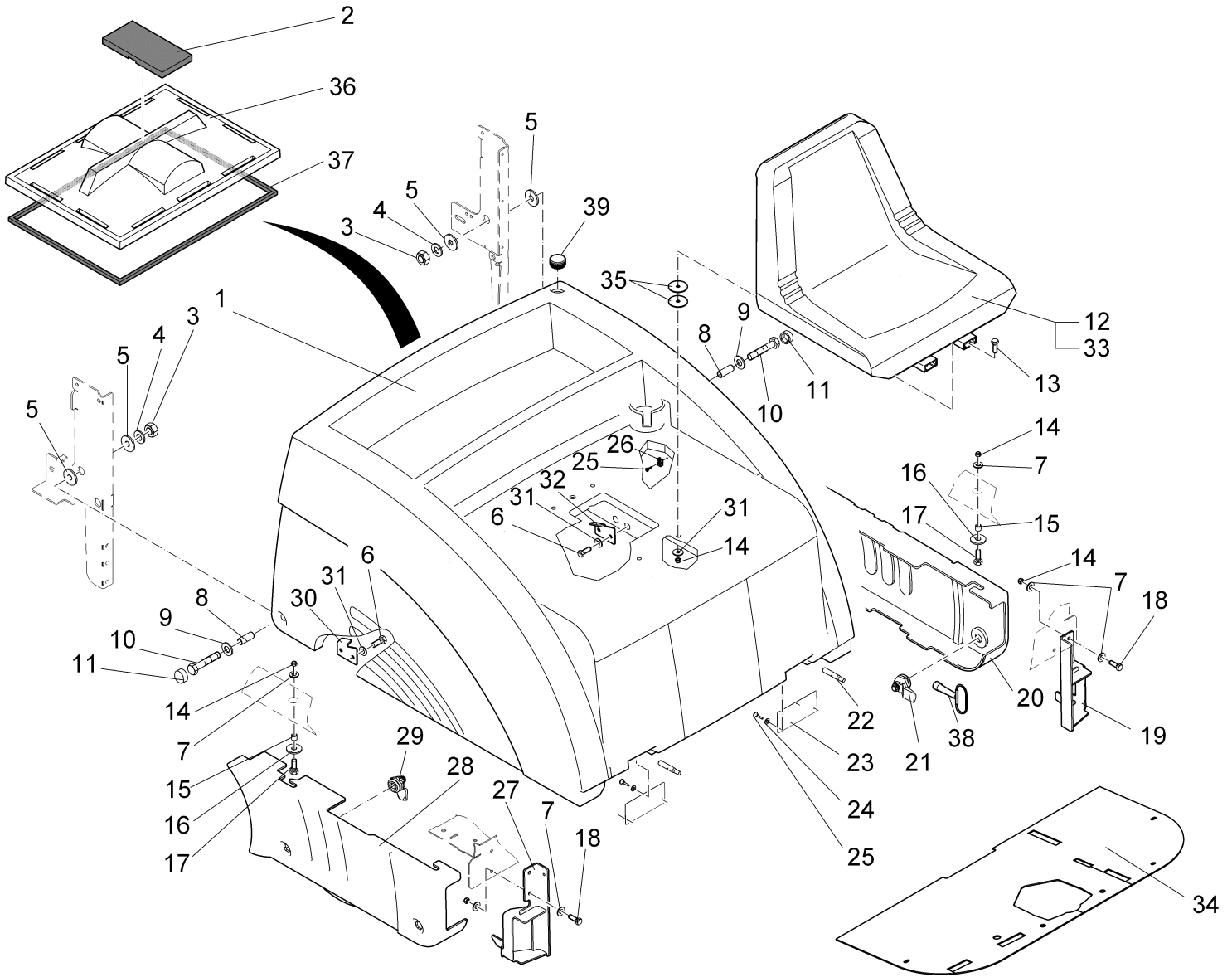
Item	Spare part number	Description	Qty.	Remarks
1	01130360	Steering bar	1	
2	01130370	Protective cap	1	
3	01133490	Soft-grip-hose	910mm	
4	01054880	Bellows	1	
5	01130400	Handle	2	
6	01130410	Arc	2	
7	01130420	Bellows	2	
8	00051520	Hexagon nut	4	
9	01093180	Countersunk screw	2	
10	00044160	Dowel pin	4	
11	01130430	Lever	2	
12	00054690	Hexagon screw	1	
13	00053750	Washer	5	
14	00733400	Spacer sleeve	2	
15	00525910	Lens cap	1	
16	00051510	Hexagon nut	3	
17	01130440	Sheet metal	1	
18	01130450	Steering column	1	
19	00521100	Cable sleeve	1	
20	01130460	Slide bearing bush	1	
21	00154410	Cylinder head screw	2	
22	01130470	Slide bearing bush	4	
23	00046430	Adjusting washer	4	
24	03003230	Carrier	1	
25	00045540	Cylinder head screw	4	
26	00740090	Detent edged washer	4	
27	00053160	Hexagon screw	2	
28	00053760	Washer	2	
29	00130250	Pipe clamp	1	
30	01090960	Hose PVC	2x30mm	
31	00059080	Countersunk screw	2	
32	00051500	Hexagon nut	5	
33	00046520	Washer	2	
34	01130480	Supporting plate	1	



Steering (97079149)
Rev.B 05/11

Item	Spare part number	Description	Qty.	Remarks
35	01130020	Cup head square neck bolt	2	
36	01135560	Plate	1	
37	00053170	Hexagon screw	1	
38	00053730	Washer	1	
39	00529260	Countersunk screw	1	
40	01132390	bulb horn	1	
42	00133700	Hexagon screw	1	
43	00695300	Washer	1	
44	01135600	Slide bearing bush	1	
45	01135590	Slide bearing bush	1	

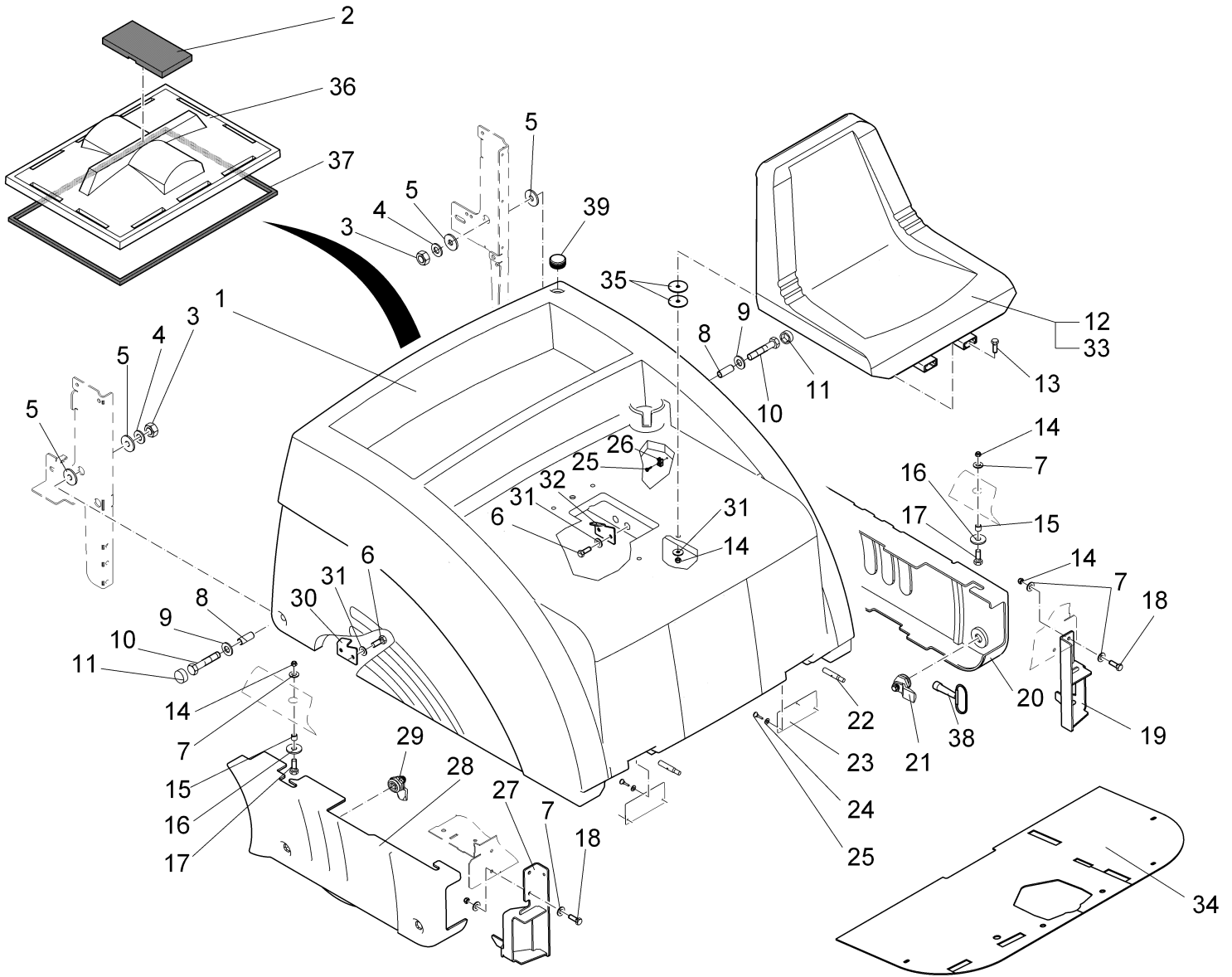
Covering - Seat
Rev.B 05/11



Covering - Seat (97089890)
Rev.B 05/11

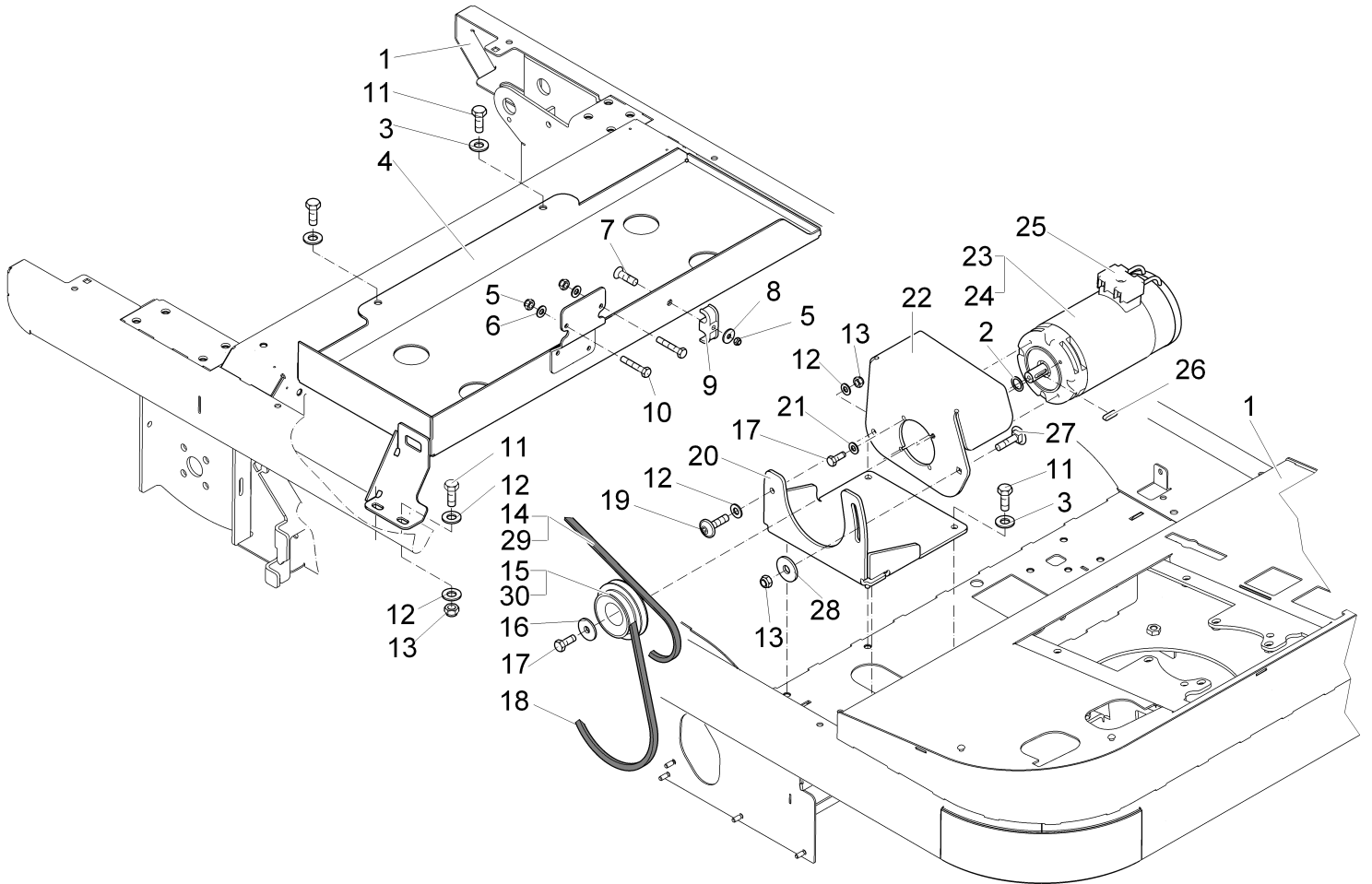
Item	Spare part number	Description	Qty.	Remarks
1	01075610	Covering Kleen Sweep 40R claret	1	
2	01134810	Insulation mat	1	
3	00053370	Hexagon nut	2	
4	00875950	Washer	2	
5	00132610	Washer	4	
6	00536320	Hex.bolt	17	
7	00053750	Washer	24	
8	01130230	Bushing	2	
9	00127290	Washer	2	
10	00693010	Hex.bolt	2	
11	01031540	protection cap	2	
12	01130240	Seat	1	
13	00133700	Hexagon screw	4	
14	00051510	Hexagon nut	12	
15	00733400	Spacer sleeve	4	
16	00042900	Washer	4	
17	00053110	Hexagon screw	4	
18	00053090	Hexagon screw	4	
19	01133410	Retainer L.H.	1	
20	01130250	Covering, L.H.	1	
21	00121730	Sash fastener	2	
22	00853700	Shaftscrew	2	
23	03003110	Plate	2	
24	00053710	Washer	6	
25	00961490	Self tapping screw	13	
26	00780710	Socket	8	
27	01133450	Retainer R.H.	1	
28	01130260	Covering, R.H.	1	
29	01130270	Casement fastener	2	
30	01130280	Holder, R.H.	1	
31	00740310	Washer	8	
32	01130290	Holder, L.H.	1	
33	01134330	seat contact switch	1	
34	01133440	Rubber mat	1	

Covering - Seat
Rev.B 05/11



Covering - Seat (97089890)
Rev.B 05/11

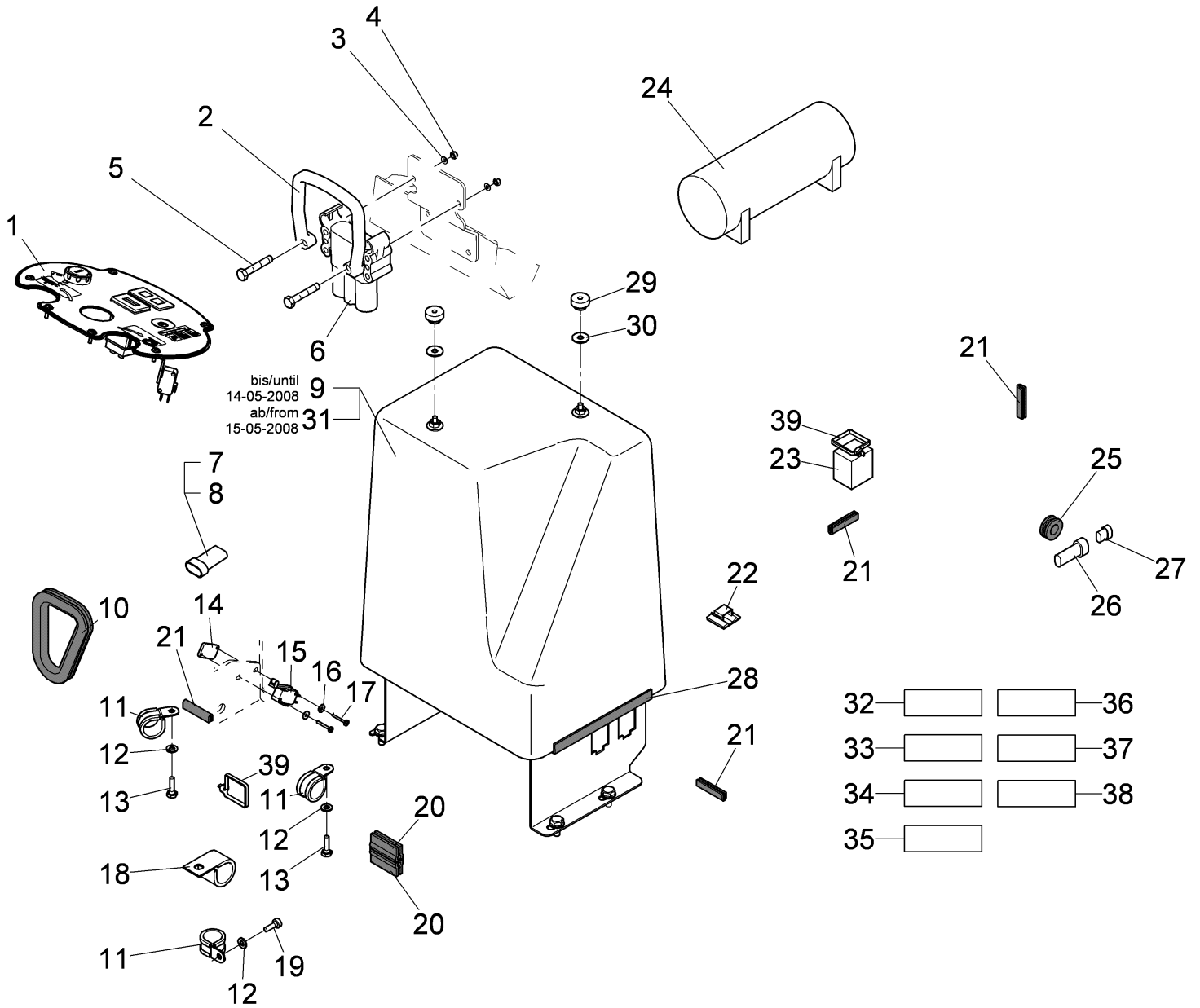
Item	Spare part number	Description	Qty.	Remarks
35	00878400	Washer	8	
36	01131510	Filter cover	1	
37	01131840	Adhesive tape	1780mm	



Motorgroup - Chassis (97077366)
Rev.B 05/11

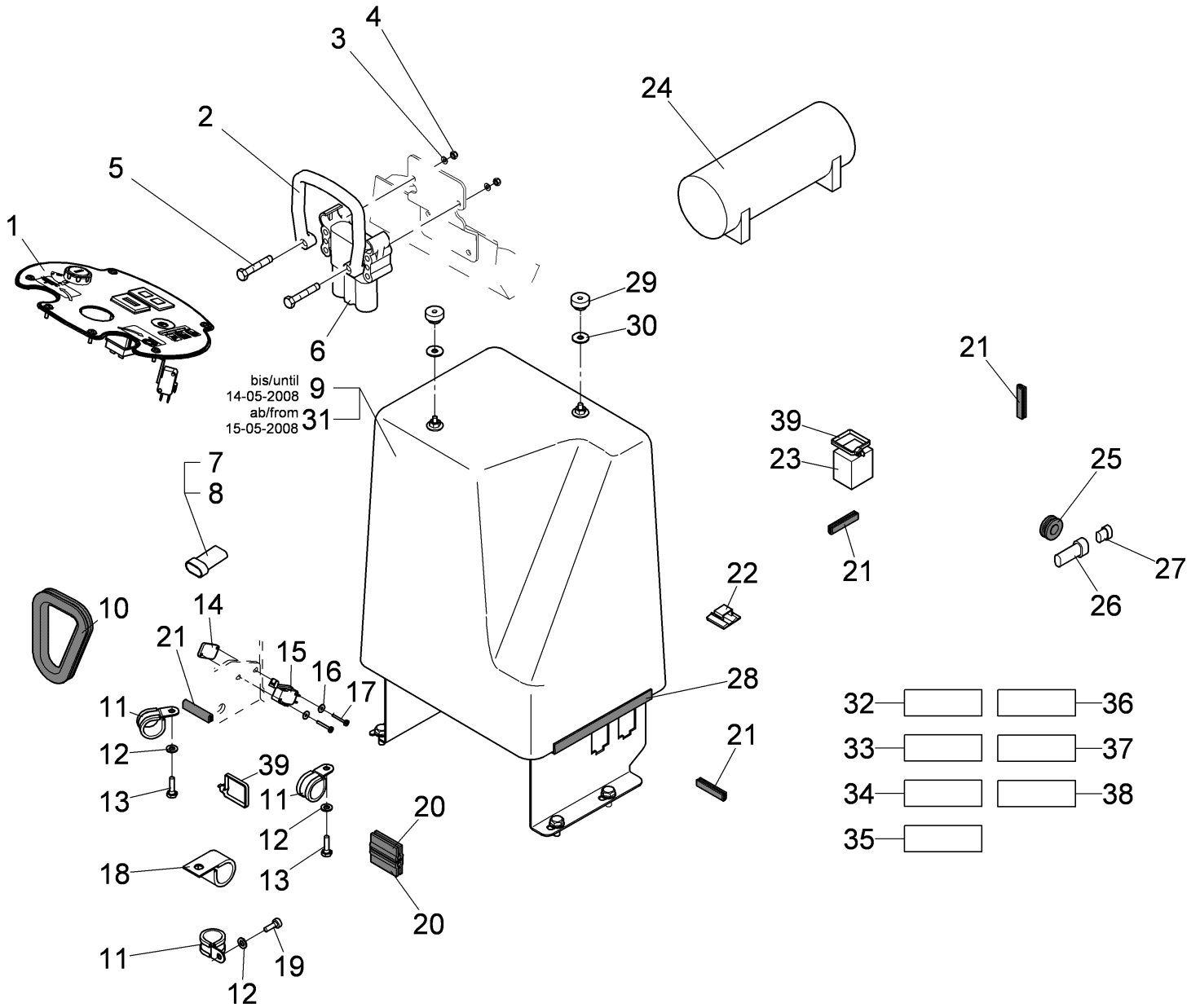
Item	Spare part number	Description	Qty.	Remarks
1	03003360	Chassis, cpl	1	
2	00152530	Adjusting washer	1	
3	00740090	Detent edged washer	6	
4	03003370	Battery console Jonas 900 E	1	
5	00051520	Hexagon nut	3	
6	00053730	Washer	2	
7	00126010	Countersunk screw	1	
8	00135120	Washer	1	
9	00748300	Clamp	1	
10	00053050	Hex.bolt	2	
11	00053090	Hexagon screw	8	
12	00053750	Washer	6	
13	00051510	Hexagon nut	4	
14	01131280	Drive belt	1	until end of march 2005
15	01131290	Drive belt pulley	1	until end of march 2005
16	00874340	Washer	1	
17	00053010	Hex.bolt	5	
18	01131300	Narrow V-belt	1	
19	01092910	Lens flange screw	1	
20	01135570	Bracket	1	
21	00730940	Detent edged washer	4	
22	03003390	Holder	1	
23	01131310	Engine	1	
24	01131670	Set carbon brush	1	
25	01131660	Temperature switch	1	
26	00054260	Feather key	1	
27	00864520	Screw	1	
28	00042900	Washer	1	
29	01134820	V-belt	1	from april 2005
30	01135100	belt pulley	1	from april 2005

Electrical equipment Kleen Sweep 40R
Rev.B 05/11



Item	Spare part number	Description	Qty.	Remarks
1	97081251	Control panel	Page	30
2	00972350	Handle grip grey	1	
3	00053730	Washer	2	
4	00051520	Hexagon nut	2	
5	00053050	Hex.bolt	2	
6	00972440	Socket	1	
7	01006180	Pin housing	1	
8	01006200	Sealing plug	1	
9	97077242-A	Electrical box (until appr. mid of may 2008)	Page	32
10	00161240	Edge protection	260mm	
11	00902450	Tube clamp	3	
12	00053730	Washer	3	
13	00053020	Hexagon screw	2	
14	01074840	Thread base plate	1	
15	00975510	Micro switch	1	
16	00747400	Washer	2	
17	00955220	Fillister-head screw	2	
18	01133990	Pipe clamp	2	
19	00855560	Cylinder head screw	1	
20	01132640	Edge protection	80mm	
21	00721090	Edge protection	160mm	
22	00020650	Cable clip	4	
23	01132670	Bush bearing	1	
24	01000890	Vibration motor	1	
25	00156690	Cable sleeve	1	
26	01135450	plug body	1	
27	01135470	pin housing	1	
28	00681570	Edge protection	300mm	
29	00903210	Knurled nut	2	
30	00135120	Washer	2	
31	97077242-B	Electrical box (from appr. mid of may 2008)	Page	36
32	XXXXXXXX	no part-No. til yet	1	97081152 Wire harness W1
33	XXXXXXXX	no part-No. til yet	1	97081541 Wire harness W2

Electrical equipment Kleen Sweep 40R
Rev.B 05/11

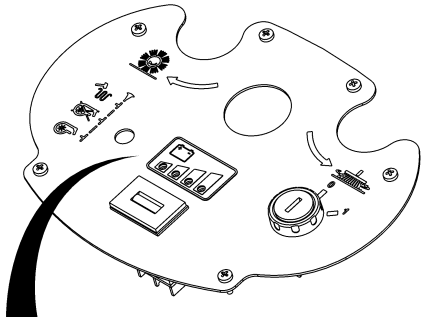


Electrical equipment Kleen Sweep 40R (97089908)
(1900-01-01 -> 2011-03-31)
Rev.B 05/11



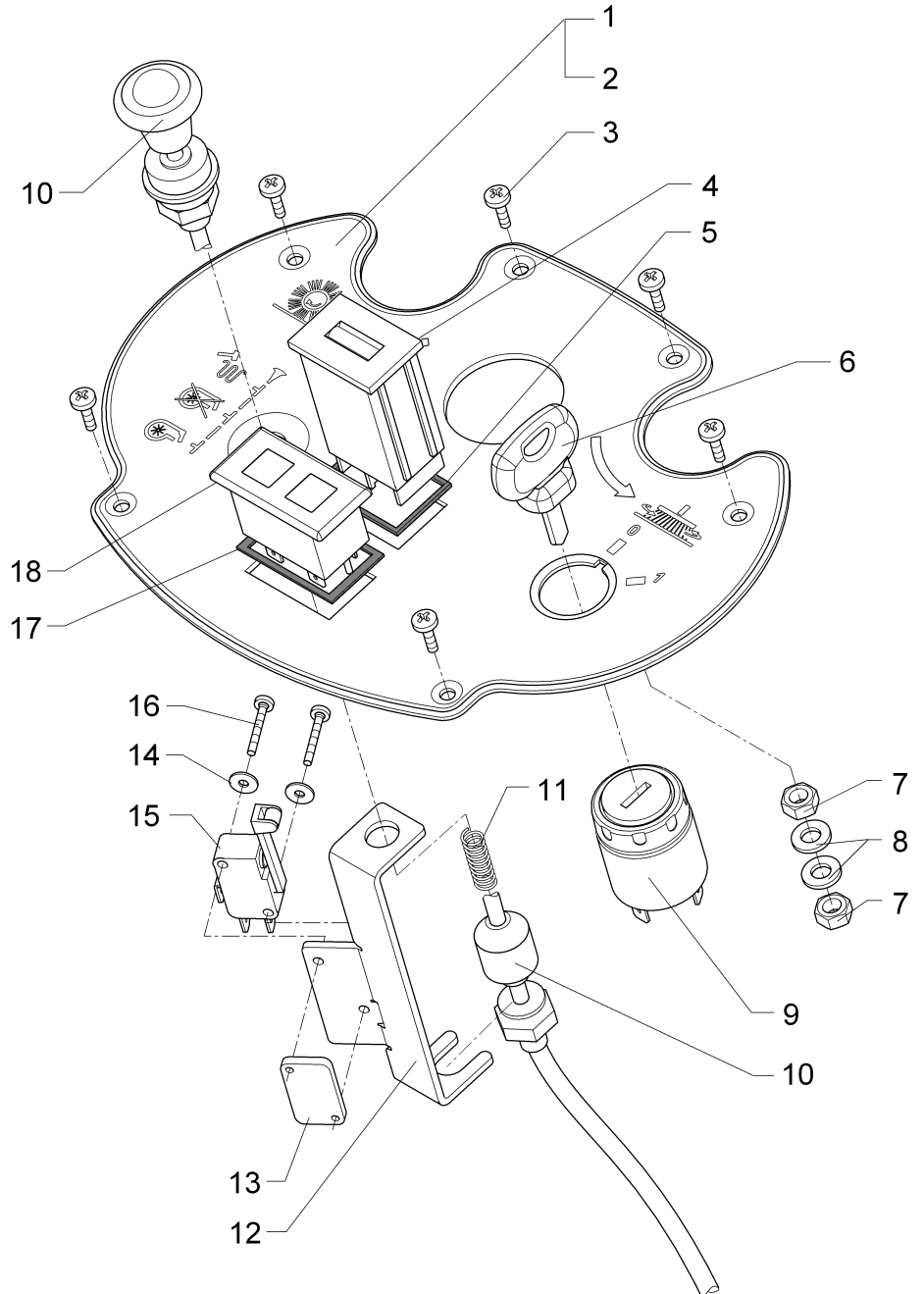
Item	Spare part number	Description	Qty.	Remarks
34	XXXXXXXXXX	no part-No. til yet	1	97081551 Wire harness W4
35	XXXXXXXXXX	no part-No. til yet	1	97081566 Wire harness W5
36	03008710	Wiring harness	1	
37	XXXXXXXXXX	no part-No. til yet	1	97081582 Wire harness W15
38	XXXXXXXXXX	no part-No. til yet	1	97089965 Cable set
39	00967760	Cable tie	9	

Control panel
Rev.B 05/11



Neuer Tiefensignalgeber (TSG) mit verbesserter Funktion erhältlich!
Bei Bedarf bitte den Umrüstsatz
19
(inkl. Bedienfeld Blech/Folie) bestellen!

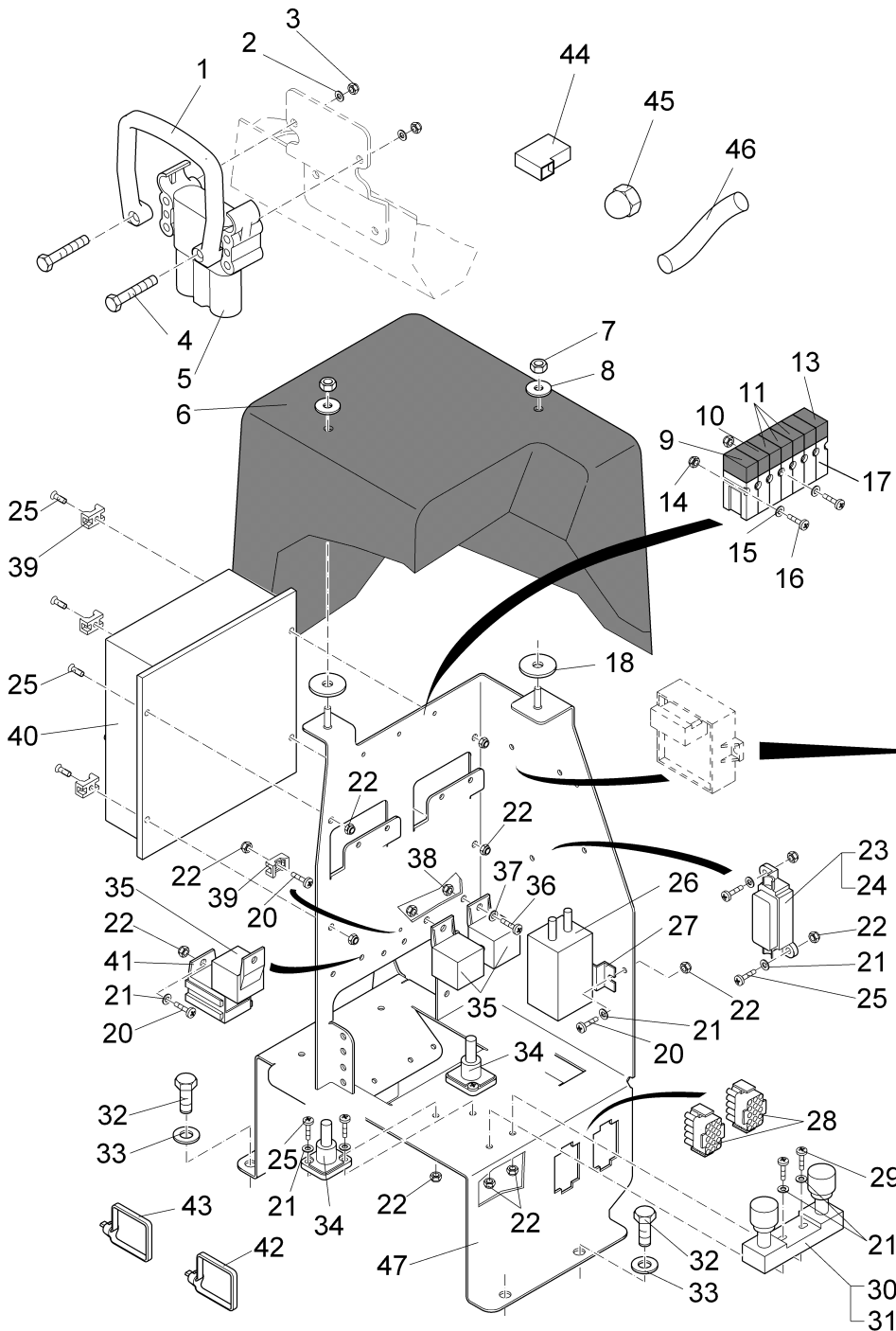
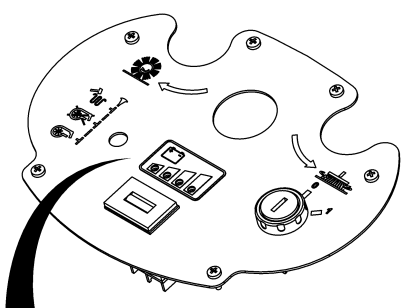
New low discharge signal transmitter (LDS) with improved functions available!
If needed please order retool kit
19
(incl. control panel)!



Control panel (97081251)
 Rev.B 05/11

Item	Spare part number	Description	Qty.	Remarks
1	01131610	Control panel, tin plate JONAS 900E	1	
2	01131620	Control panel, foil JONAS 900E	1	
3	00052620	Fillister-head screw	6	
4	01131630	Hour meter	1	
5	01092720	Gasket for hour meter	1	
6	00745890	Set (2pc.) key	1	
7	00053330	Hexagon nut	2	
8	00053730	Washer	2	
9	00021710	Key switch	1	
10	01131520	Actuating cable	1	
11	00902200	Pressure spring	1	
12	03003450	Plate	1	
13	01074840	Thread base plate	1	
14	00747400	Washer	2	
15	00975510	Micro switch	1	
16	00955220	Fillister-head screw	2	
17	01131640	Gasket control-light	1	
18	01131650	Indicator light red/green	1	
19	00009400	Retool kit SIGNAL TRANSMITTER	1	

Electrical box (until appr. mid of may 2008)
Rev.B 05/11

Neuer Tiefensignalgeber (TSG)
mit verbesserter Funktion erhältlich!
Bei Bedarf bitte den Umrüstsatz
48
(inkl. Bedienfeld Blech/Folie)
bestellen!

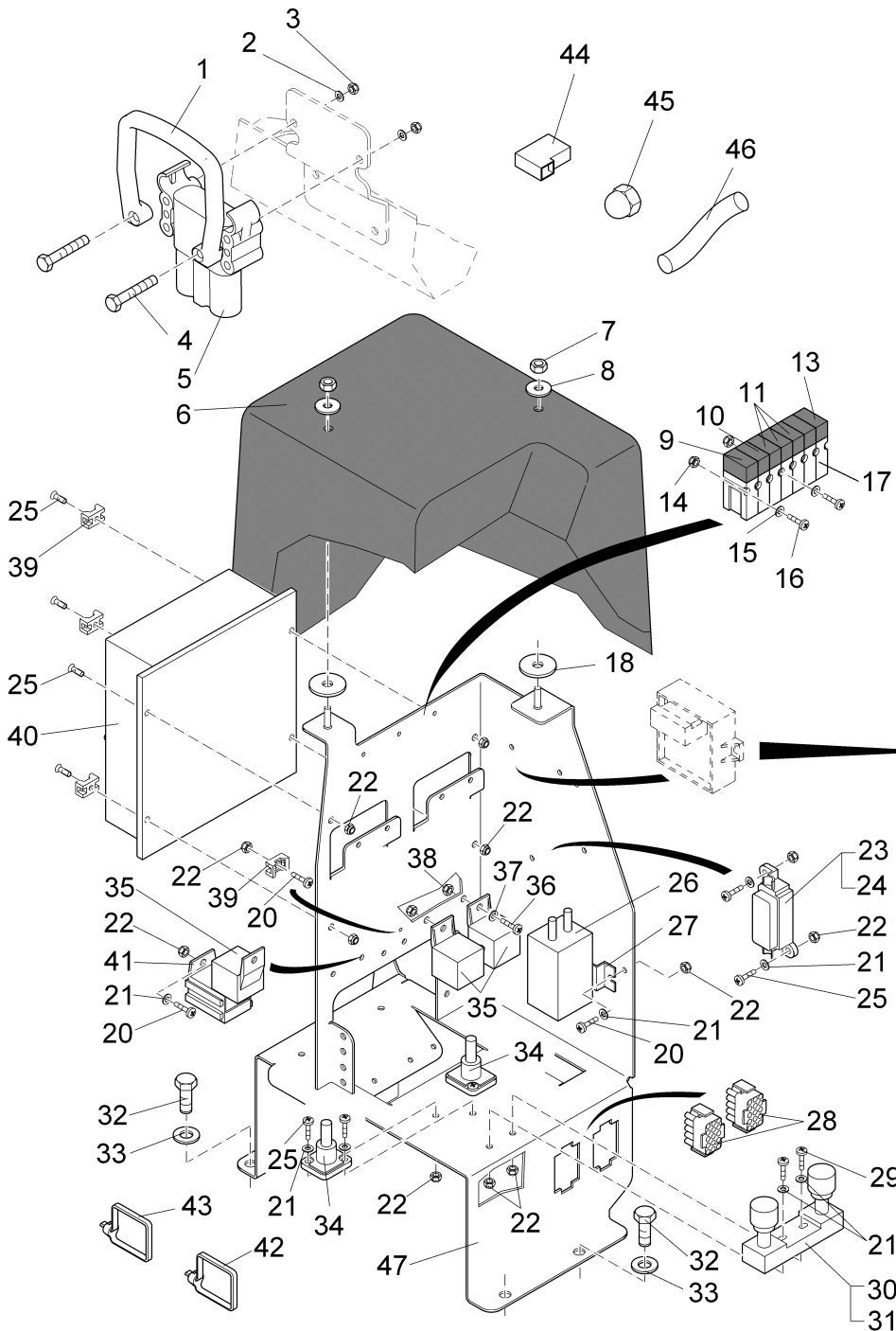
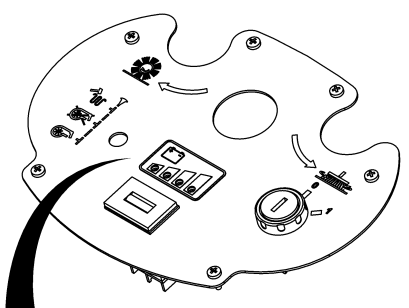
New low discharge signal transmitter (LDS)
with improved functions available!
If needed please order retool kit
48
(incl. control panel)!

Electrical box (until appr. mid of may 2008) (97077242-A)
 (1900-01-01 -> 2008-05-14)
 Rev.B 05/11



Item	Spare part number	Description	Qty.	Remarks
1	00972350	Handle grip grey	1	
2	00053730	Washer	3	
3	00051520	Hexagon nut	2	
4	00053050	Hex.bolt	2	
5	00972440	Socket	1	
6	01131430	Dust cover	1	
7	00053330	Hexagon nut	2	
8	00135120	Washer	2	
9	00500360	Fuse link	1	
10	00733630	Fuse	1	
11	00906120	Fuse	3	
13	00152060	Fuse	1	
14	00022200	Hex. Nut	2	
15	00553740	Washer	2	
16	00101580	Fillister-head screw	2	
17	00733650	Fuse holder	7	
18	00106050	Rubber washer	2	
20	00052620	Fillister-head screw	8	
21	00053710	Washer	16	
22	00133830	Hex. Nut	16	
23	00903510	Fuse holder	1	
24	01133530	fuse link 60A	1	
25	00731550	Fillister-head screw	6	
26	01131420	Solenoid	1	
27	03003420	Mounting kit for solenoid	1	
28	01019610	Jumper cable	2	
29	00954570	Fillister-head screw	2	
30	00121440	Fuse holder	1	
31	01056100	Fuse	1	
32	00053080	Hexagon screw	4	
33	00053750	Washer	4	
34	00744670	Single clamp	2	
35	00965030	Relay	3	
36	00108650	Fillister-head screw	2	

Electrical box (until appr. mid of may 2008)
Rev.B 05/11

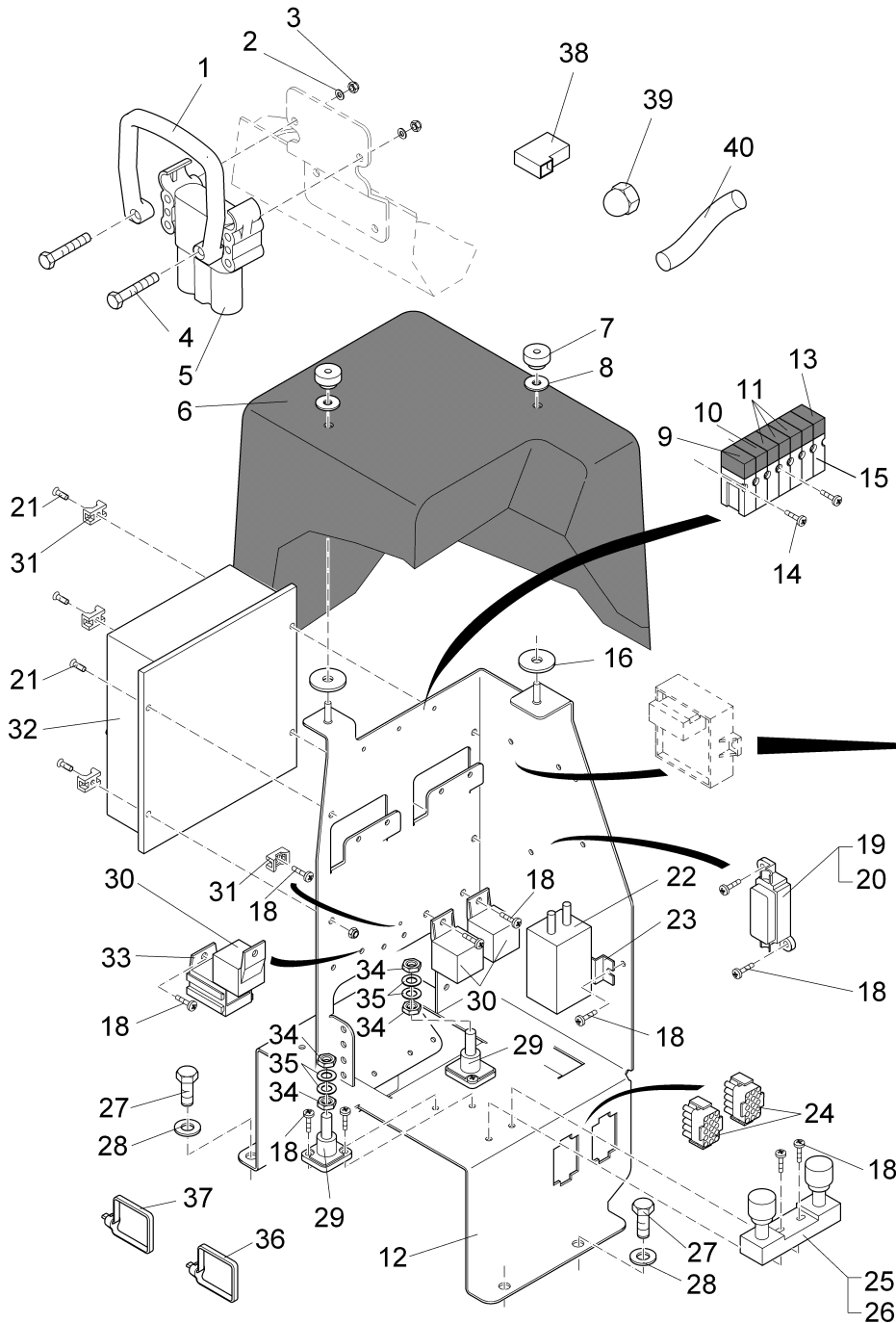
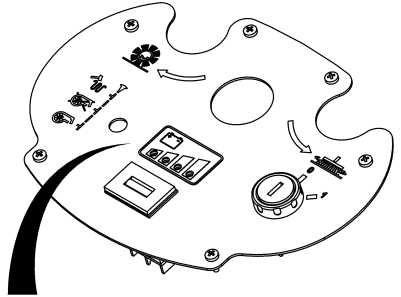
Neuer Tiefensignalgeber (TSG)
mit verbesserter Funktion erhältlich!
Bei Bedarf bitte den Umrüstsatz
48
(inkl. Bedienfeld Blech/Folie)
bestellen!

New low discharge signal transmitter (LDS)
with improved functions available!
If needed please order retool kit
48
(incl. control panel)!

Electrical box (until appr. mid of may 2008) (97077242-A)
 (1900-01-01 -> 2008-05-14)
 Rev.B 05/11

Item	Spare part number	Description	Qty.	Remarks
37	00053720	Washer	2	
38	00051340	Hexagon nut	2	
39	00780710	Socket	1	
40	01130760	Control system	1	
41	01018100	Housing	1	
42	00121150	Cable tie	25	
43	00121010	Cable tie	25	
44	01133740	protection sleeve	2	
45	00705480	Lens cap	2	
46	00170660	Spaghetti tubing	90mm	
47	XXXXXXXX	no part-No. til yet	1	96099890 Retainer
48	00009400	Retool kit SIGNAL TRANSMITTER	1	

Electrical box (from appr. mid of may 2008)
Rev.B 05/11

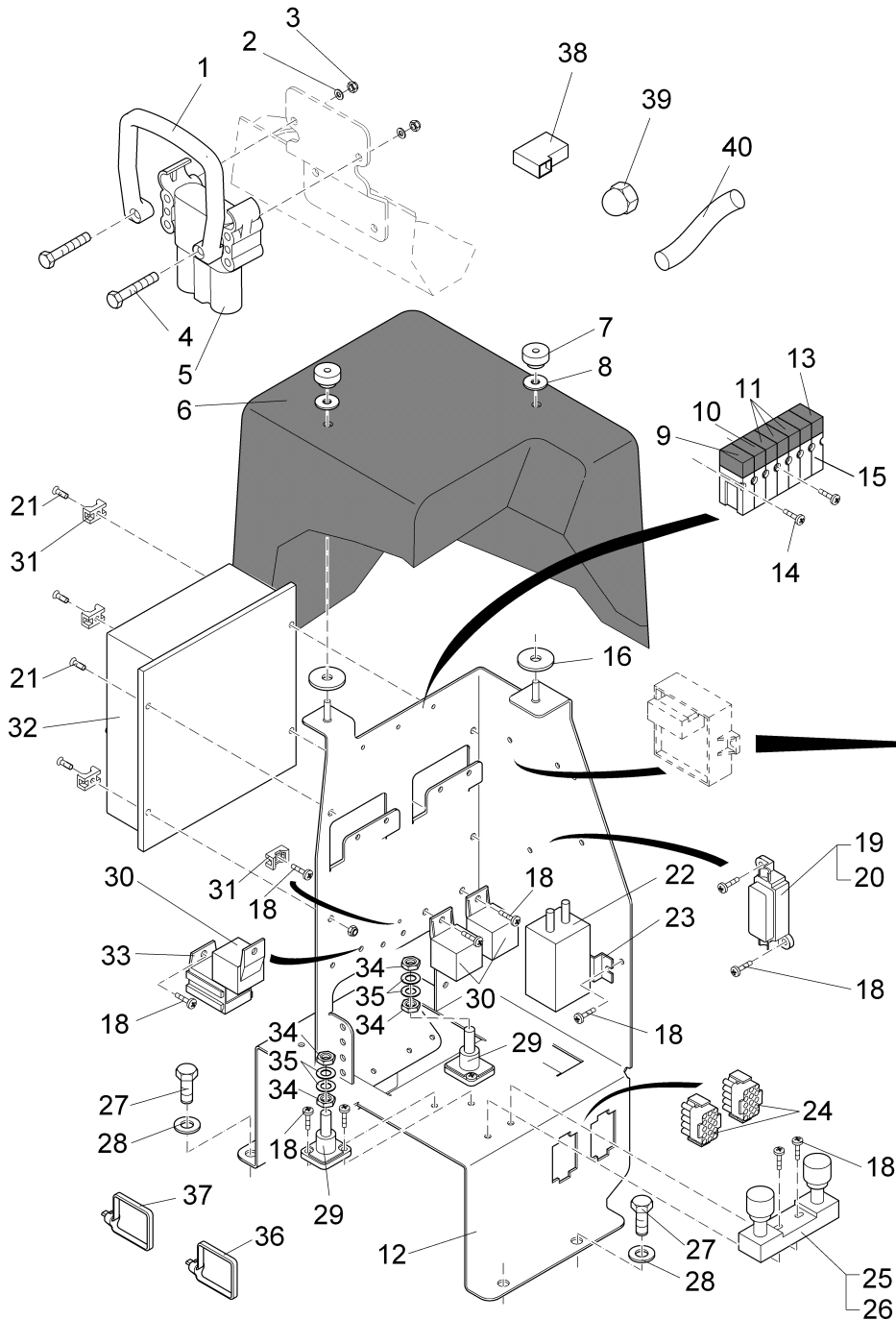



Neuer Tiefensignalgeber (TSG) mit verbesserter Funktion erhältlich!
Bei Bedarf bitte den Umrüstsatz
41
(inkl. Bedienfeld Blech/Folie) bestellen!
New low discharge signal transmitter (LDS) with improved functions available!
If needed please order retool kit
41
(incl. control panel)!

Electrical box (from appr. mid of may 2008) (97077242-B)
 (2008-05-15 ->)
 Rev.B 05/11

Item	Spare part number	Description	Qty.	Remarks
1	00972350	Handle grip grey	1	
2	00053730	Washer	3	
3	00051520	Hexagon nut	2	
4	00053050	Hex.bolt	2	
5	00972440	Socket	1	
6	01131430	Dust cover	1	
7	00903210	Knurled nut	2	
8	00135120	Washer	2	
9	00500360	Fuse link	1	
10	00733630	Fuse	1	
11	00906120	Fuse	3	
12	XXXXXXXX	no part-No. til yet	1	96120902 Retainer
13	00152060	Fuse	1	
14	01110770	Screw	2	
15	00733650	Fuse holder	7	
16	00106050	Rubber washer	2	
18	01112160	Screw	4	
19	00903510	Fuse holder	1	
20	01133530	fuse link 60A	1	
21	00501420	Screw	6	
22	01131420	Solenoid	1	
23	03003420	Mounting kit for solenoid	1	
24	01019610	Jumper cable	2	
25	00121440	Fuse holder	1	
26	01056100	Fuse	1	
27	00053080	Hexagon screw	4	
28	00053750	Washer	4	
29	00744670	Single clamp	2	
30	00965030	Relay	3	
31	00780710	Socket	1	
32	01130760	Control system	1	
33	01018100	Housing	1	
34	00046500	Hex. Nut	4	
35	00053850	Spring washer	4	

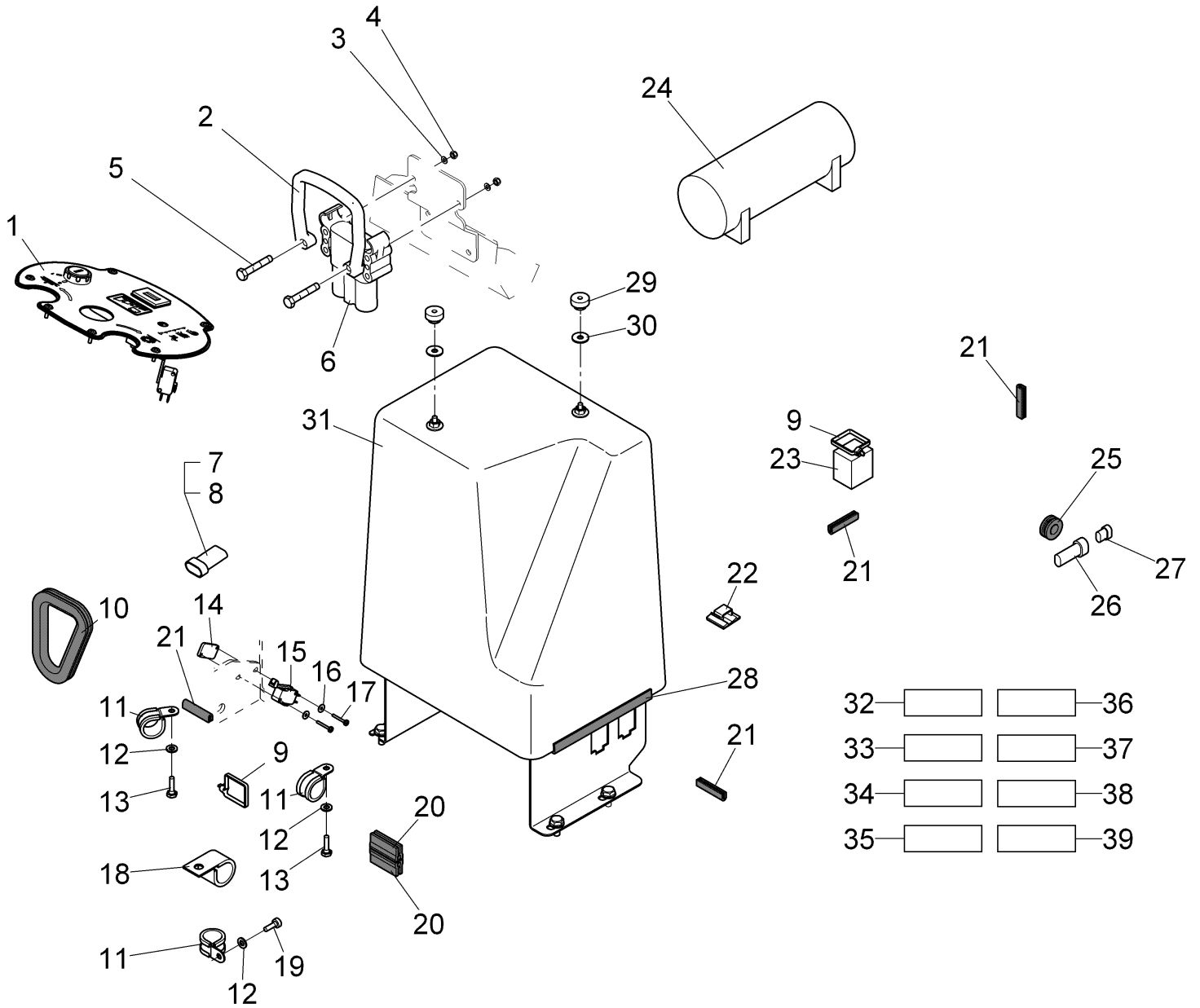
Electrical box (from appr. mid of may 2008)
Rev.B 05/11



Neuer Tiefensignalgeber (TSG) mit verbesserter Funktion erhältlich!
Bei Bedarf bitte den Umrüstsatz
41
(inkl. Bedienfeld Blech/Folie) bestellen!
New low discharge signal transmitter (LDS) with improved functions available!
If needed please order retool kit
41
(incl. control panel)!

Electrical box (from appr. mid of may 2008) (97077242-B)
(2008-05-15 ->)
Rev.B 05/11

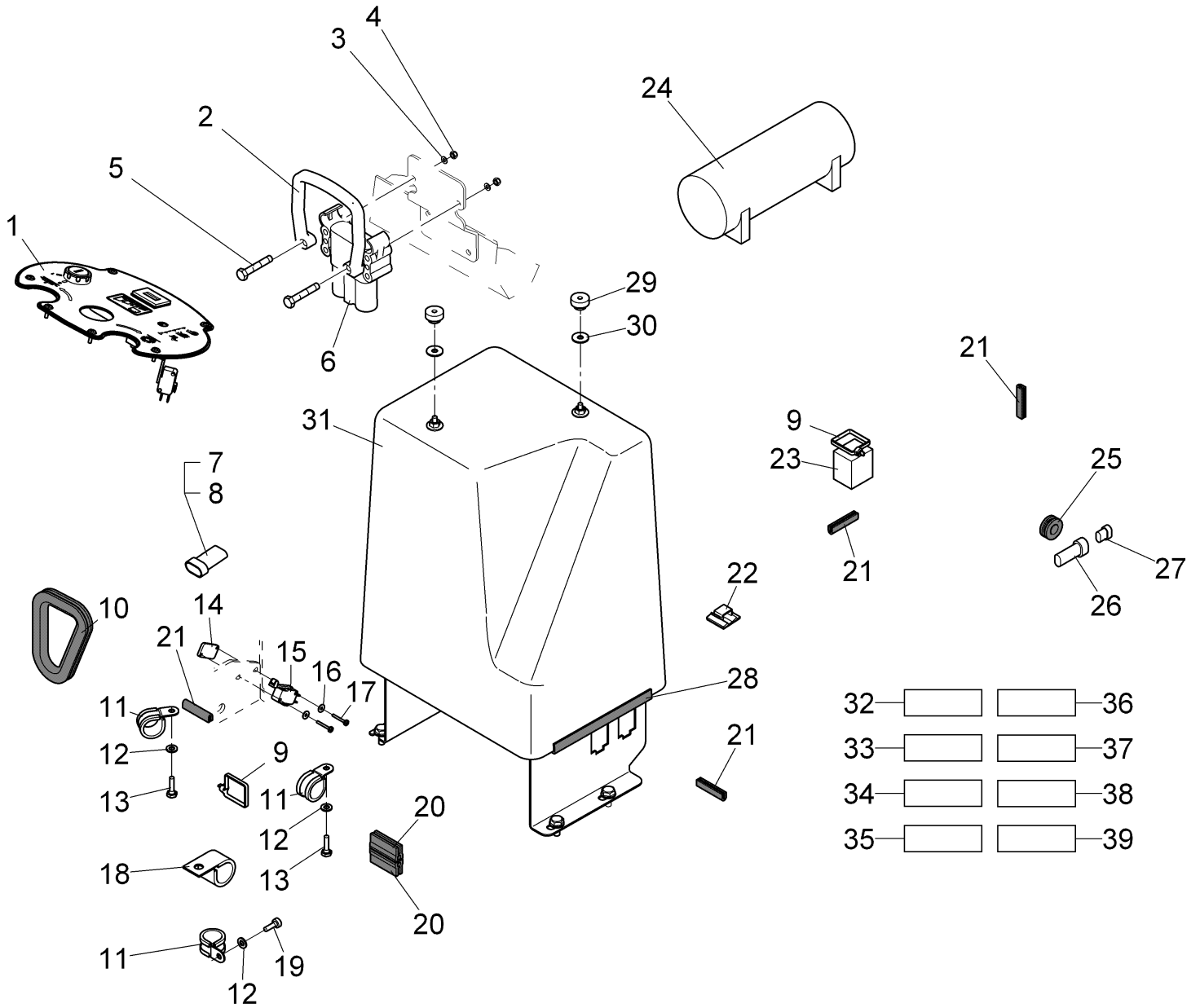
Item	Spare part number	Description	Qty.	Remarks
36	00121150	Cable tie	25	
37	00121010	Cable tie	25	
38	01133740	protection sleeve	2	
39	00705480	Lens cap	2	
40	00170660	Spaghetti tubing	90mm	
41	00009400	Retool kit SIGNAL TRANSMITTER	1	



Electrical equipment Jonas 900 E (from ser.no.:
6502.20.1.2179.2) (97116156)
(2011-04-01 ->)
Rev.B 05/11



Item	Spare part number	Description	Qty.	Remarks
1	97116008	Control panel	Page	44
2	00972350	Handle grip grey	1	
3	00053730	Washer	2	
4	00051520	Hexagon nut	2	
5	00053050	Hex.bolt	2	
6	00972440	Socket	1	
7	01006180	Pin housing	1	
8	01006200	Sealing plug	1	
9	00967760	Cable tie	7	
10	00161240	Edge protection	260mm	
11	00902450	Tube clamp	3	
12	00053730	Washer	3	
13	00053020	Hexagon screw	2	
14	01074840	Thread base plate	1	
15	00975510	Micro switch	1	
16	00747400	Washer	2	
17	00955220	Fillister-head screw	2	
18	01133990	Pipe clamp	2	
19	00855560	Cylinder head screw	1	
20	01132640	Edge protection	80mm	
21	00721090	Edge protection	160mm	
22	00020650	Cable clip	4	
23	01132670	Bush bearing	1	
24	01000890	Vibration motor	1	
25	00156690	Cable sleeve	1	
26	01135450	plug body	1	
27	01135470	pin housing	1	
28	00681570	Edge protection	300mm	
29	00903210	Knurled nut	2	
30	00135120	Washer	2	
31	97115992-A	Electrical box	Page	46
32	03010210	Wiring harness W1	1	
33	03010190	Wiring harness W2	1	
34	03010220	Wiring harness W4	1	

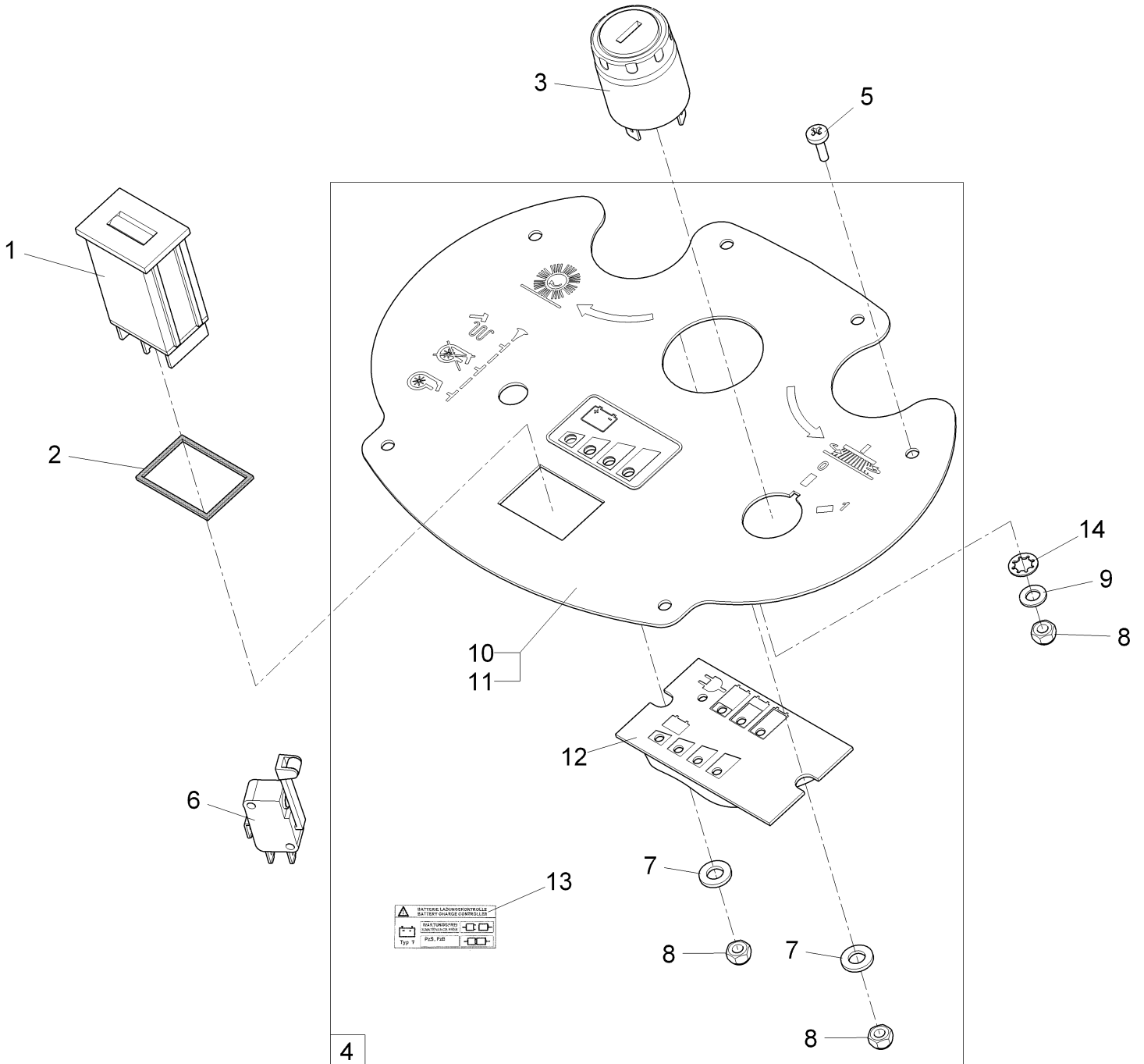


Electrical equipment Jonas 900 E (from ser.no.:
 6502.20.1.2179.2) (97116156)
 (2011-04-01 ->)
 Rev.B 05/11



Item	Spare part number	Description	Qty.	Remarks
35	03010200	Wiring harness W5	1	
36	03008710	Wiring harness	1	
37	XXXXXXXX	no part-No. til yet	1	97081582 Wire harness W15
38	03010230	Cable loom	1	
39	XXXXXXXX	no part-No. til yet	1	97081483 Cable set battery 4x6V

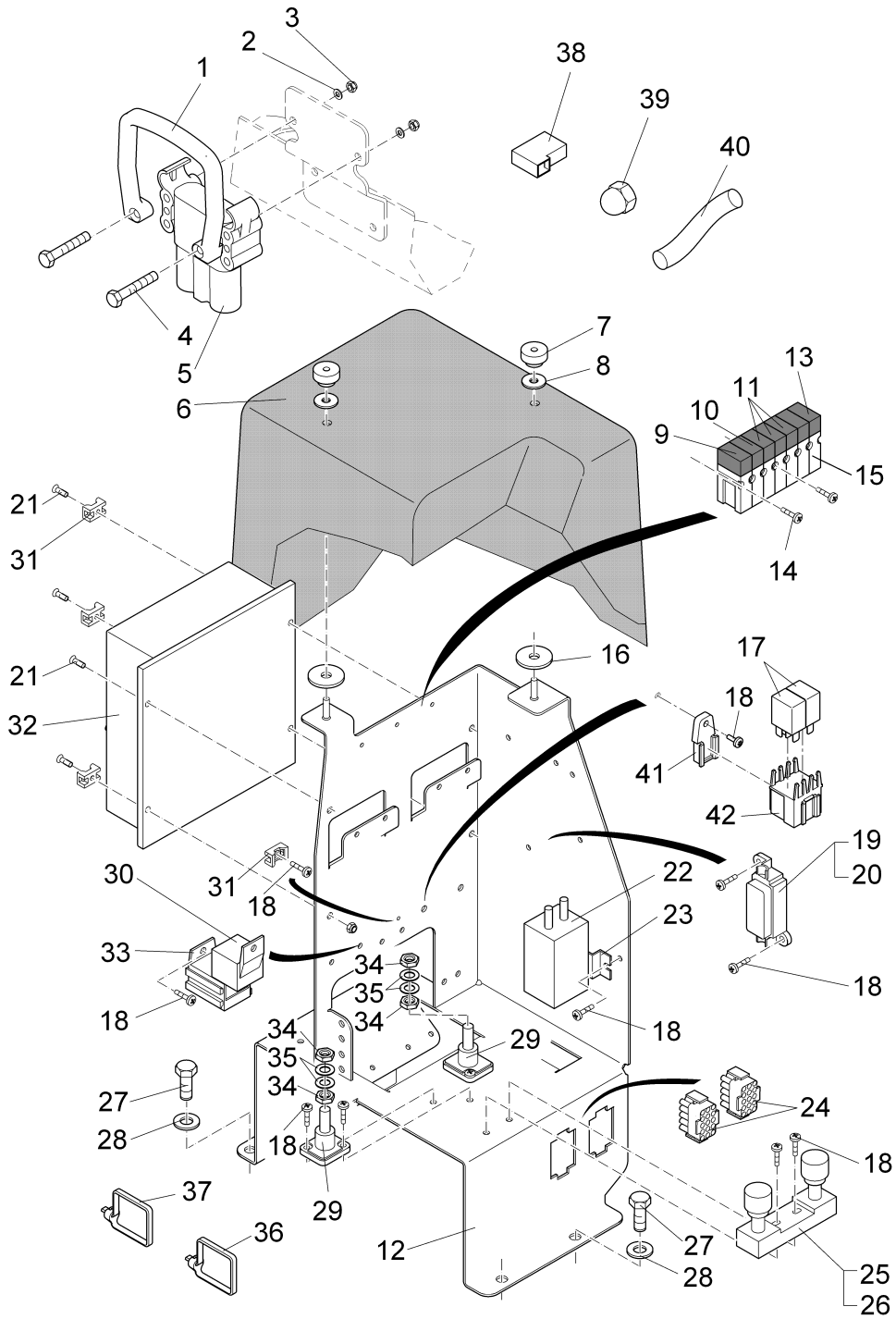
Control panel
Rev.B 05/11



Control panel (97116008)
 Rev.B 05/11

Item	Spare part number	Description	Qty.	Remarks
1	01131630	Hour meter	1	
2	01092720	Gasket for hour meter	1	
3	00021710	Key switch	1	
4	00009400	Retool kit SIGNAL TRANSMITTER	1	
5	00052620	Fillister-head screw	6	
6	00975510	Micro switch	1	
7	00053730	Washer	2	
8	00051340	Hexagon nut	2	
9	00053720	Washer	1	
10	01135670	Control panel foil	1	
11	01135680	Control panel plate	1	
12	01178800	Signal transmitter 12V-24V	1	
13	XXXXXXXX	no part-No. til yet	1	17267865 Decal Battery choice
14	00127100	Toothed washer	1	

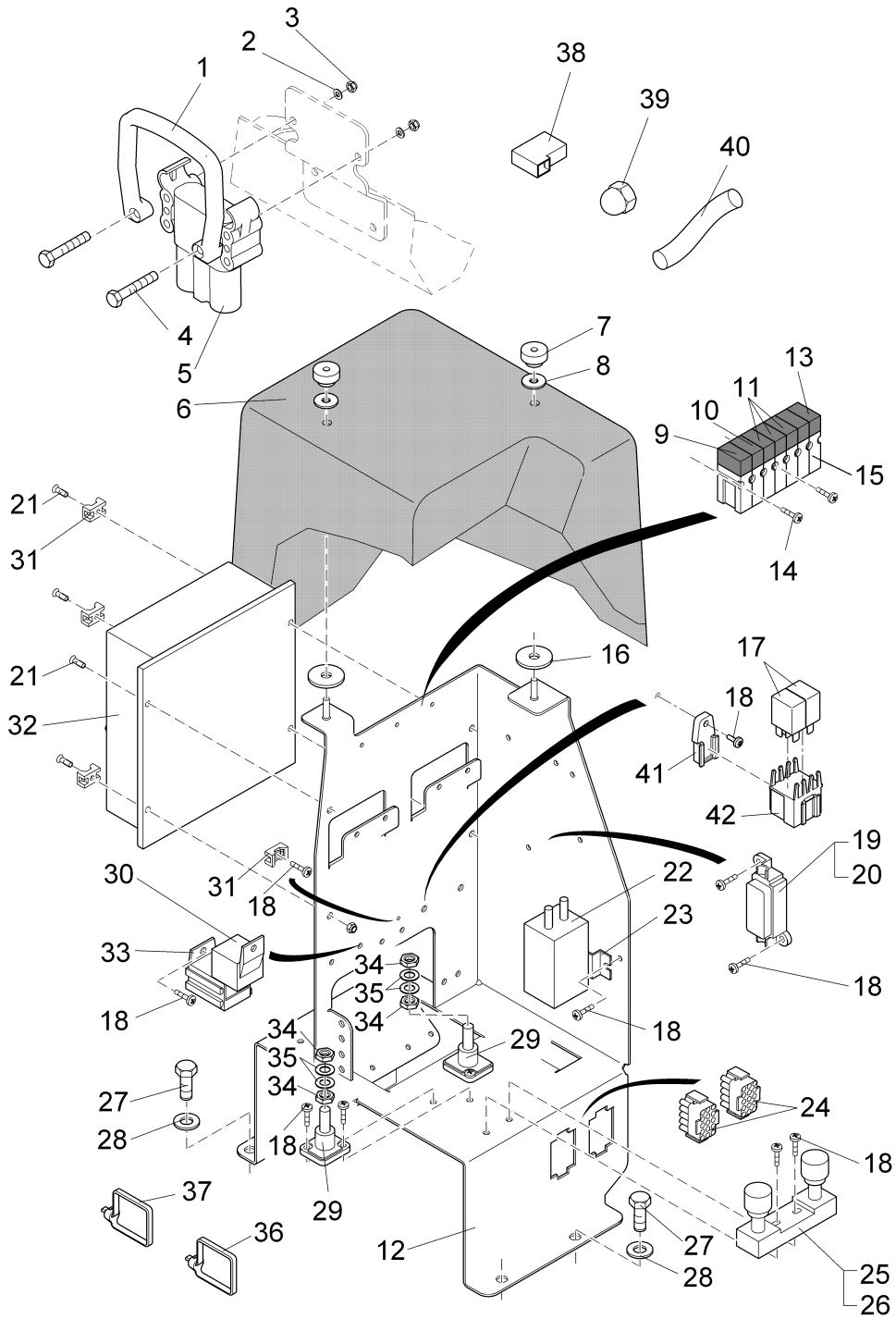
Electrical box
Rev.B 05/11



Electrical box (97115992-A)
Rev.B 05/11

Item	Spare part number	Description	Qty.	Remarks
1	00972350	Handle grip grey	1	
2	00053730	Washer	3	
3	00051520	Hexagon nut	2	
4	00053050	Hex.bolt	2	
5	00972440	Socket	1	
6	01131430	Dust cover	1	
7	00903210	Knurled nut	2	
8	00135120	Washer	2	
9	00500360	Fuse link	1	
10	00733630	Fuse	1	
11	00906120	Fuse	3	
12	XXXXXXXX	no part-No. til yet	1	96120902 Retainer
13	00152060	Fuse	1	
14	01110770	Screw	2	
15	00733650	Fuse holder	7	
16	00106050	Rubber washer	2	
17	01271000	Relay	2	
18	01112160	Screw	11	
19	00903510	Fuse holder	1	
20	01133530	fuse link 60A	1	
21	00501420	Screw	6	
22	01131420	Solenoid	1	
23	03003420	Mounting kit for solenoid	1	
24	01019610	Jumper cable	2	
25	00121440	Fuse holder	1	
26	01056100	Fuse	1	
27	00053080	Hexagon screw	4	
28	00053750	Washer	4	
29	00744670	Single clamp	2	
30	00965030	Relay	1	
31	00780710	Socket	1	
32	01130760	Control system	1	
33	01018100	Housing	1	
34	00046500	Hex. Nut	4	

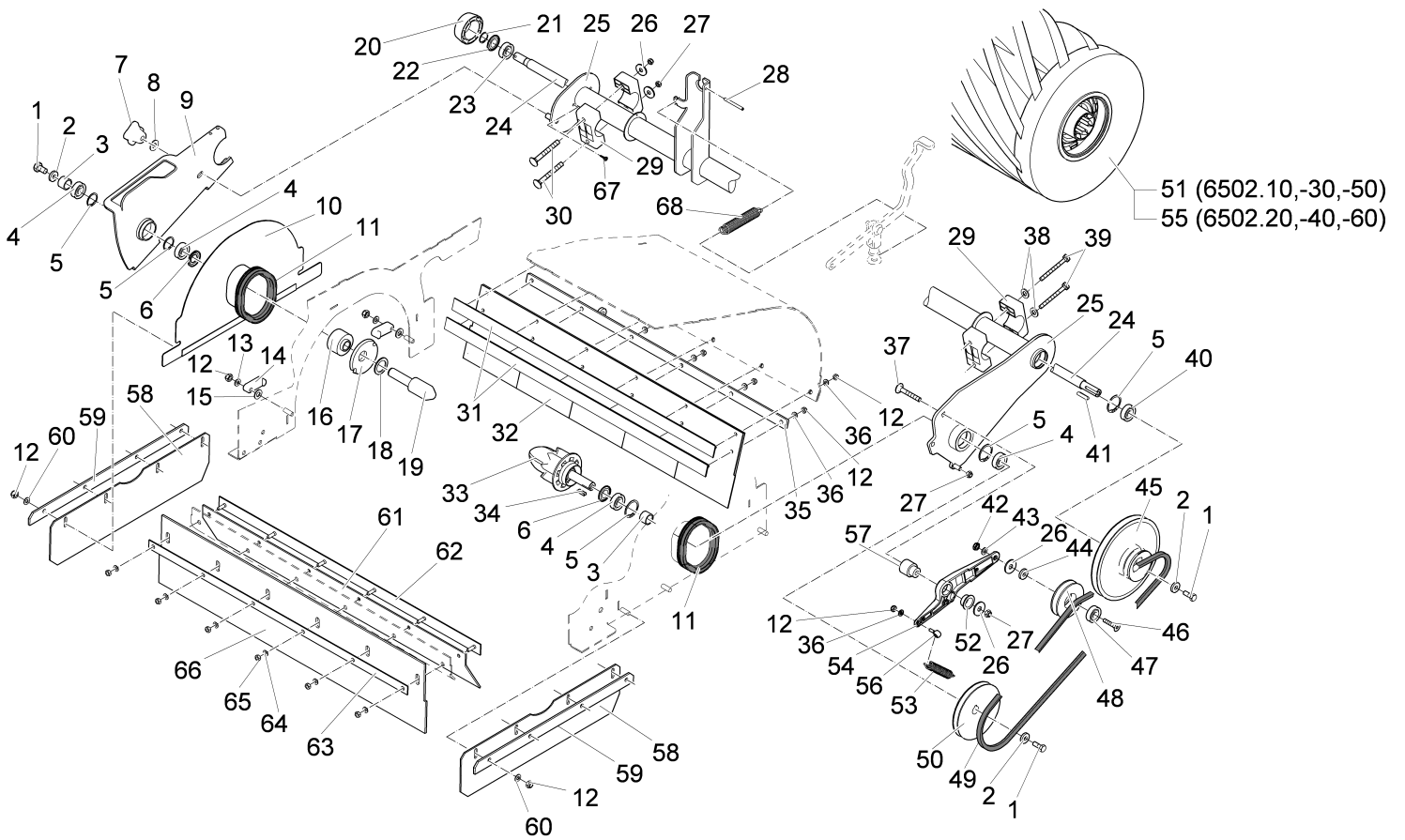
Electrical box
Rev.B 05/11



Electrical box (97115992-A)
Rev.B 05/11

Item	Spare part number	Description	Qty.	Remarks
35	00053850	Spring washer	4	
36	00121150	Cable tie	25	
37	00121010	Cable tie	25	
38	01133740	protection sleeve	2	
39	00705480	Lens cap	2	
40	00170660	Spaghetti tubing	90mm	
41	01271780	Retainer	1	
42	01271830	Relay base	1	

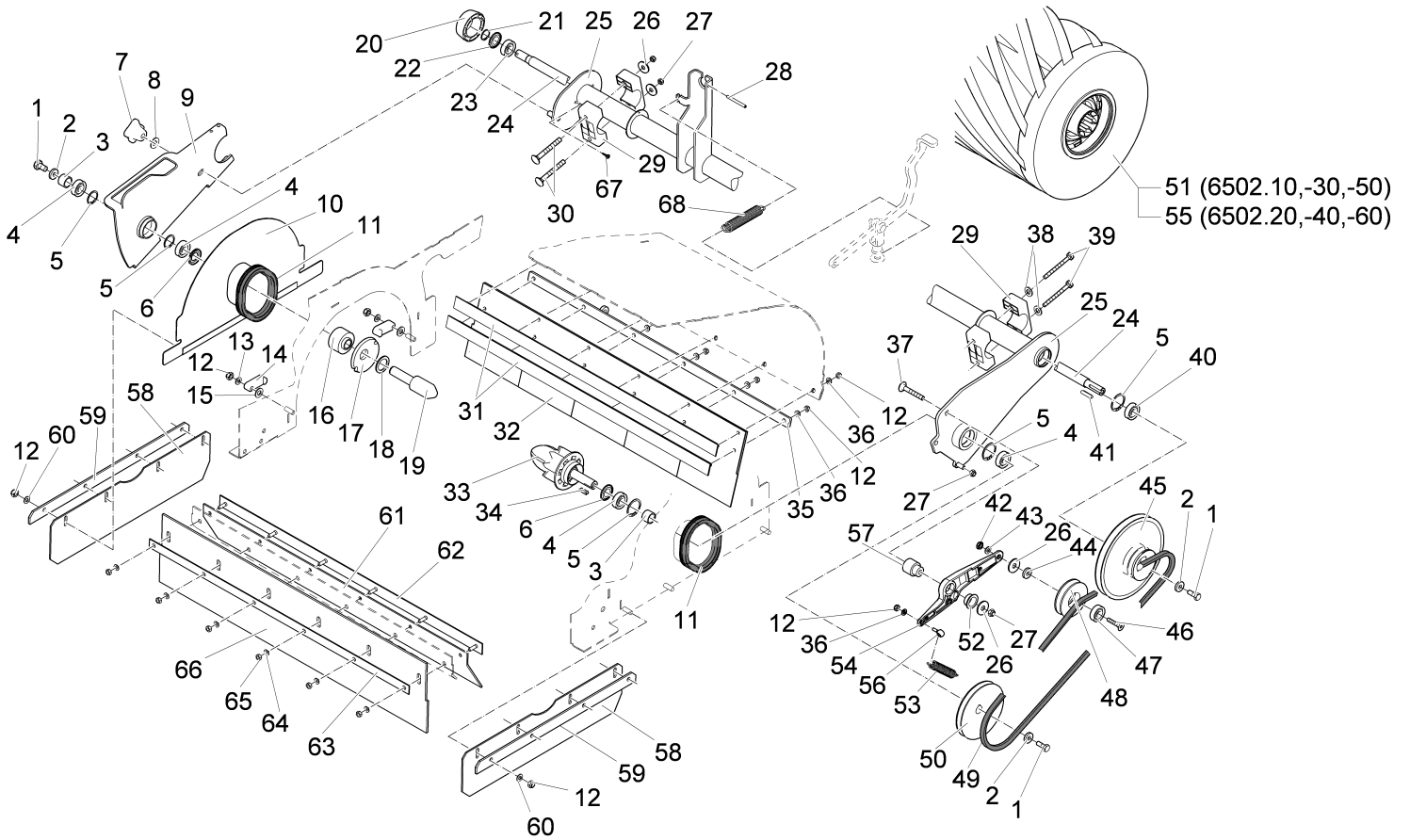
Group of main sweeper roller
 Rev.B 05/11



Group of main sweeper roller (97077192-1)
 Rev.B 05/11

Item	Spare part number	Description	Qty.	Remarks
1	00053080	Hexagon screw	3	
2	00695300	Washer	3	
3	00509180	sleeve	2	
4	00106300	Deep groove ball bearing	4	
5	00101660	Retaining ring	5	
6	00102410	Ring	2	
7	01179360	Star handle yellow	1	
8	00740290	Detent edged washer	1	
9	01130830	Brush rocker, L.H.	1	
10	01130840	Side shield	1	
11	00681570	Edge protection	620mm	
12	00051520	Hexagon nut	25	
13	00053840	Spring washer	2	
14	00968190	Toggle	2	
15	00053750	Washer	1	
16	01130850	Gasket	1	
17	01130860	Flexible washer	1	
18	00135560	Supporting ring	1	
19	01130870	Carrier	1	
20	01130880	Centering brush	1	
21	00022340	Retaining ring	1	
22	00104480	Ring	1	
23	00706360	Deep groove ball bearing	1	
24	01130890	Shaft	1	
25	03003310	Torque shaft	1	
26	00042900	Washer	4	
27	00051510	Hexagon nut	4	
28	00861020	Dowel pin	1	
29	01130610	Bearing	4	
30	01130900	Cup head square neck bolt	2	
31	01130910	Sheet metal	2	
32	01130800	Brush apron, front	1	
33	01130920	Drag element	1	
34	00054260	Feather key	1	

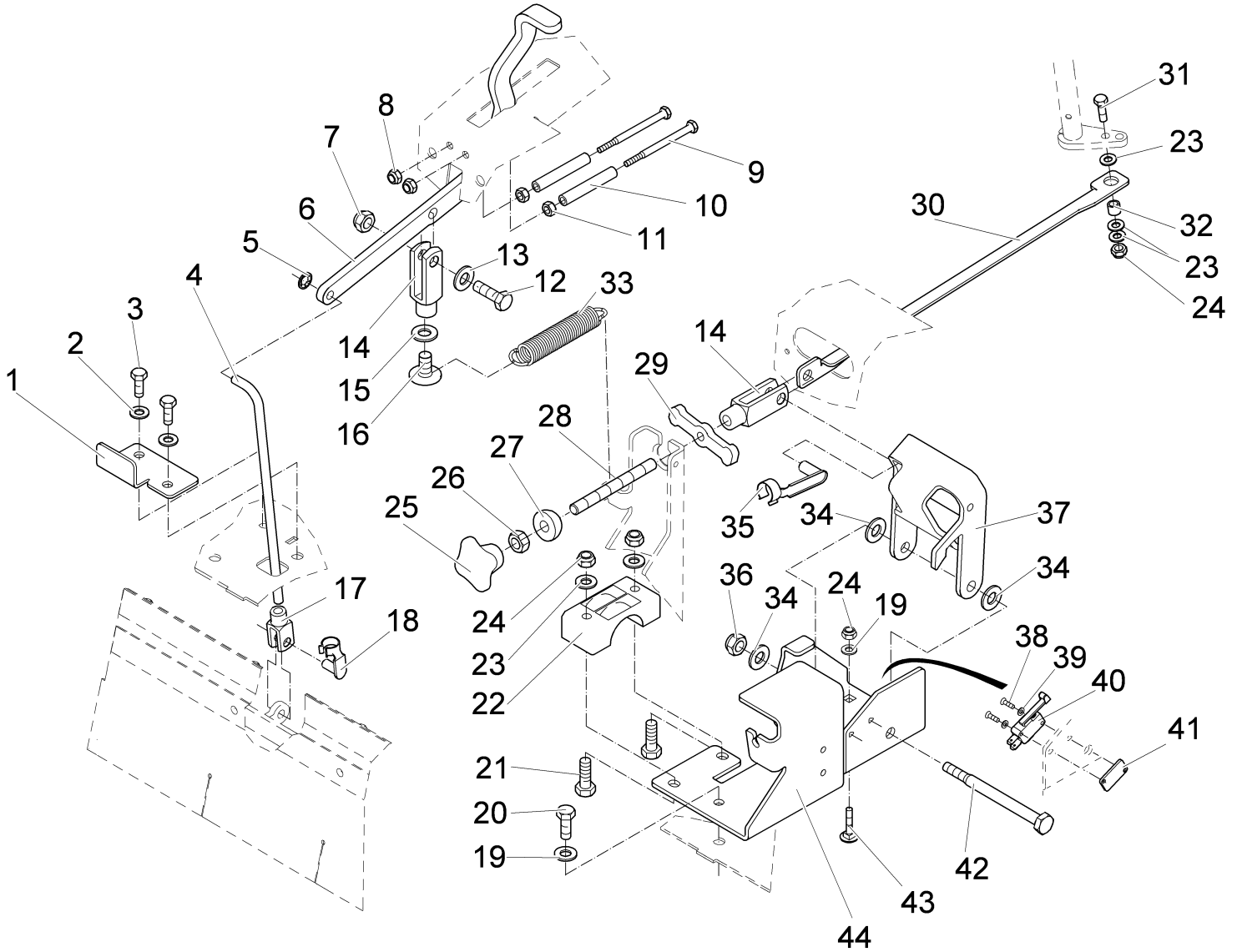
Group of main sweeper roller
Rev.B 05/11



Group of main sweeper roller (97077192-1)
 Rev.B 05/11

Item	Spare part number	Description	Qty.	Remarks
35	01130930	Sheet metal	1	
36	00053730	Washer	12	
37	01130940	Cup head square neck bolt	1	
38	00740080	Washer	2	
39	00557600	Hex.bolt	2	
40	00538360	Deep groove ball bearing	1	
41	00107380	Feather key	1	
42	00046500	Hex. Nut	1	
43	00740310	Washer	1	
44	01130950	Bushing	1	
45	01130960	Drive belt pulley	1	
46	00509000	Countersunk screw	1	
47	00126330	Deep groove ball bearing	1	
48	01130970	Pulley	1	
49	01130980	Narrow drive belt	1	
50	01130990	Belt pulley	1	
51	99651100	Spare main broom PA	1	for 6502.10,-30,-50
52	01130470	Slide bearing bush	1	
53	01131000	Pull spring	1	
54	01113820	Idler arm	1	
55	99651000	Spare main broom PES	1	for 6502.20,-40,-60
56	01111020	Eye bolt	1	
57	01131030	Bolt	1	
58	01130820	Brush apron	2	
59	01131050	Strip	2	
60	00053730	Washer	8	
61	01131040	Brush apron, rear	1	
62	01130910	Sheet metal	1	
63	00243450	Fitting strip	1	
64	00740280	Washer	6	
65	00053330	Hexagon nut	6	
66	01130810	Brush apron, rear	1	
67	00961490	Self tapping screw	2	
68	01135540	Tension spring	1	

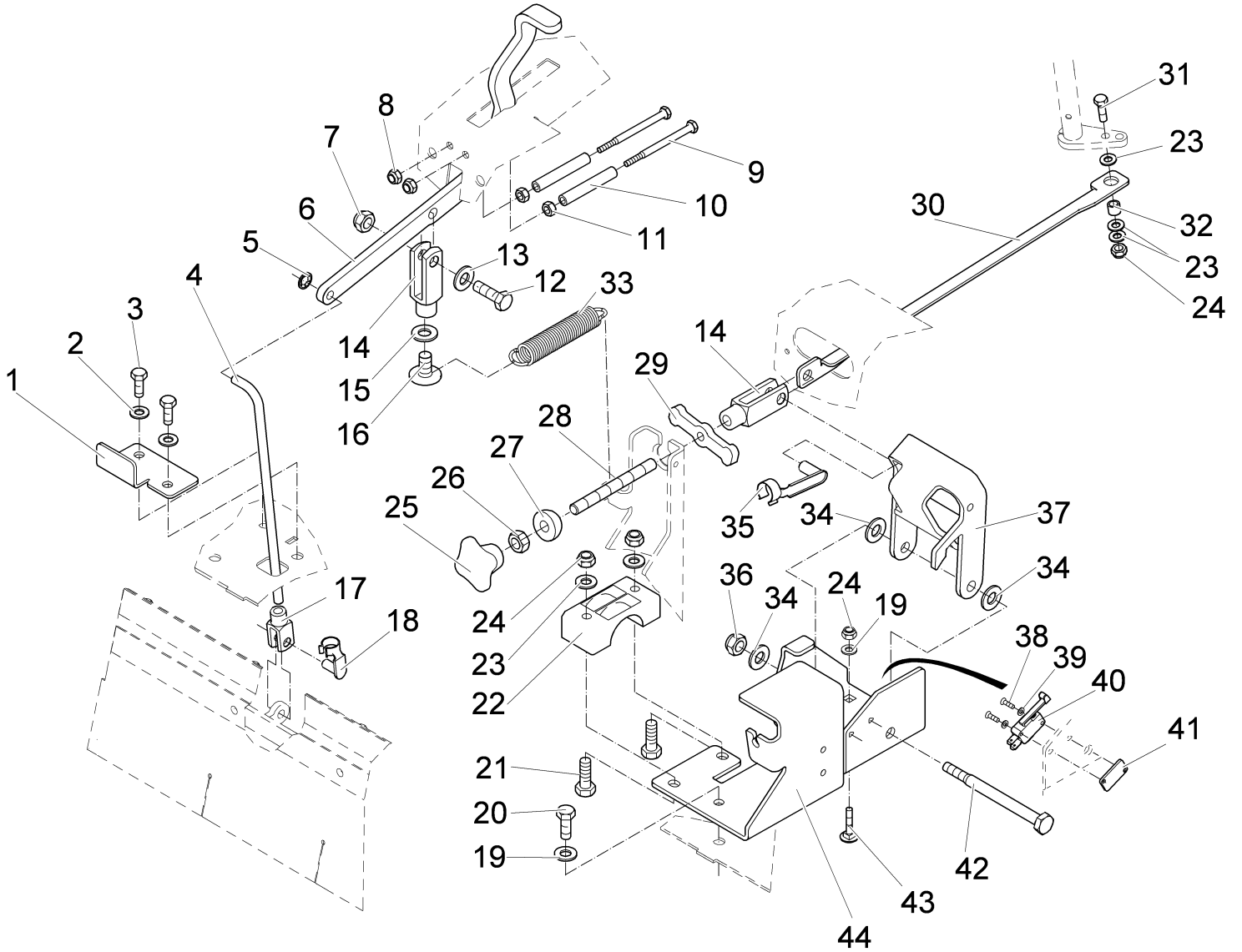
Manipulation for brush apron - Lifter for sweeping
 Rev.B 05/11



Manipulation for brush apron - Lifter for sweeping (97077192-2)
Rev.B 05/11

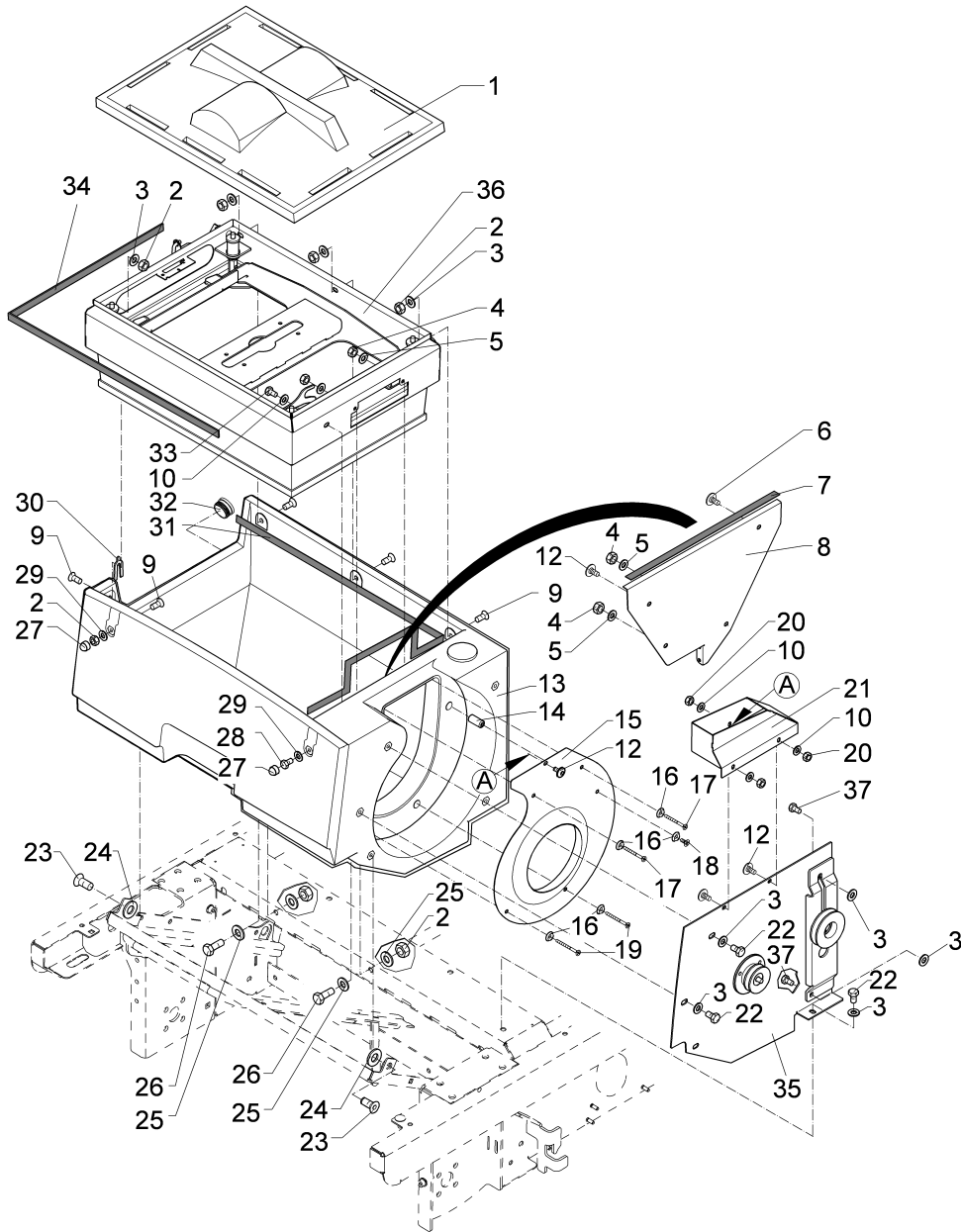
Item	Spare part number	Description	Qty.	Remarks
1	01131320	Stop angel	1	
2	00740090	Detent edged washer	2	
3	00053080	Hexagon screw	2	
4	01131330	Bar	1	
5	00854420	Thrust washer	1	
6	01131340	Pedal bar	1	
7	00051500	Hexagon nut	1	
8	00051520	Hexagon nut	2	
9	00526320	Hex.bolt	2	
10	01064890	Hose	140mm	
11	00053330	Hexagon nut	2	
12	00123690	Hex.bolt	1	
13	00130290	Adjusting washer	1	
14	00925430	Fork yoke	2	
15	00740290	Detent edged washer	1	
16	01131350	Lens head screw	1	
17	00151440	Fork yoke	1	
18	00151400	Bolt	1	
19	00740080	Washer	2	
20	00053090	Hexagon screw	1	
21	00041600	Hex.bolt	2	
22	01130610	Bearing	1	
23	00053750	Washer	5	
24	00051510	Hexagon nut	4	
25	01179360	Star handle yellow	1	
26	01050160	Hex. Nut	1	
27	01131360	Tap	1	
28	01131370	Spindle	1	
29	01131380	Counterling latch	1	
30	01131390	Draw angel	1	
31	00054690	Hexagon screw	1	
32	00733400	Spacer sleeve	1	
33	01135540	Tension spring	1	
34	00053760	Washer	4	

Manipulation for brush apron - Lifter for sweeping
Rev.B 05/11



Manipulation for brush apron - Lifter for sweeping (97077192-2)
Rev.B 05/11

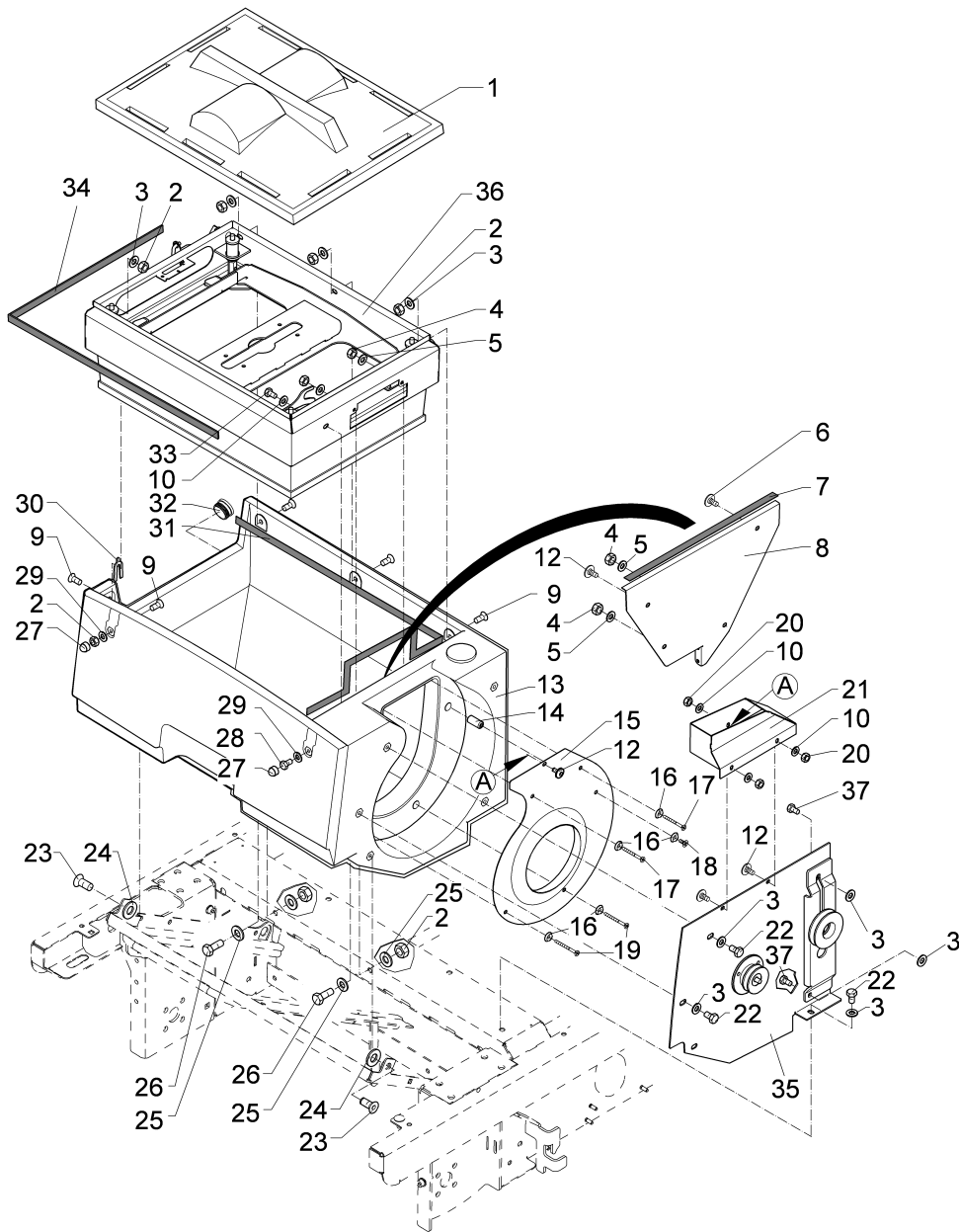
Item	Spare part number	Description	Qty.	Remarks
35	00925420	Bolt	1	
36	00132880	Hexagon nut	1	
37	03003400	Angel	1	
38	00955220	Fillister-head screw	2	
39	00747400	Washer	2	
40	00975510	Micro switch	1	
41	01074840	Thread base plate	1	
42	00109460	Hex.bolt	1	
43	00878410	Screw	2	
44	03003410	Retainer	1	



Dust extraction (97085955)
Rev.B 05/11

Item	Spare part number	Description	Qty.	Remarks
1	01131510	Filter cover	1	
2	00053350	Hexagon nut	5	
3	00740090	Detent edged washer	9	
4	00053330	Hexagon nut	4	
5	00740280	Washer	4	
6	01092780	Lens flange screw	1	
7	00420290	Gasket Tesamoll	390mm	
8	03003430	Plate	1	
9	00903480	Countersunk screw	5	
10	00730940	Detent edged washer	4	
12	01131450	Filister head flange screw	4	
13	03003440	Housing	1	
14	01131460	Threaded bushing	1	
15	01131470	Nozzle	1	
16	00157690	Annular plate	5	
17	00109500	Countersunk screw	2	
18	00871440	Countersunk screw	1	
19	00120130	Countersunk screw	2	
20	00135790	Hexagon nut	3	
21	01131480	Air scoop	1	
22	00864230	Hex.bolt	3	
23	00059080	Countersunk screw	2	
24	00070170	Washer	2	
25	00042900	Washer	2	
26	00133700	Hexagon screw	2	
27	00131610	Lens cap	2	
28	00151810	Hexagon screw	1	
29	00053750	Washer	2	
30	01131490	Sheet metal	2	
31	00420290	Gasket Tesamoll	1060mm	
32	01131500	Plug	1	
33	00104500	Hexagon screw	1	
34	01131840	Adhesive tape	1780mm	
35	97088546	Fan bearing	Page 62	

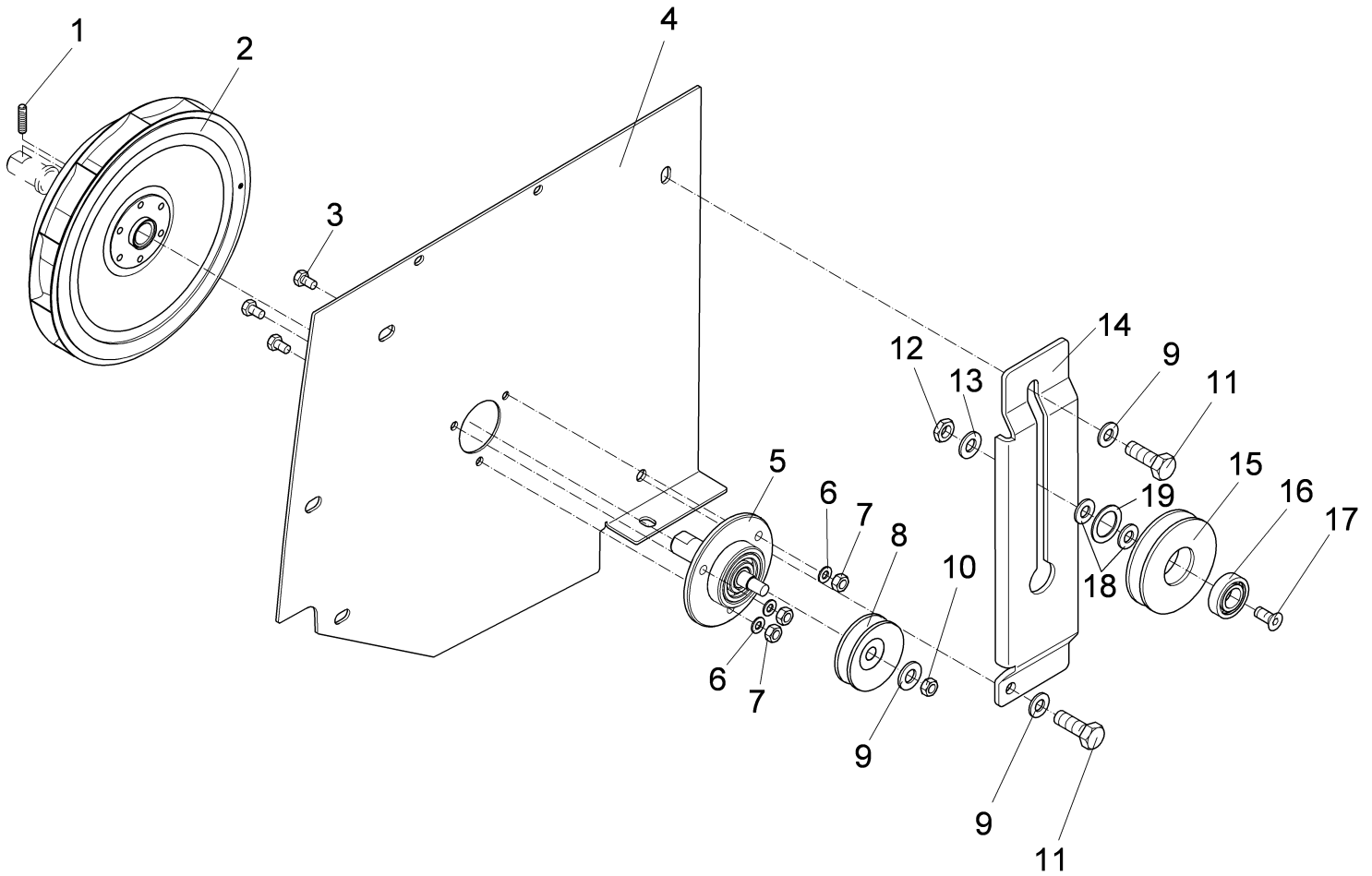
Dust extraction
Rev.B 05/11



Dust extraction (97085955)
Rev.B 05/11

Item	Spare part number	Description	Qty.	Remarks
36	97076863 6502-20	Filter installation	Page 64	
37	00553690	Hex.bolt	2	

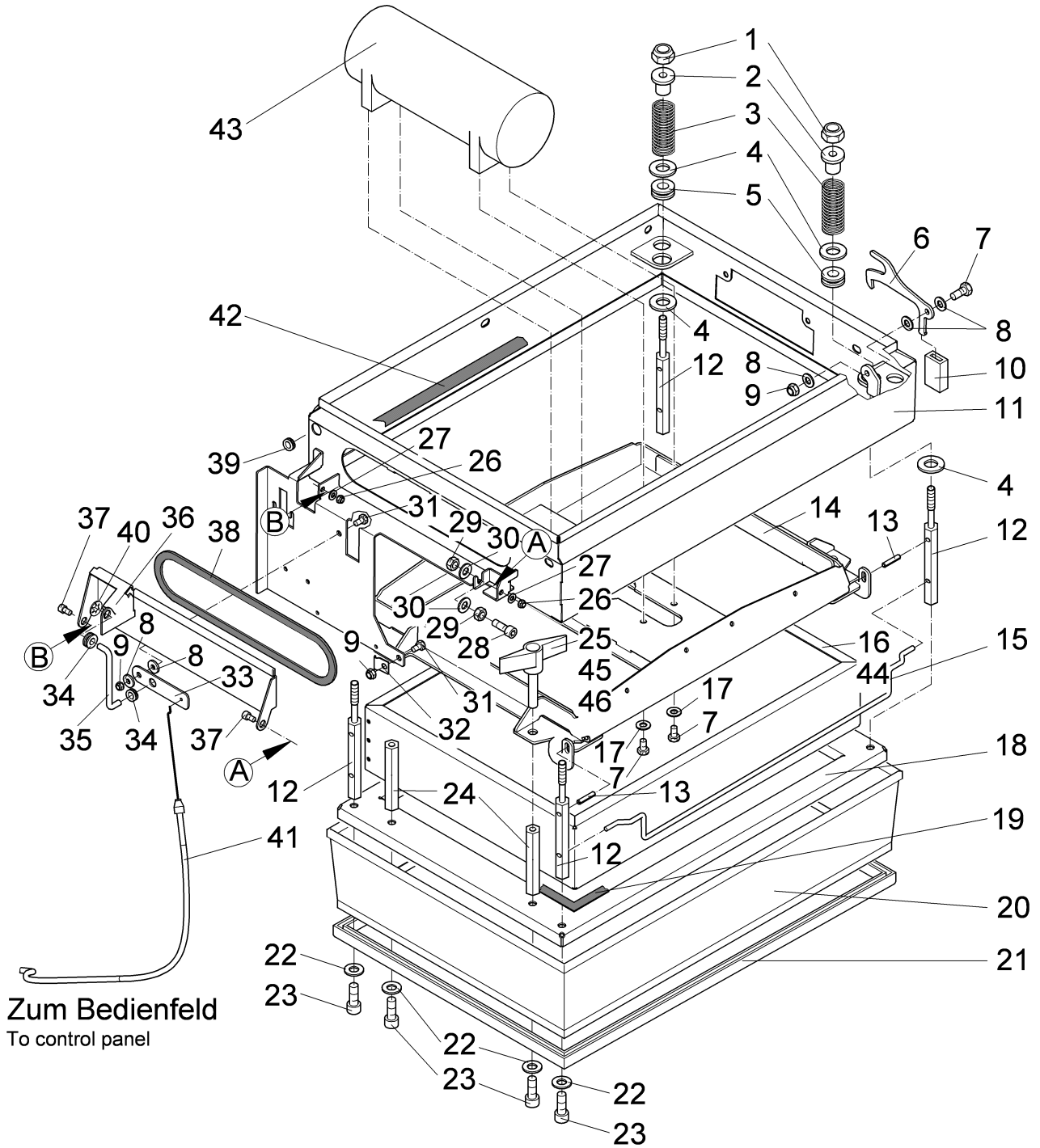
Fan bearing
Rev.B 05/11



Fan bearing (97088546)
Rev.B 05/11

Item	Spare part number	Description	Qty.	Remarks
1	00506780	Threaded pin	1	
2	01131220	Rotating fan	1	
3	00053010	Hex.bolt	3	
4	03003350	Plate	1	
5	01131230	fan bearing	1	
6	00740280	Washer	3	
7	00158350	Hex. Nut	3	
8	01110870	Belt pulley	1	
9	00740090	Detent edged washer	3	
10	00022330	Hex. Nut	1	
11	00553690	Hex.bolt	2	
12	00074710	Hex. Nut	2	
13	00740290	Detent edged washer	1	
14	01131270	Sheet metal	1	
15	XXXXXXXX	no part-No. til yet	1	90467481 Pulley
16	00126330	Deep groove ball bearing	1	
17	00021800	Countersunk screw	1	
18	00053760	Washer	2	
19	00130290	Adjusting washer	1	

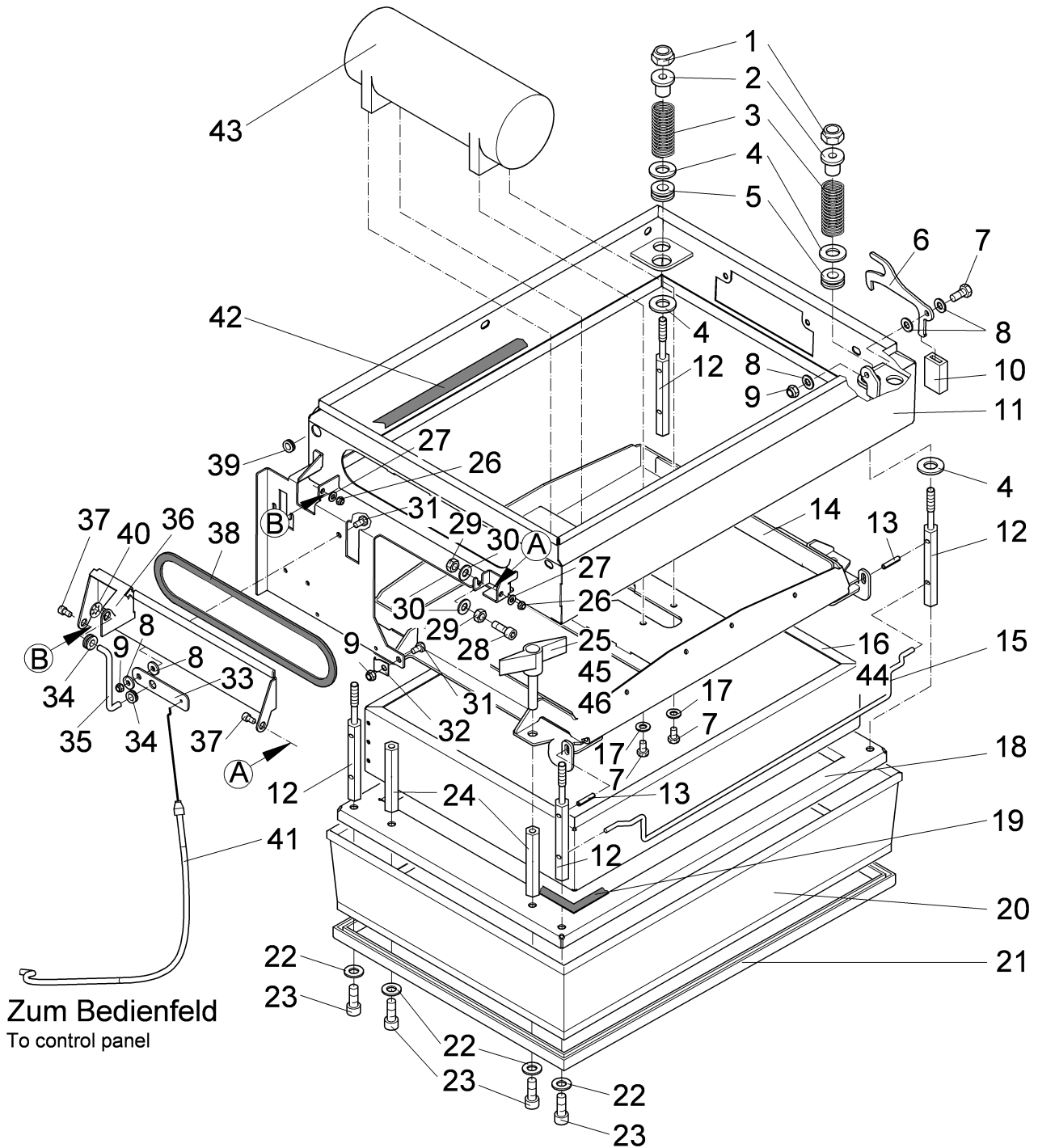
Filter installation
Rev.B 05/11



Filter installation (97076863 6502-20)
Rev.B 05/11

Item	Spare part number	Description	Qty.	Remarks
1	00051510	Hexagon nut	4	
2	01131100	Bolt	4	
3	01074080	Cyl.compression spring	4	
4	00042900	Washer	8	
5	00027190	Cable sleeve	4	
6	01131110	Sheet metal	1	
7	00053020	Hexagon screw	5	
8	00135120	Washer	5	
9	00051520	Hexagon nut	3	
10	00451220	Hose	20mm	
11	01131410	Frame	1	
12	01131120	Hexagon	4	
13	00045620	Dowel pin	2	
14	01131130	Frame	1	
15	01131140	Handle	1	
16	01130750	Plate filter	1	
17	00730940	Detent edged washer	4	
18	01131150	U-panel	1	
19	00420290	Gasket Tesamoll	1470mm	
20	01131160	Annular filter	1	
21	00161240	Edge protection	1730mm	
22	00740310	Washer	8	
23	00045540	Cylinder head screw	8	
24	01131170	Hexagon	4	
25	00905560	Wing	4	
26	01017660	Hex. Nut	2	
27	00958770	Washer	1	
28	00071450	Socket head screw	1	
29	00053350	Hexagon nut	2	
30	00053750	Washer	1	
31	00053010	Hex.bolt	2	
32	00534470	Clamp	1	
33	01131180	Mounting link	1	
34	01131190	Grommet	2	

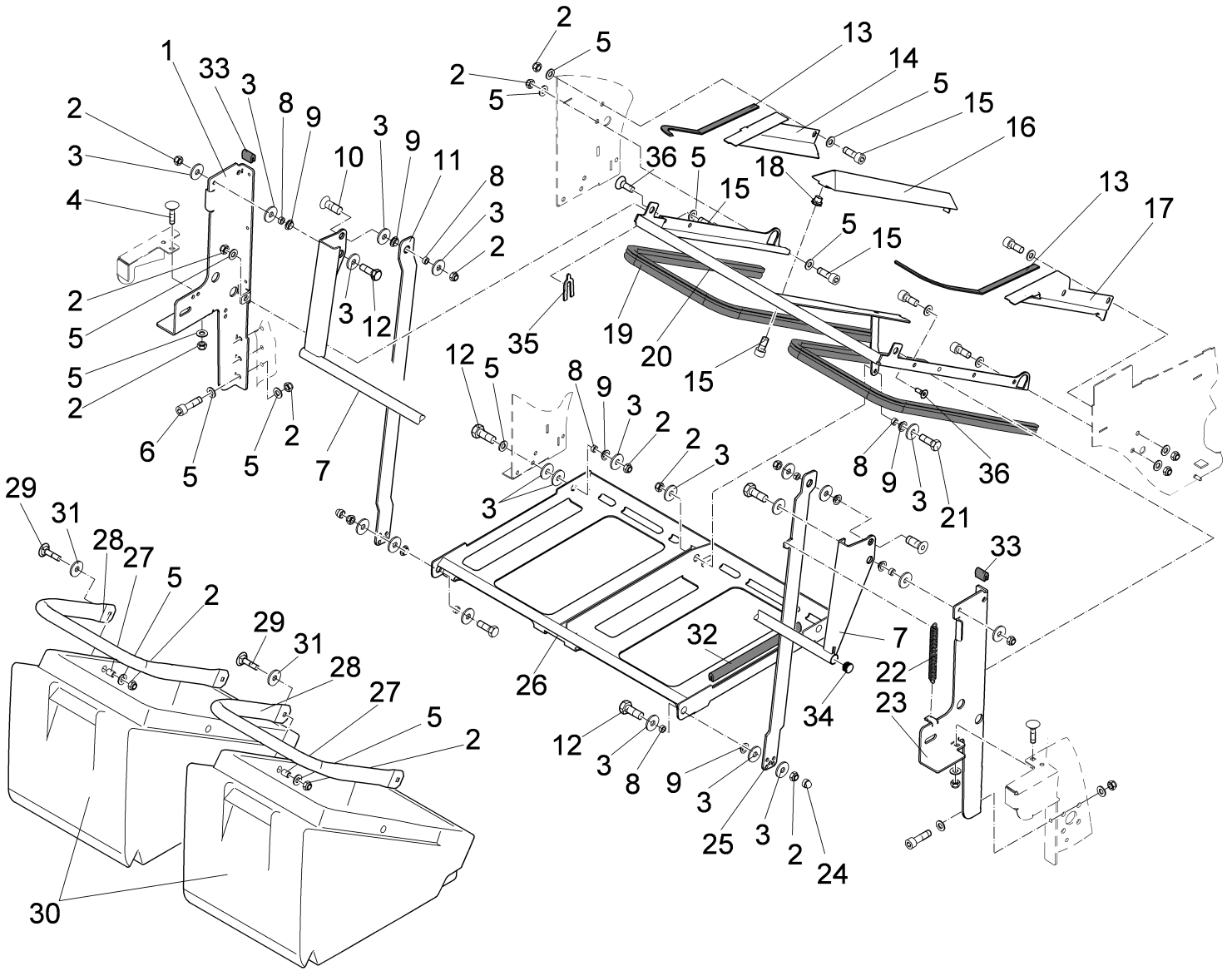
Filter installation
Rev.B 05/11



Filter installation (97076863 6502-20)
 Rev.B 05/11

Item	Spare part number	Description	Qty.	Remarks
35	01131200	Push rod	1	
36	01131210	Air vent	1	
37	01131440	Socket head cap screw	2	
38	01075290	Gasket TESAMOLL	610mm	
39	00740360	Cable sleeve	1	
40	00023290	Thrust washer	1	
41	01131520	Actuating cable	1	
42	00830680	Hose	1810mm	
43	01000890	Vibration motor	1	
44	01133000	Special plate filter	1	
45	01130170	Bush	4	
46	01133210	Locknut	4	

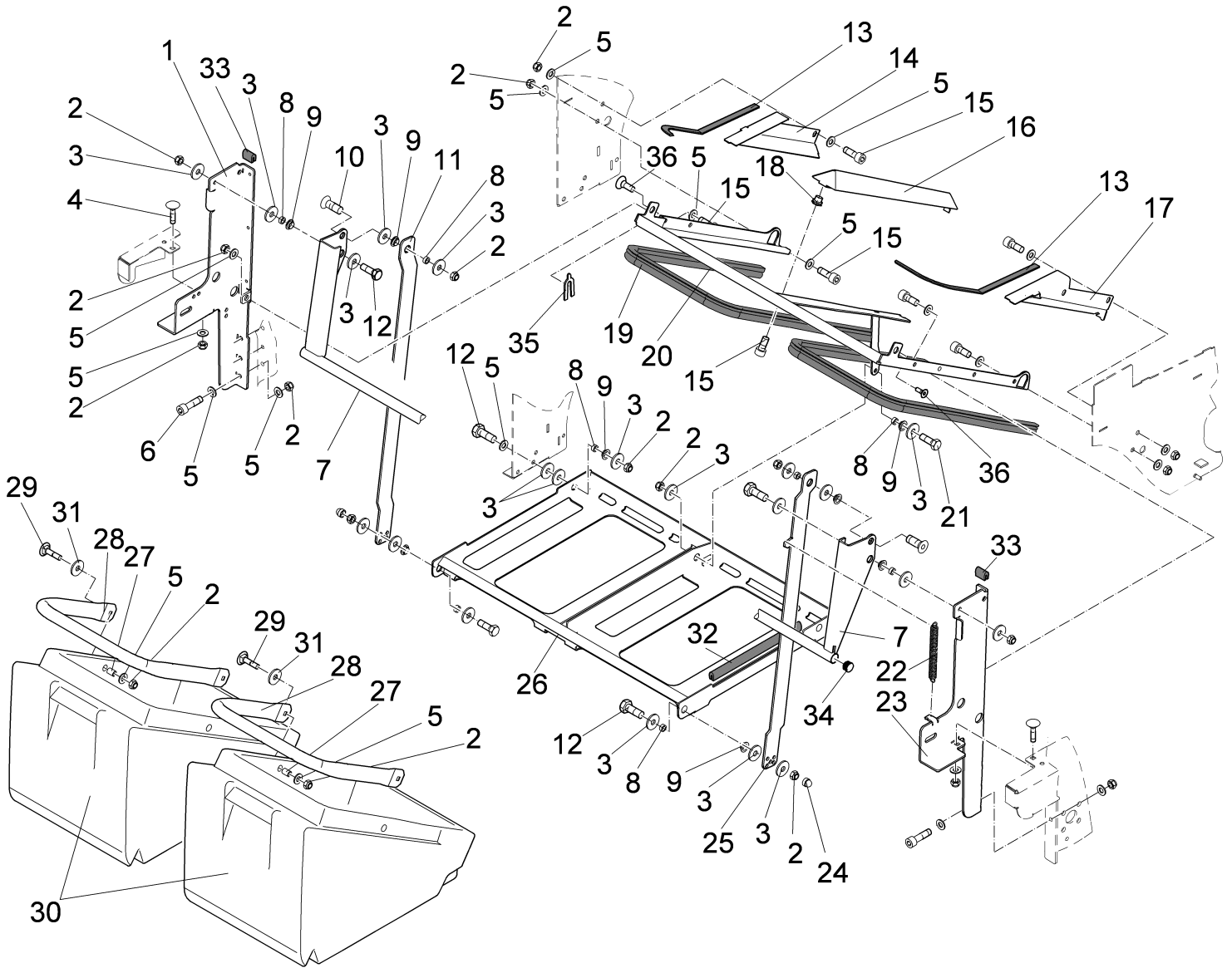
Dirt hopper - Dirt hopper lifter
Rev.B 05/11



Dirt hopper - Dirt hopper lifter (97076822)
Rev.B 05/11

Item	Spare part number	Description	Qty.	Remarks
1	01130050	Holder, L.H.	1	
2	00051510	Hexagon nut	26	
3	00042900	Washer	24	
4	00878410	Screw	2	
5	00053750	Washer	37	
6	00103300	Socket head screw	6	
7	01130060	Handle	1	
8	01130070	Bush	9	
9	01130080	Slide bearing bush	9	
10	00101500	Countersunk screw	2	
11	01130090	Sheet metal	1	
12	00053100	Hexagon screw	6	
13	01130200	Gasket	1240mm	
14	01130300	Sheet metal L.H.	1	
15	00045540	Cylinder head screw	11	
16	01130100	Plate filter	1	
17	01130310	Sheet metal, R.H.	1	
18	01130110	Nut	1	
19	00750430	Edge protection	2510mm	
20	01130120	Sealing plate	1	
21	00077110	Hexagon screw	1	
22	01130130	Pull spring	1	
23	01130140	Holder, R.H.	1	
24	00131610	Lens cap	2	
25	01130150	Sheet metal	1	
26	01130160	Plate filter	1	
27	01130170	Bush	4	
28	01130180	Handle	2	
29	00078920	Screw	4	
30	01130190	Litter hopper	2	
31	00053770	Washer	4	
32	00161240	Edge protection	360mm	
33	00161240	Edge protection	60mm	
34	XXXXXXXXX	no part-No. til yet	2	15590664 Plug

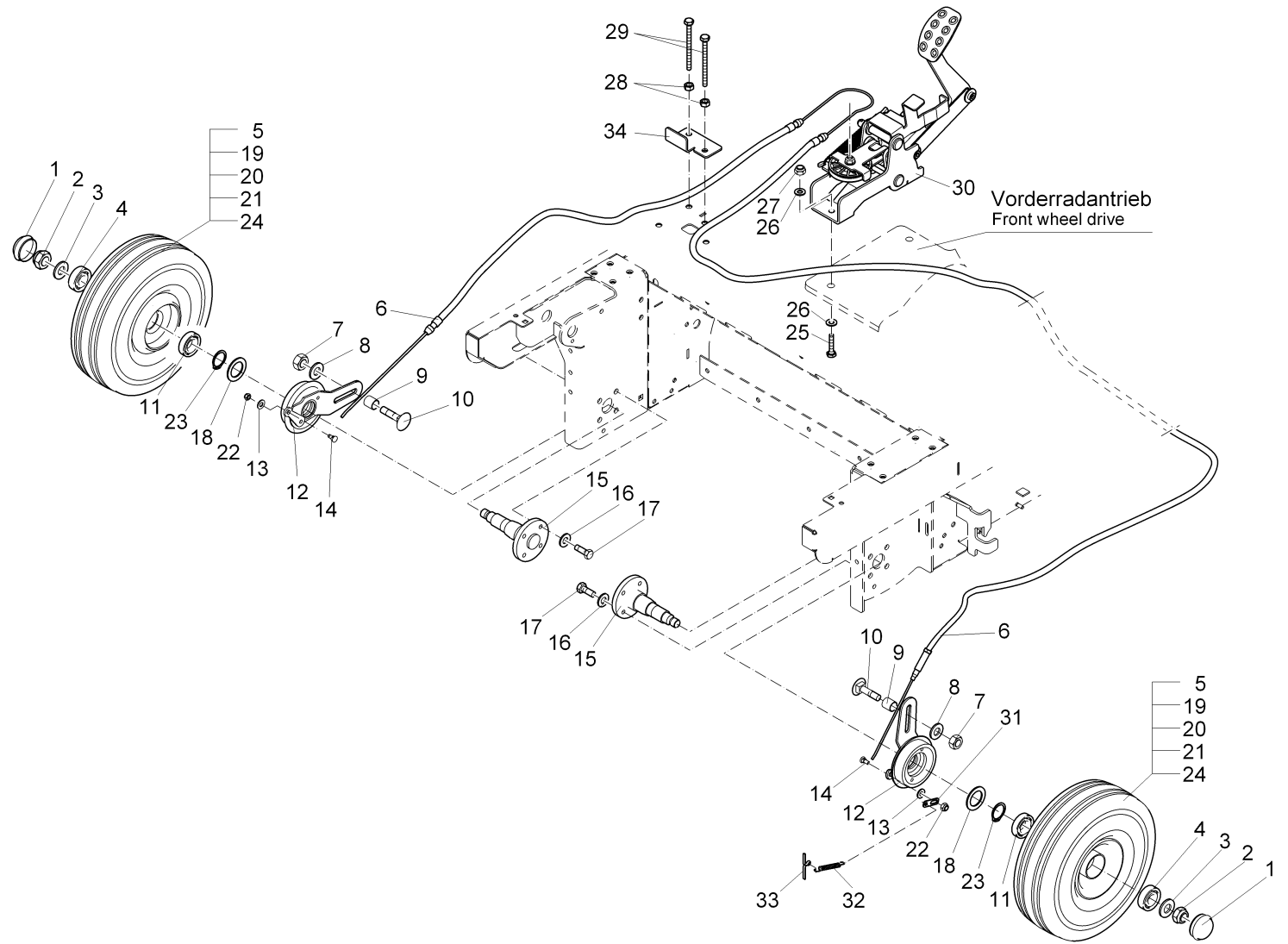
Dirt hopper - Dirt hopper lifter
 Rev.B 05/11



Dirt hopper - Dirt hopper lifter (97076822)
Rev.B 05/11

Item	Spare part number	Description	Qty.	Remarks
35	01131490	Sheet metal	2	
36	00059080	Countersunk screw	2	

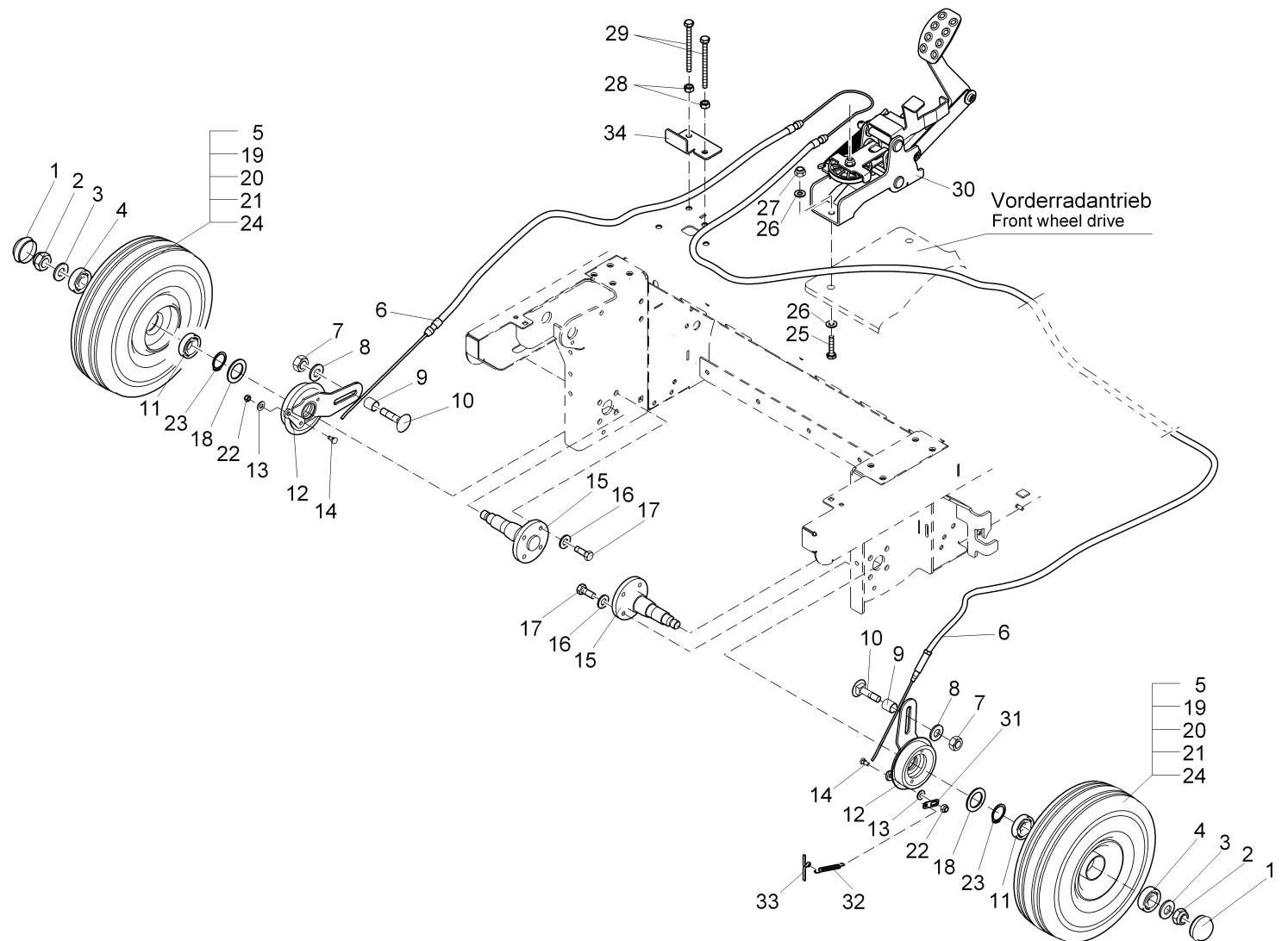
Rear wheel (massive) - Brake - Brake pedal
 Rev.B 05/11



Rear wheel (massive) - Brake - Brake pedal (97081491)
Rev.B 05/11

Item	Spare part number	Description	Qty.	Remarks
1	01131060	Cap	2	
2	00135350	Hexagon nut	2	
3	00053790	Washer	2	
4	00706370	Deep groove ball bearing	2	
5	01133030	Tyre	2	
6	01130350	Bowden cable for brake	1	
7	00074710	Hex. Nut	2	
8	00053760	Washer	2	
9	01130780	Bush	2	
10	01130790	Cup head square neck bolt	2	
11	00281050	Deep groove ball bearing	2	
12	01131080	Brake	2	
13	00053730	Washer	2	
14	01133970	clamping screw	2	
15	01131090	Axle with flange	2	
16	00740290	Detent edged washer	8	
17	00021130	Hex.bolt	8	
18	01133960	washer	2	
19	01132990	Brake drum	2	
20	00054230	Retaining ring	2	
21	00137020	Cylinder head screw	12	
22	00053330	Hexagon nut	2	
23	00863220	Retaining ring	2	
24	01133010	Rim half	2	
25	00054690	Hexagon screw	2	
26	00053750	Washer	4	
27	00051510	Hexagon nut	2	
28	00053350	Hexagon nut	2	
29	00074500	Hex.bolt	2	
30	97077358-6502-20	Brake pedal	Page	76
31	01133700	mounting link	1	
32	00853650	Tension spring	1	
33	00054890	Cotter pin	1	

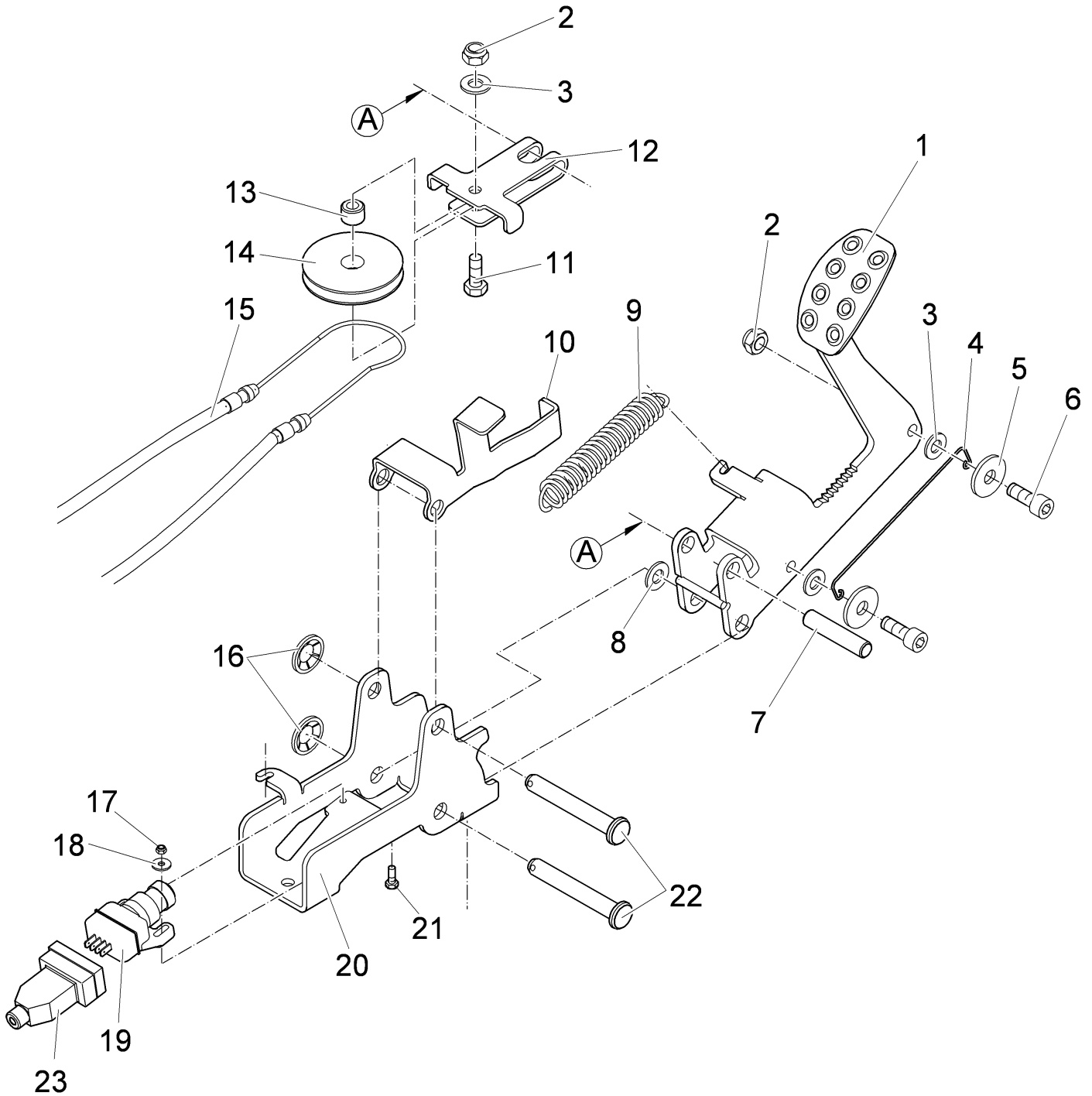
Rear wheel (massive) - Brake - Brake pedal
 Rev.B 05/11



Rear wheel (massive) - Brake - Brake pedal (97081491)
Rev.B 05/11

Item	Spare part number	Description	Qty.	Remarks
34	01131320	Stop angel	1	

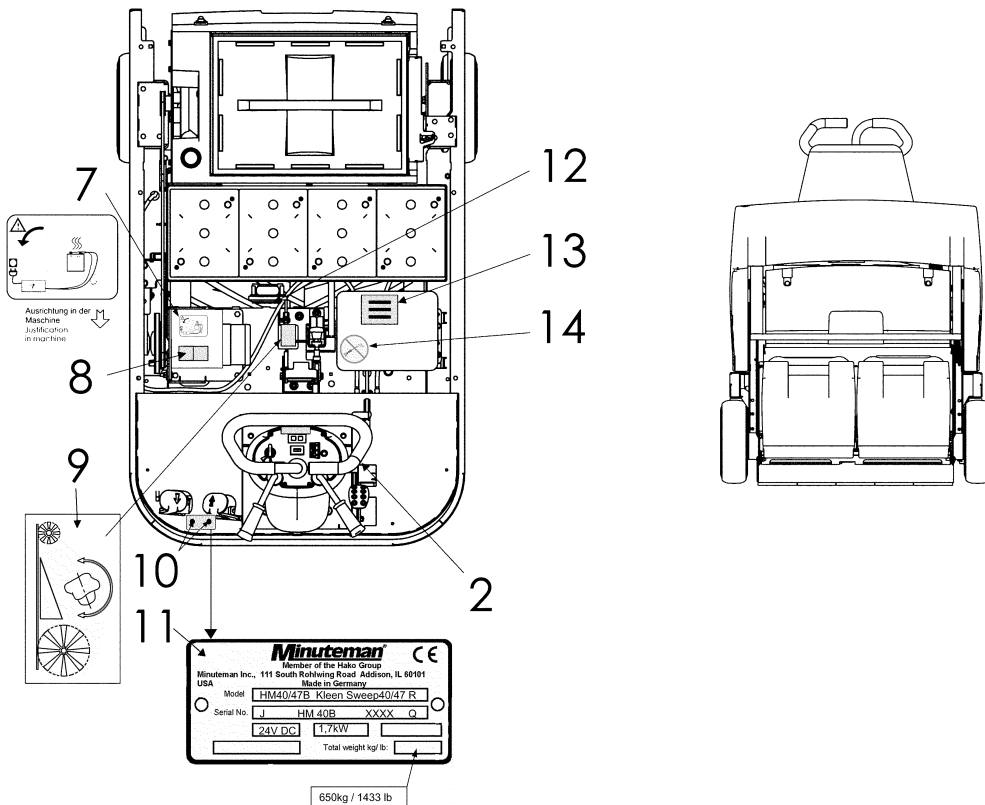
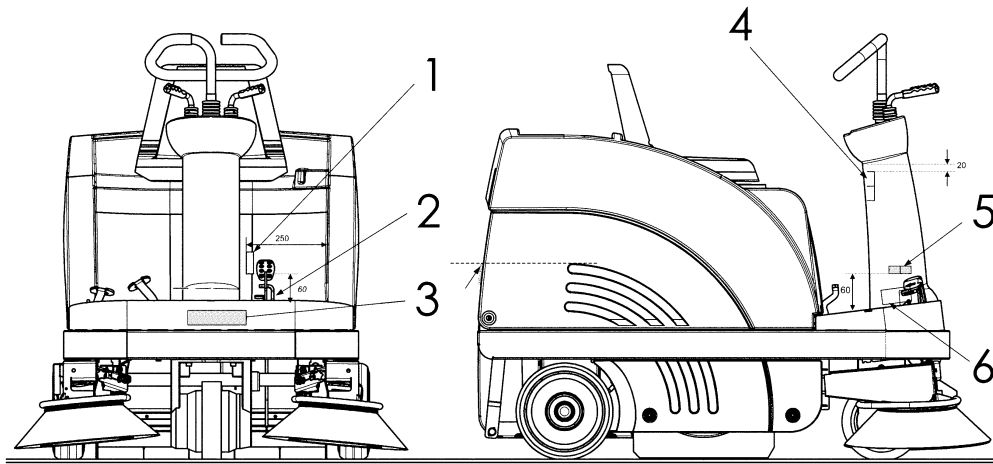
Brake pedal
Rev.B 05/11



Brake pedal (97077358-6502-20)
Rev.B 05/11

Item	Spare part number	Description	Qty.	Remarks
1	01130320	Pedal brake	1	
2	00051510	Hexagon nut	3	
3	00053750	Washer	3	
4	00854270	Handle	1	
5	00042900	Washer	2	
6	00124290	Cylinder head screw	2	
7	01130330	Bolt	1	
8	00555130	Sealing ring	1	
9	01055930	Tension spring	1	
10	01130340	Barrier lever	1	
11	00053110	Hexagon screw	1	
12	03003170	Handle	1	
13	00974400	Bushing	1	
14	00521270	Roller	1	
15	01130350	Bowden cable for brake	1	
16	00706180	Thrust washer	2	
17	00133830	Hex. Nut	2	
18	00557150	Washer	2	
19	00927610	Switch	1	
20	03003180	Bracket	1	
21	00108490	Hex.bolt	2	
22	00879630	Bolt	2	
23	00927630	Cap	1	

Lables
Rev.B 05/11



Lables (97089916)
 Rev.B 05/11

Item	Spare part number	Description	Qty.	Remarks
1	01131540	Lable brush apron	1	
2	01131550	Lable brake	1	
3	03009030	Decal MINUTEMAN	1	
4	01071710	Decal "Instruction manual"	1	
5	01131560	Decal PARKING BRAKE	1	
6	03008790	Backing film	1	
7	01131600	Lable battery charging	1	
8	01131590	Decal ROTATING PARTS	1	
9	01133940	decal ADJUSTABLE SWEEPER ROLLER	1	
10	00504370	Blind rivet	2	
11	03008630	Type plate MINUTEMAN	1	
12	00871160	Decal 24V	1	
13	01055410	Decal	1	
14	01131570	Lable high-pressure cleaner	1	

Minuteman International Made Simple Commercial Limited Warranty

Minuteman International, Inc. warrants to the original purchaser/user that the product is free from defects in workmanship and materials under normal use. Minuteman will, at its option, repair or replace without charge, parts that fail under normal use and service when operated and maintained in accordance with the applicable operation and instruction manuals. All warranty claims must be submitted through and approved by factory authorized repair stations.

This warranty does not apply to normal wear, or to items whose life is dependent on their use and care, such as belts, cords, switches, hoses, rubber parts, electrical motor components or adjustments. Parts manufactured by Minuteman are covered by and subject to the warranties and/or guarantees of their manufacturers. Please contact Minuteman for procedures in warranty claims against these manufacturers.

Special warning to purchaser -- Use of replacement filters and/or prefilters not manufactured by Minuteman or its designated licensees, will void all warranties expressed or implied. A potential health hazard exists without original equipment replacement.

All warranted items become the sole property of Minuteman or its original manufacturer, whichever the case may be.

Minuteman disclaims any implied warranty, including the warranty of merchantability and the warranty of fitness for a particular purpose. Minuteman assumes no responsibility for any special, incidental or consequential damages.

This limited warranty is applicable only in the U.S.A. and Canada, and is extended only to the original user/purchaser of this product. Customers outside the U.S.A. and Canada should contact their local distributor for export warranty policies. Minuteman is not responsible for costs or repairs performed by persons other than those specifically authorized by Minuteman. This warranty does not apply to damage from transportation, alterations by unauthorized persons, misuse or abuse of the equipment, use of non-compatible chemicals, or damage to property, or loss of income due to malfunctions of the product.

If a difficulty develops with this machine, you should contact the dealer from whom it was purchased.

This warranty gives you specific legal rights, and you may have other rights which vary from state to state. Some states do not allow the exclusion or limitation of special, incidental or consequential damages, or limitations on how long an implied warranty lasts, so the above exclusions and limitations may not apply to you.

Cord Electric Group Three years parts, two years labor, ninety days travel (Not to exceed two hours)

Exceptions..... Port-A-Scrub, one year parts, six months labor
MPV 13, one year parts
V-14, one year parts, one year labor
MPV 14 and 18, two years parts, one year labor
RapidAir blower, one year parts, one year labor
Explosion-Proof Vacuum, one year parts, one year labor
X12 and X12H, one year parts, one year labor
TRS 14, one year parts, one year labor

Battery Operated Group..... Three years parts, two years labor, ninety days travel
(Not to exceed two hours)

Exceptions..... Sweepers, one year parts, one year labor, ninety days travel
(Not to exceed two hours)

Internal Combustion Group.... One year parts, one year labor, ninety day travel
(Not to exceed two hours)

Battery Chargers..... One year replacement

Replacement Parts..... Ninety days

Batteries..... 0-3 months replacement, 4-12 months pro-rate

Polypropylene Plastic Tanks... Ten years, no additional labor