

Max Ride 26 Floor Scrubber Disc Brush Drive



PREFACE

Thank you for your purchase of the new industry standard for scrubbers. Minuteman International takes great pride in offering the most dependable, reliable and best value in industrial power sweepers and sweeper / scrubbers. We set the standard.

Our Customer Service Department would like to hear from you. If you see any errors, omissions or something that needs clarification in this Parts Catalog please let us know. We are working hard towards continually improving our processes to bring you the best you deserve. Please copy the form below, fill out and comment on how you found our catalog.

Thank you!

The Minuteman International Team

Name: _____

Title: _____

Company Name: _____

Address: _____

Country: _____

Type of equipment or model number: _____

Comments: _____

Please return to:

Customer Service Manager
Minuteman International, Inc.
14N845 U.S. Route 20
Pingree Grove, Illinois 60140 USA

Phone: (800) 323-9420

Email: tech@minutemanintl.com

TECHNICAL SPECIFICATIONS

Model **Max Ride 26**

Models: A-MR26D, A-MR26DQP, A-MR26DQPG, A-MRDINT, A-MRDQPINT,
A-MR26DS, A-MR26DSQP, A-MR26DSQPG, A-MR26DSINT, A-MR26DSQPINT

| Model | MAX Ride 26 |
|------------------------------|--|
| Scrub Head Type | Disc |
| Scrub Path | 26 in/two 13" brushes (66 cm) |
| Solution Capacity | 21 gal (79L) |
| Recovery Capacity | 23.5 gal (89L) |
| Max Speed | 3.1 mph (5 kh) |
| Max Productivity | 32,490 sq. ft/hr (3018 sq. m/hr) |
| Actual Productivity | 24,562 sq. ft/hr (2282 sq. m/hr) |
| Brush Pressure | 74 lbs/102 Nm |
| Brush Speed | 175-400 RPM |
| Brush Motor | 400/600 watts |
| Vacuum Motor | 550 watts |
| Vacuum Airflow | 69 cfm (32.4L /sec) |
| Vacuum Waterlift | 68" H2O (172 cm H2O) |
| Sound Pressure | 68 dba |
| Water Flow | .45 gpm (1.7L / min) |
| Min. Turn-Around Aisle Width | 55" (140 cm) |
| Maximum Ramp Climbing | 2% |
| Squeegee Width | 31" (78 cm) |
| Machine Voltage | 24 VDC |
| Power Source | Battery (2) 12V 210 AH |
| Battery Charger | On Board |
| Maximum Run Time | 3-3.5 hrs. |
| Dimensions W/ Squeegee | 52"L x 31"W x 45" H (132 cm x 78 cm x 114 cm) |
| Weight Without Batteries | 437 lbs (198 kg) No Solution |
| Weight With Batteries | 882 lbs (400 kg) Full Solution and 210 AH battery pack |
| Approvals | None |
| IP Protection Class | IPX4 |

Table of Contents

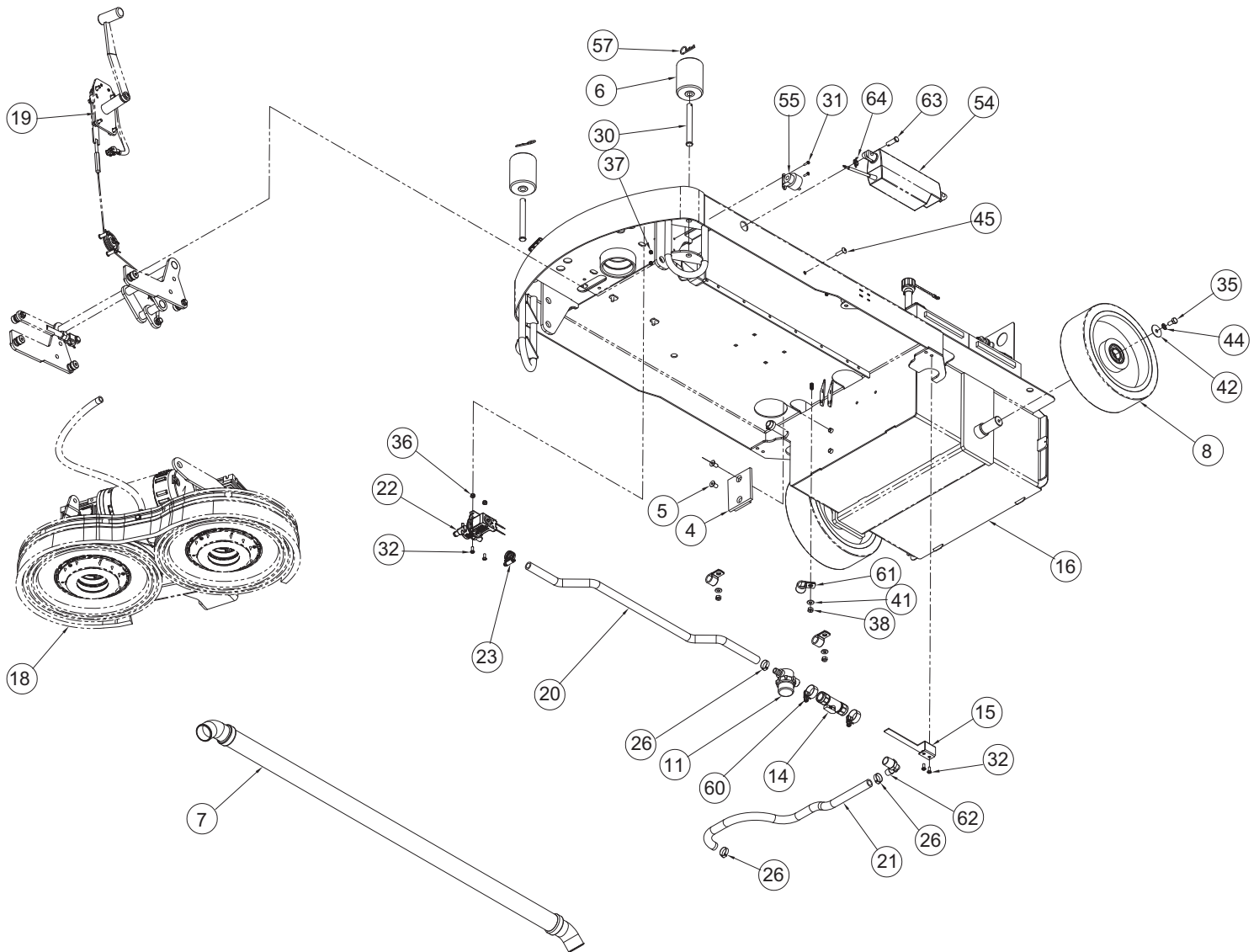
| | |
|--|----|
| Preface | 2 |
| Technical Specifications | 3 |
| Brush, Battery and Charger Options | 5 |
| Frame Group | 6 |
| Tower Group | 10 |
| Drive Wheel | 12 |
| Tank Group | 14 |
| Electrical Panel Assembly | 18 |
| Steering Column Group | 20 |
| Scrub Head Group | 22 |
| Scrub Head Lift Group | 24 |
| Squeegee Group | 26 |
| Squeegee Lift Group | 28 |
| Wiring Diagrams - ECO Models | 30 |
| Wiring Diagrams - Sport Models | 38 |

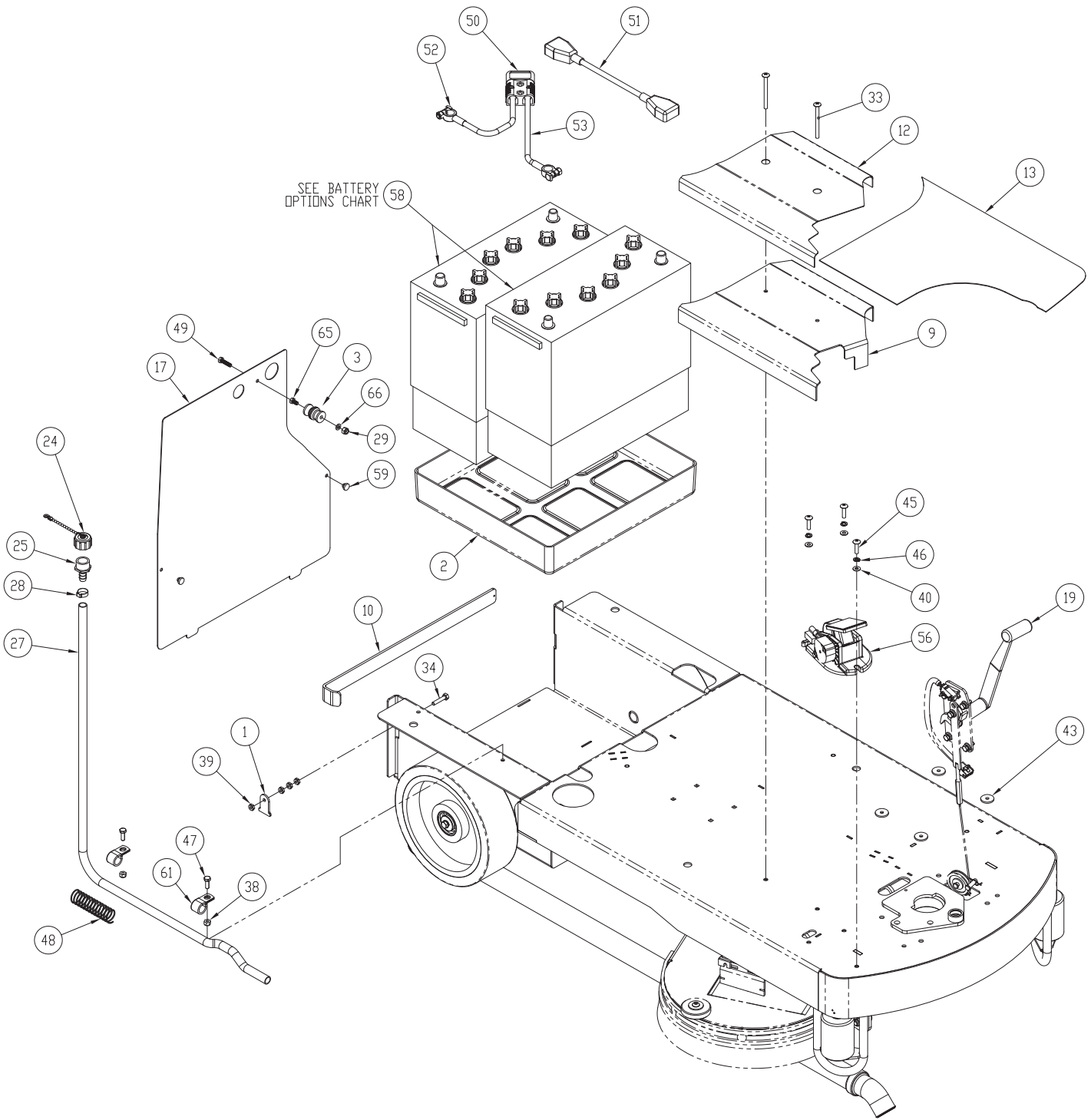
Brush, Battery and Charger Options

| BATTERY AND CHARGER OPTIONS | | | |
|---|------------------|------------------|------------------------|
| MODEL | BATTERY PART NO. | CHARGER PART NO. | DESCRIPTION |
| A-MR26DQPG, A-MR26DSQPG | 956748 | 957764-4 | BATTERY, 12V 234AH AGM |
| A-MR26DQP, A-MR26DQPINT, A-MR26DSQP, A-MR26DSQPINT | 956705 | 957764-2 | BATTERY, 12V 210AH |

| BRUSH OPTIONS | | | |
|---------------|--------------------------------------|------------------|----------------------------------|
| | | AQUASTOP BRUSHES | |
| PART # | DESCRIPTION | PART # | DESCRIPTION |
| 245818-1 | BRUSH-DISC, 13" NYLON, BLACK | 99751310 | BRUSH-LIGHT DUTY (SP), WHITE 13" |
| 245818-3 | BRUSH-DISC, 13" 80GR GREEN | 99730710 | BRUSH-MEDIUM GRAY 13" |
| 245818-2 | PAD DRIVER, 13" | 99751910 | BRUSH-HEAVY, GRAY 13" |
| 762370 | PAD RETAINER - REMOVABLE - NOT SHOWN | | |
| 762394 | PAD RETAINER - FIXED - NOT SHOWN | | |

Frame Group



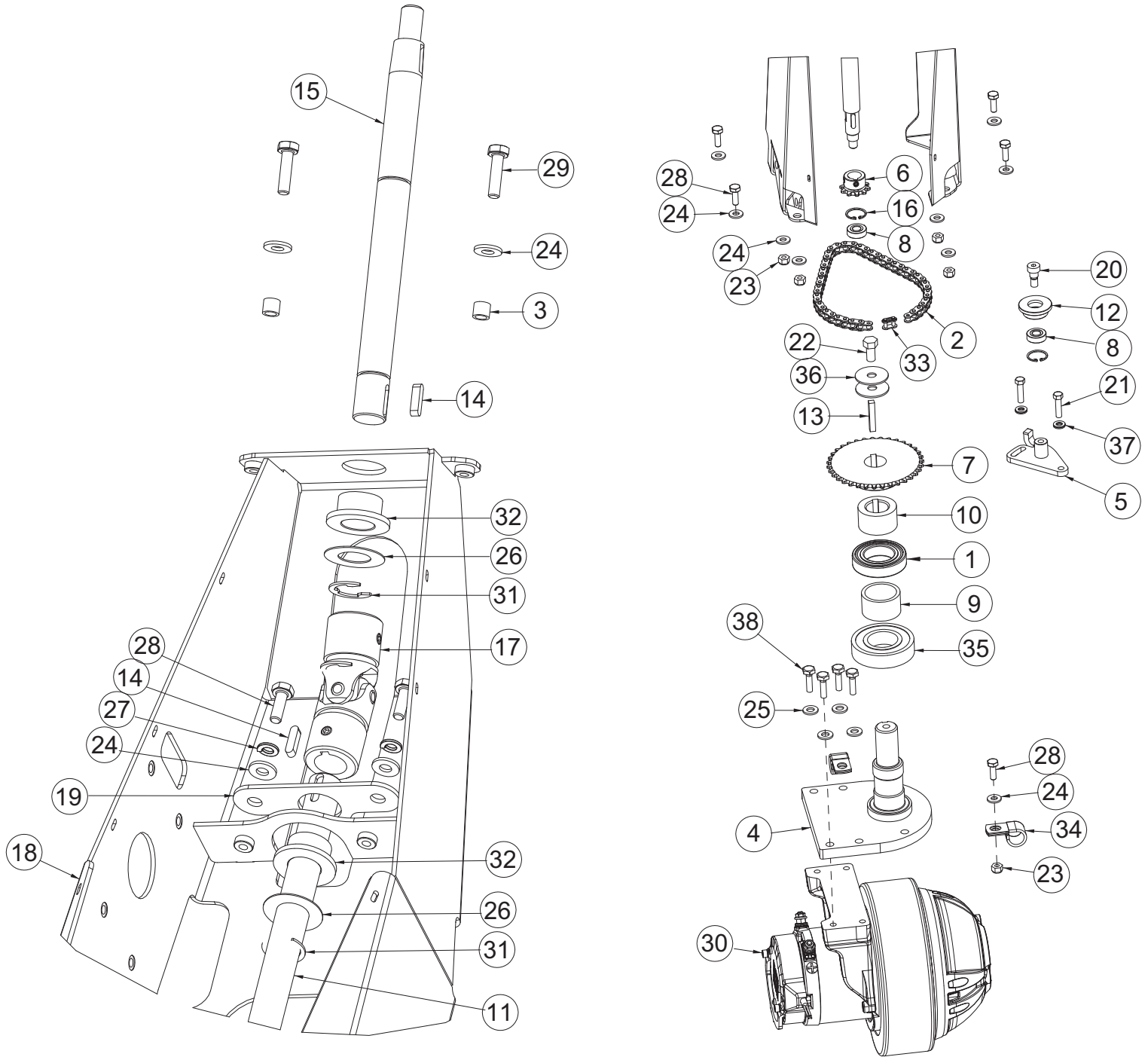


Frame Group BOM

| BILL OF MATERIAL - 246570 | | | |
|---------------------------|----------|-----|--|
| ITEM | PART NO. | QTY | DESCRIPTION |
| 1 | 245213 | 1 | RETAINER-BATTERY BAR |
| 2 | 245216 | 1 | BOX-BATTERY-MAX 26 |
| 3 | 245222 | 1 | LATCH-RUBBER |
| 4 | 245304 | 1 | BLOCK, SLIDE |
| 5 | 245338 | 2 | SCR-FHSCS 5/16-18 X 5/8 SS |
| 6 | 245419 | 2 | ROLLER, BUMPER, 2.5 DIA. |
| 7 | 245450 | 1 | HOSE-VAC, CLEAR 1.50"ID X 43 LONG |
| 8 | 245461 | 2 | WHEEL - ASSY, IDLER, 254 x 80 W/BRGS |
| 9 | 245570 | 1 | WELDMENT, RISER, 26" |
| 10 | 245662 | 1 | BAR, BATTERY RETAINER |
| 11 | 245781 | 1 | FILTER - 1/2 MPT X 1/2 HB |
| 12 | 245803 | 1 | TREAD, ANTI-SKID, RISER 26" |
| 13 | 245804 | 1 | TREAD, ANTI-SKID, FRAME 26" |
| 14 | 245845 | 1 | VALVE- BALL 1/2 FPT X 1/2 FPT |
| 15 | 246073 | 1 | PLATE - MTG - BALL VALVE AND FILTER |
| 16 | 246540 | 1 | WELDMENT, FRAME, 26 |
| 17 | 246549 | 1 | COVER, REAR 26 |
| 18 | 246573 | 1 | SCRUB HEAD GROUP 26" |
| 19 | 246574 | 1 | SCRUB HEAD LIFT GROUP, 26" |
| 20 | 246650 | 1 | TUBING, .50 ID X .13 WAL BRA VIN 28.0 IN |
| 21 | 246651 | 1 | TUBING, .50 ID X .13 WAL BRA VIN 22.0 IN |
| 22 | 247103-2 | 1 | WATER VALVE ASSY, 24 VDC |
| 23 | 247693 | 1 | CLAMP, HOSE, WORM .5 TO .906 DIA 301 SS |
| 24 | 283690 | 1 | ASSY, BREATHER CAP W LANYARD |
| 25 | 342445 | 1 | FTG-GARDEN ST 1/2 HB PP |
| 26 | 383347 | 4 | CLAMP - 1 EAR .827 DIA STEEL ZINC |
| 27 | 430232 | 1 | HOSE, 1/2 ID X 48", CLEAR |
| 28 | 450076 | 1 | CLAMP - 1 EAR .748 DIA 304SS |
| 29 | 600933 | 1 | NUT-NYLOC M6-1.00 SS |
| 30 | 620027 | 2 | PIN-CLEVIS 1/2 X 4.50 ZP |
| 31 | 710204 | 2 | SCR-PHMS 6-32 X .50 ZP |
| 32 | 710355 | 4 | SCR-RHMS 10-32 X .50 ZP |
| 33 | 710592 | 2 | SCR-THMS 1/4-20 X 3.00 SS |
| 34 | 711210 | 1 | SCR-HH 1/4-20 X 1.25 ZP GR 5 FULL THRD |
| 35 | 711227 | 2 | SCR-HH 5/16-18 X .62 ZP GR 5 |
| 36 | 711350 | 2 | NUT-NYLOC 10-32 ZP |
| 37 | 711371 | 2 | NUT-NYLOC 6-32 ZP |
| 38 | 711373 | 5 | NUT-NYLOC 1/4-20 ZP |

| BILL OF MATERIAL - 246570 | | | |
|---------------------------|----------|-----|--|
| ITEM | PART NO. | QTY | DESCRIPTION |
| 39 | 711387 | 4 | NUT-JAM 1/4-20 ZP NYLOC |
| 40 | 711504 | 3 | WASHER-FLAT 1/4 SS |
| 41 | 711505 | 5 | WASHER-FLAT 1/4 ZP |
| 42 | 711516 | 2 | WASHER-FLAT 5/16 X 1.25 X .05 ZP |
| 43 | 711529 | 4 | WASHER-RUBBER .25 x 1.00 x .110 |
| 44 | 711545 | 2 | WASHER-LOCK 5/16 SPLIT ZP |
| 45 | 712541 | 4 | SCR-THMS 1/4-20 X 1.00 SS |
| 46 | 712758 | 3 | WASHER-LOCK 1/4 SPLIT SS |
| 47 | 713002 | 2 | SCR-HH 1/4-20 X .75 ZP 5 |
| 48 | 718371 | 1 | SPRING, COMPRESS, .845OD .067W 4.00L SS |
| 49 | 731006 | 1 | SCR-HH M6-1.00 X 25 ZP CLASS 8.8 |
| 50 | 740159 | 1 | CONNECTOR-SB175 RED HOUSING |
| 51 | 740164-1 | 1 | CABLE ASSY- BATTERY JUMPER |
| | 748482 | | CABLE ASSY- BATTERY JUMPER (AGM MODELS) |
| 52 | 740167 | 1 | BATTERY CABLE, POSITIVE |
| | 748480 | | BATTERY CABLE, POSITIVE (AGM MODELS) |
| 53 | 740168 | 1 | BATTERY CABLE, NEGATIVE |
| | 748481 | | BATTERY CABLE, NEGATIVE (AGM MODELS) |
| 54 | 740827-1 | 1 | ACTUATOR - 40MM STROKE- 750 N FORCE TERM |
| 55 | 748200 | 1 | HORN / BACK UP ALARM, 9-48VDC |
| 56 | 748507 | 1 | PEDAL ASSY, THROTTLE, FLOOR MTG 25°, IEC |
| 57 | 833374 | 2 | PIN-HAIRPIN COTTER 3/8 |
| 58 | *** | 2 | BATTERIES (SEE CHART ON PAGE 5) |
| 59 | 3300526 | 2 | BUMPER-RUBBER 1/4 ID X 1/8 THK |
| 60 | 3300535 | 2 | CLAMP - SCREW .5" to 1.25" DIA 201SS |
| 61 | 3301158 | 5 | CLAMP - WIRE & TUBE .687 DIA STEEL |
| 62 | 3315535 | 1 | FTG-ELBOW 90 1/2 MPT X 1/2 HB PP |
| 63 | 3400117 | 1 | PIN-CLEVIS 3/8 x 1.125 ZP |
| 64 | 3400125 | 1 | RING-RUE 3/8 |
| 65 | 11038064 | 1 | BLT-HH M6 X 1.0 X 12 STL ZD 8.8 DIN 933 |
| 66 | 12310033 | 1 | WASHER-FLAT M6.4 X 12 X 1.6 ZP |

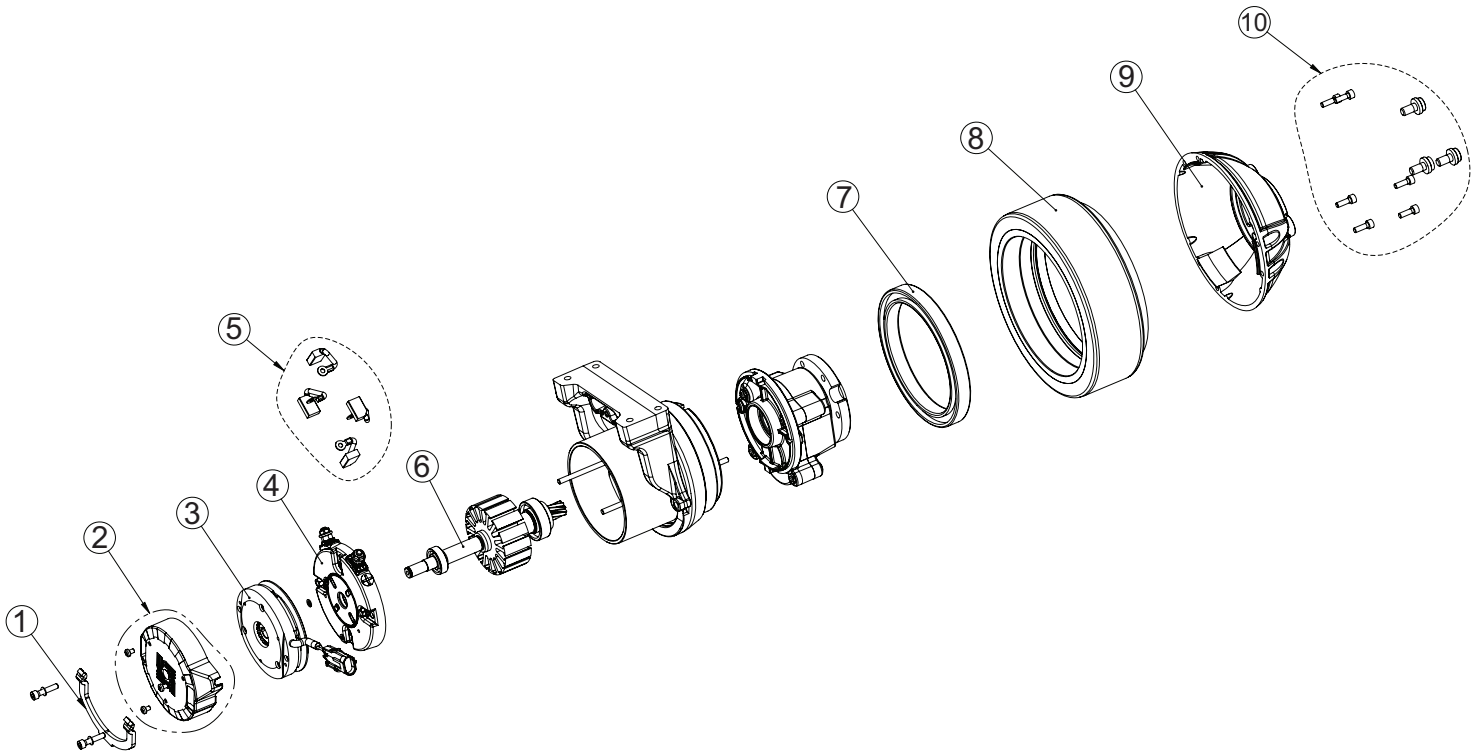
Tower Group



Tower Group BOM

| BILL OF MATERIAL - 246164 | | | |
|---------------------------|------------|-----|--|
| ITEM | PART NO. | QTY | DESCRIPTION |
| 1 | 245416 | 1 | BALL BEARING 35MM X 62MM OD X 14MM W |
| 2 | 245445-1 | 1 | CHAIN - ROLLER #35 - 45P |
| 3 | 245583 | 2 | SPACER, .266 B, .313 OD, .313 T |
| 4 | 246022 | 1 | WELDMENT, SPINDLE, STEERING |
| 5 | 246025 | 1 | WELDMENT, BRKT, TENSION, CHAIN, STEERING |
| 6 | 246028 | 1 | SPROCKET, ANSI 35, 10 TOOTH, 0.375P, 0.6 |
| 7 | 246029 | 1 | SPROCKET, ANSI 35, 35 TOOTH, 0.375P, 1.0 |
| 8 | 246030 | 2 | BEARING, BALL, 0.375B 0.875D, SEALED |
| 9 | 246031 | 1 | SPACER, 1.75D 1.44B 1.12L, STL |
| 10 | 246032 | 1 | PIVOT, STOP, STEERING |
| 11 | 246033 | 1 | SHAFT, STEERING, LOWER |
| 12 | 246034 | 1 | GUIDE, TENSION, CHAIN |
| 13 | 246035 | 1 | KEY, SQ, 0.25 X 0.25 X 1.50 |
| 14 | 246036 | 3 | KEY, SQ, 0.18 X 0.18 X 0.75 |
| 15 | 246037 | 1 | SHAFT, STEERING, UPPER |
| 16 | 246038 | 2 | RING, RTNR, 0.971D 0.046T, STL |
| 17 | 246039 | 1 | U-JOINT, 25DEG, 0.75B 1.06D 3.75L |
| 18 | 246040 | 1 | WELDMENT, TOWER, STEERING |
| 19 | 246042 | 1 | PLATE, BEARING, STEERING |
| 20 | 246067 | 1 | BLT-SHOULDER .375 X .312 LG BLK OX |
| 21 | 711207 | 2 | SCR-HH 1/4-20 X 1.00 ZP GR 5 |
| 22 | 711241 | 1 | SCR-HH 3/8-16 X .75 ZP GR 5 |
| 23 | 711373 | 5 | NUT-NYLOC 1/4-20 ZP |
| 24 | 711505 | 13 | WASHER-FLAT 1/4 ZP |
| 25 | 711506 | 4 | WASHER-FLAT 5/16 X .688 ZP |
| 26 | 711517 | 2 | WASHER-FLAT .77 X 1.37 X .03 |
| 27 | 711544 | 2 | WASHER-LOCK 1/4 SPLIT ZP |
| 28 | 713002 | 7 | SCR-HH 1/4-20 X .75 ZP 5 |
| 29 | 713003 | 2 | SCR-HH 1/4-20 X 1.00 ZP GR 5 |
| 30 | 748523 | 1 | WHEEL DRIVE, 24V 300W |
| 31 | 809148 | 3 | RET RING-E TYPE .75 |
| 32 | 832554 | 2 | BUSHING-FLG .7505 X 1.437 X .625 BRNZ |
| 33 | 833292 | 1 | CHAIN MASTER LINK #35 |
| 34 | 3301158 | 2 | CLAMP-CABLE 11/16" DIA |
| 35 | 3305667 | 1 | BEARING-MAIN BROOM |
| 36 | 3400092 | 2 | WASHER-FENDER 3/8 X 1.50 ZP |
| 37 | 3401570-7W | 2 | WASHER-NORD-LOCK, 1/4, 0.53 OD, ZP |
| 38 | 11038247 | 4 | SCR-HH M8-1.25 X 25 ZP CLASS 8.8 |

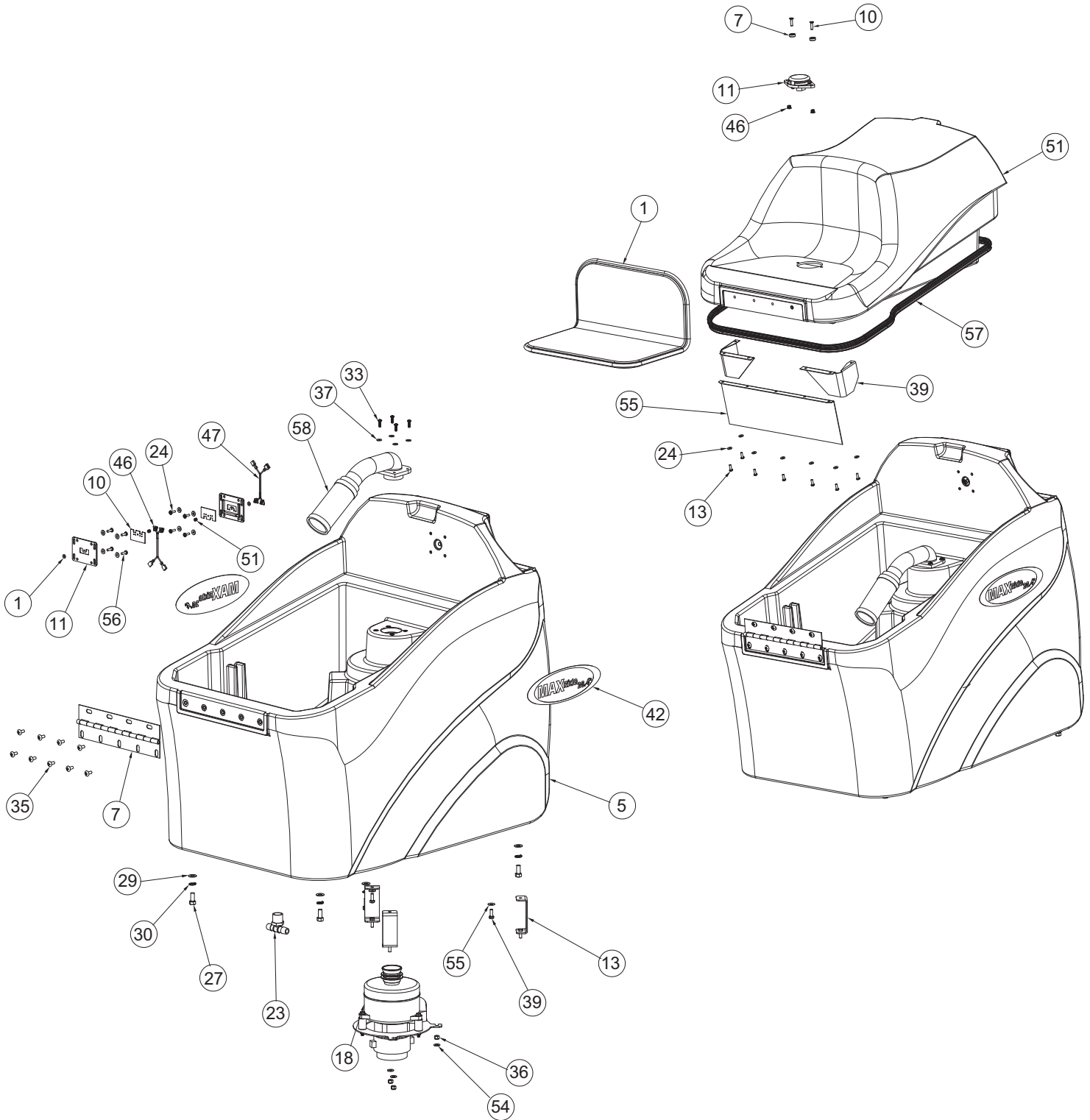
Drive Wheel

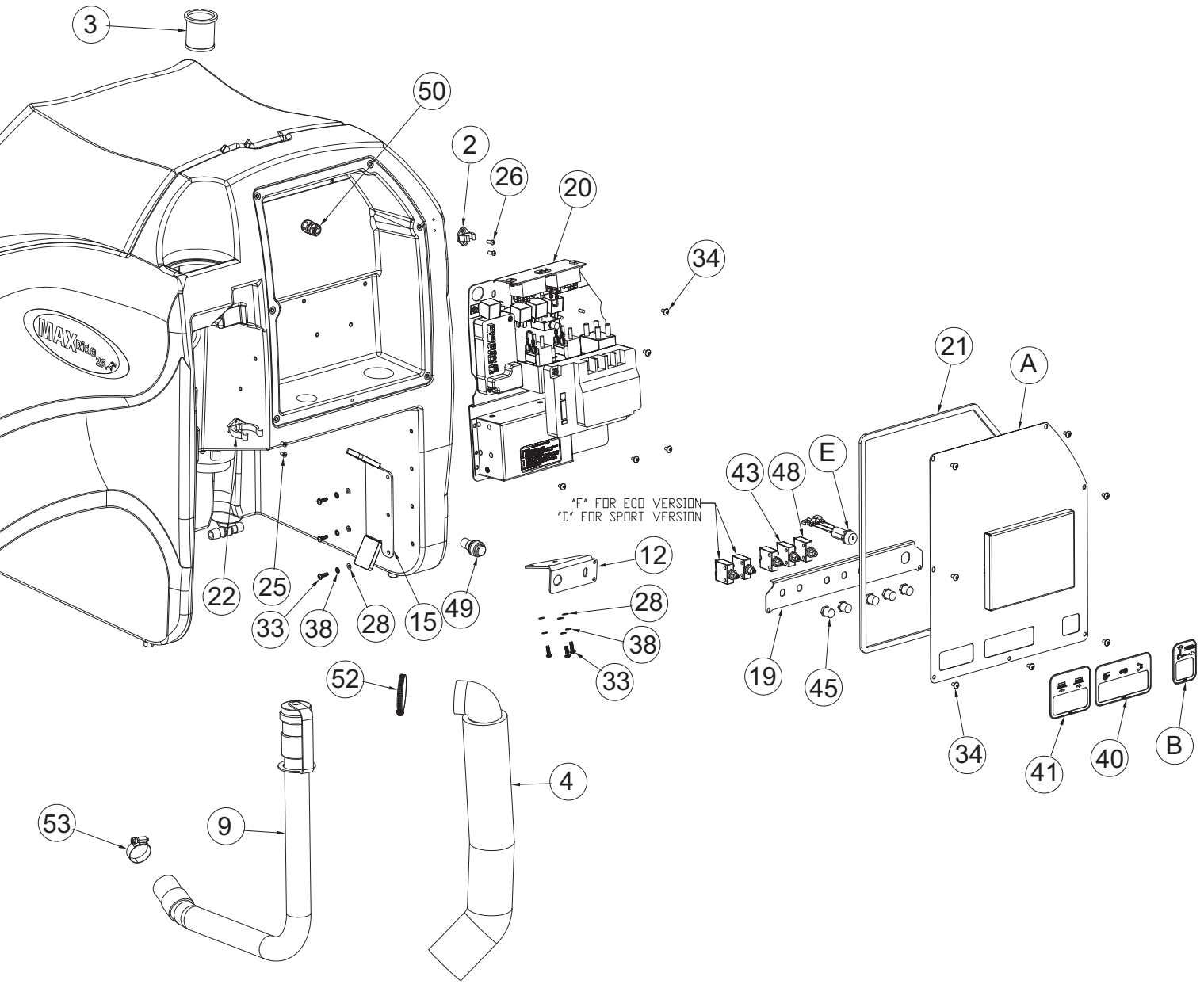


Drive Wheel

| BILL OF MATERIAL - 748523 | | | |
|----------------------------------|-----------------|------------|--------------------------------------|
| ITEM | PART NO. | QTY | DESCRIPTION |
| 1 | 2721029 | 1 | BRAKE RELEASE LEVER |
| 2 | 5000221 | 1 | KIT FOR SPARE BRAKE COVER AND SCREWS |
| 3 | 2720337 | 1 | ELECTRIC BRAKE |
| 4 | 6020412 | 1 | BRUSHES CAP (BRUSHES INCLUDED) |
| 5 | 2538004 | 1 | KIT SPARE BRUSHES (SET OF 4) |
| 6 | 6362284 | 1 | ROTOR |
| 7 | 2800759 | 1 | WHEEL BEARING |
| 8 | 4093466 | 1 | POLYURETHANE WHEEL |
| 9 | 4080935 | 1 | ALUMINUM HUB |
| 10 | 2538075 | 1 | KIT SPARE SCREWS FOR HUB AND WHEEL |

Tank Group





Tower Group BOM

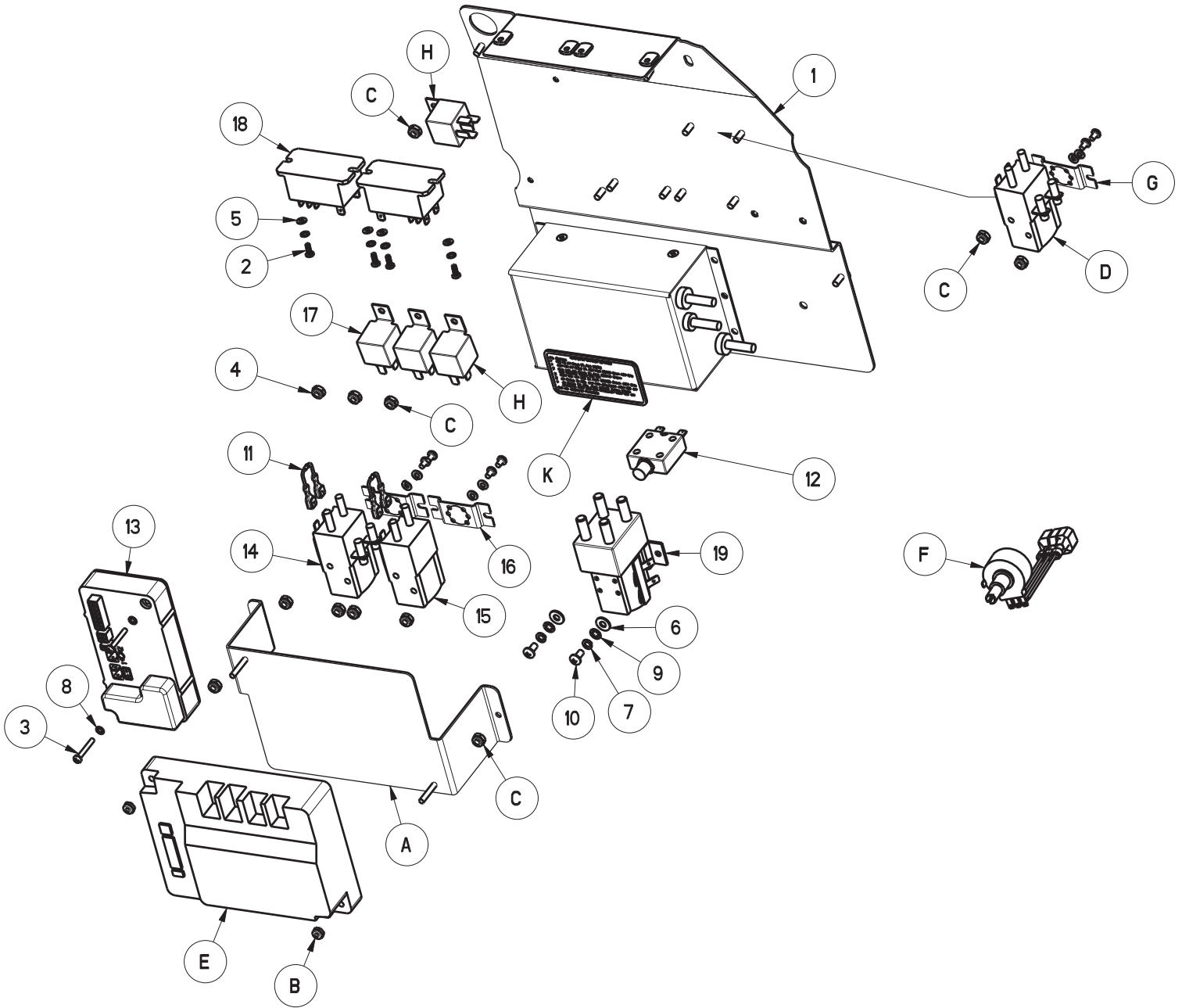
| BILL OF MATERIAL - 246576 | | | |
|---------------------------|----------|-----|--|
| ITEM | PART NO. | QTY | DESCRIPTION |
| 1 | 950-4-S | 2 | BACKUP PLATE - RIVET |
| 2 | 172065 | 1 | CLIP, FOR 1/2" ID HOSE |
| 3 | 172159 | 1 | FILTER, FILL PORT, ES1720 |
| 4 | 241049 | 1 | VAC MOTOR MUFFLER, SCV 24/26 |
| 5 | 245004 | 1 | TANK, SOLUTION & RECOVERY ER26-V |
| 6 | 245005 | 1 | LID, W/ SEAT, TANK, ER26-V |
| 7 | 245422 | 1 | HINGE, STEEL, 11.38" LONG |
| 8 | 245444 | 1 | SEAT-CUSHIONED, SEWN SEAT & BACK |
| 9 | 245452 | 1 | HOSE-DRAIN W/ TWIST VALVE 1.50" ID |
| 10 | 245453 | 2 | PLATE - INSERT, INTERCONNECT |
| 11 | 245456 | 2 | PLATE - BASE, INTERCONNECT |
| 12 | 245660 | 1 | BRACKET - MTG, REAR COVER LATCH & ELEC |
| 13 | 245663 | 3 | WELDMENT, VAC MOTOR PILLAR |
| 14 | 245766 | 2 | SKIRT-DRIP, LID, END PIECE |
| 15 | 245794 | 1 | HOLDER - CORD, W/ SOFT CAPS, BATT CHARGR |
| 16 | 245805 | 1 | SKIRT - DRIP, LID, CENTER 26" |
| 17 | 245817 | 2 | SPACER, .39 ID X .75 OD X .25 T, PVC |
| 18 | 245844 | 1 | ASSY, VACUUM & HOUSING |
| 19 | 245907 | 1 | BRACKET, BREAKER MOUNT, 26" |
| 20 | 246167 | 1 | ASSY, ELECTRICAL PANEL, 20/26 |
| 21 | 246184 | 1 | GASKET, ELECTRICAL PANEL |
| 22 | 260579 | 1 | CLIP-TOOL 1.5 INCH HOSE |
| 23 | 342440 | 1 | FTG-TEE 3/4 MPT X 1/2 HB NYLON |
| 24 | 710130 | 4 | SCR-THMS 8-32 X .62 SS |
| 25 | 710528 | 2 | SCR-FHMS 8-32 X .37 BRASS |
| 26 | 711163 | 2 | SCR-HI/LO PPH, 10 X .50 BLACK ZINC |
| 27 | 711246 | 4 | SCR-HH 3/8-16 X .87 ZP GR 5 |
| 28 | 711502 | 6 | WASHER-FLAT #8 ZP |
| 29 | 711515 | 4 | WASHER-FLAT 3/8 X .812 X .0625 ZP |
| 30 | 711546 | 4 | WASHER-LOCK 3/8 SPLIT ZP |
| 31 | 711962 | 2 | NUT, 1/4-20, HIGH TORQUE 12 POINT FLANGE |
| 32 | 712153 | 2 | SCR-FHSCS 1/4-20 X 1.00 SS |
| 33 | 712536 | 10 | SCR-THMS 10-24 X .62 SS |
| 34 | 712540 | 12 | SCR-THMS 10-24 X .37 SS |
| 35 | 712565 | 9 | SCR-THMS 1/4-20 X .62 SS |
| 36 | 712667 | 3 | NUT-NYLOC 1/4-20 SS |
| 37 | 712764 | 19 | WASHER-FLAT #10 SS |

| BILL OF MATERIAL - 246576 | | | |
|---------------------------|----------|------|--|
| ITEM | PART NO. | QTY | DESCRIPTION |
| 38 | 712770 | 6 | WASHER-INT TOOTH LOCK #10 SS |
| 39 | 713002 | 3 | SCR-HH 1/4-20 X .75 ZP 5 |
| 40 | 715535 | 1 | DECAL, VACUUM-DRIVE MOTOR-POWER |
| 41 | 715536 | 1 | DECAL, BRUSHES L-R |
| 42 | 715978 | 2 | DECAL, MAIN OVAL MAX-RIDE 26, ER V-26 |
| 43 | 740247 | 2 | CIRCUIT BREAKER-30AMP PUSH BUTTON |
| 44 | 740601 | 1 | SWITCH, SEAT, BOLT MOUNT |
| 45 | 742748 | 5 | CIRCUIT BREAKER-BOOT |
| 46 | 747349 | 1 | WIRE ASSY, SEAT SWITCH |
| 47 | 747350 | 1 | WIRE ASSY, TANK SWITCH -SEE NOTES |
| 48 | 747609 | 1 | CIRCUIT BREAKER-4.0AMP PUSH BUTTON |
| 49 | 747614 | 1 | INDICATOR, BATTERY CHARGE STATUS (E1720) |
| 50 | 747689 | 1 | STRAIN RELIEF CABLE DIA. .181-.312 #3210 |
| 51 | 827666 | 2 | RIVET-POP 1/8 DOME HD, BLK ALUM BODY |
| 52 | 3044112 | 1 | CLAMP - SCREW 1.5" to 2.5" DIA 201SS |
| 53 | 3303255 | 1 | CLAMP - SCREW 1" to 2" DIA 301SS |
| 54 | 3400089 | 3 | WASHER-FLAT 1/4 ZP |
| 55 | 3400383 | 3 | WASHER-CONICAL SPRING 1/4 |
| 56 | 3401449 | 11 | SCR-HI/LO 10 X .75 SS PAN HD |
| 57 | 25510512 | 8 FT | GASKET, RUBBER BLADE, PRESS IN |
| 58 | 97118731 | 1 | FILTER UNIT, SCREENED FLOAT |

| ADDITIONAL ECO MODEL PARTS | | | |
|----------------------------|----------|-----|--------------------------|
| ITEM | PART NO. | QTY | DESCRIPTION |
| A | 245911 | 1 | COVER, ELEC BOX, ECO 26" |
| F | 740221 | 2 | CIRCUIT BREAKER, 30 AMP |

| ADDITIONAL SPORT MODEL PARTS | | | |
|------------------------------|----------|-----|--|
| ITEM | PART NO. | QTY | DESCRIPTION |
| A | 245910 | 1 | COVER, ELEC BOX, SPORT 26" |
| B | 715533 | 1 | DECAL, 2 POSITION SWITCH, BRUSH MOTOR |
| D | 748904 | 2 | BREAKER CIRCUIT 40 AMP 10-32 SCREWS 90 D |
| E | 747327 | 1 | KEYSWITCH ASSEMBLY |

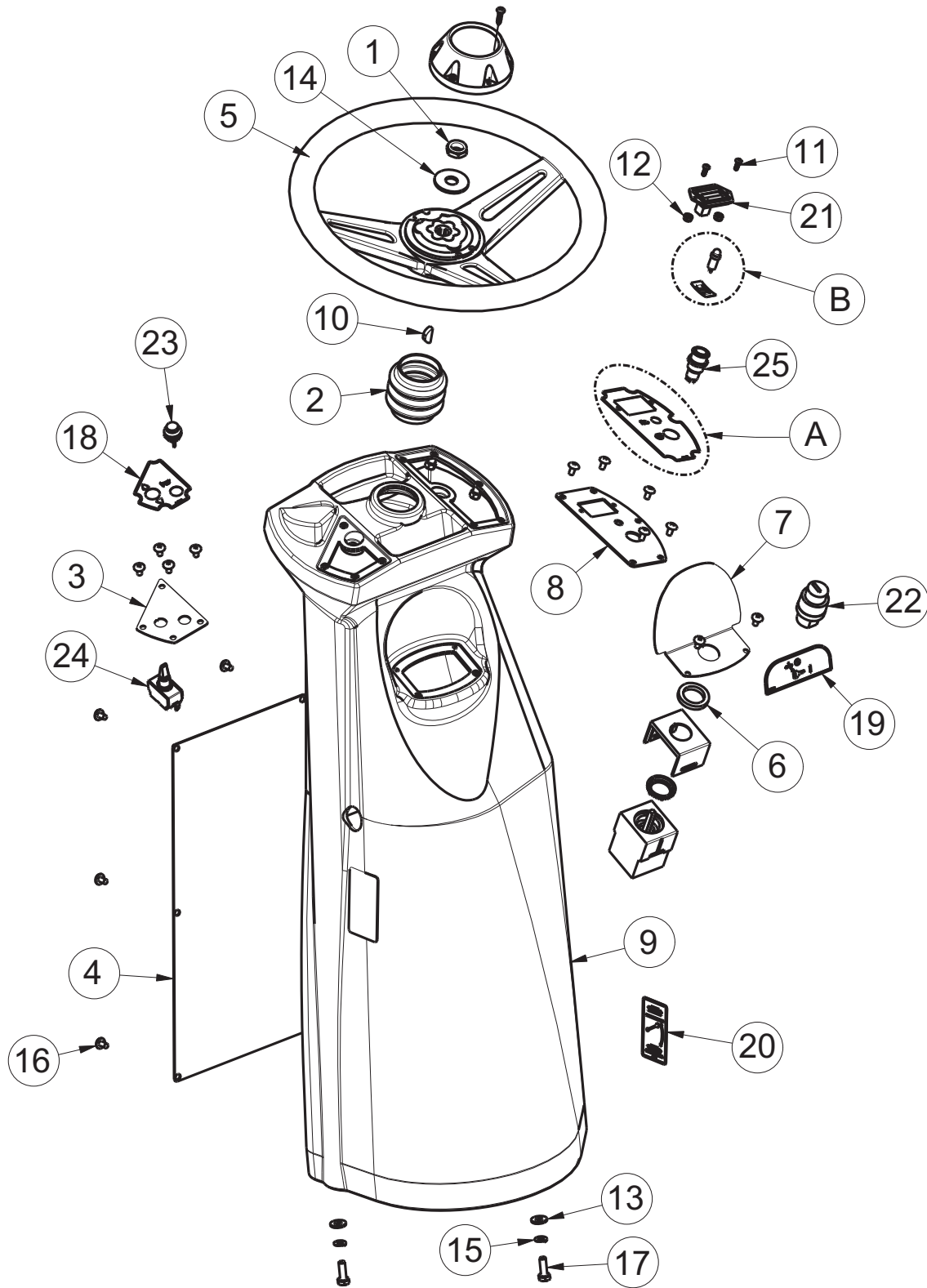
Electrical Panel Assembly



Electrical Panel Assembly BOM

| BILL OF MATERIAL - 246167 | | | |
|------------------------------|----------|-----|----------------------------------|
| ITEM | PART NO. | QTY | DESCRIPTION |
| 1 | 245851 | 1 | PANEL, ELEC CHASSIS, 20/26 |
| 2 | 710203 | 4 | SCR-MC 6-32 X .37 ST PL PAN HD |
| 3 | 710307 | 2 | SCR-MC 6-32 X 1.0 ST PL PAN HD |
| 4 | 711350 | 8 | NUT-NYLOC 10-32 |
| 5 | 711501 | 4 | WASHER-FLAT #6 X .375 ZP |
| 6 | 711503 | 2 | WASHER-FLAT #10 X .50 ZP |
| 7 | 711543 | 2 | WASHER-LOCK #10 SPLIT ZP |
| 8 | 711551 | 6 | WASHER-INT LOCK #6 |
| 9 | 711553 | 2 | WASHER-INT TOOTH LOCK #10 ZP |
| 10 | 712810 | 2 | SCR-MC 10-24 X .37 ST PL |
| 11 | 740482 | 2 | DIODE ASY, 1N4007 W/PIGGY |
| 12 | 740703 | 1 | CIRCUIT BREAKER, 1 AMP |
| 13 | 747389 | 1 | I-DRIVE,24V 70A PM MOTOR CONTROL |
| 14 | 747615 | 1 | RELAY, 24VDC 2 POLE NO/NC 80A |
| 15 | 747616 | 1 | RELAY, 24VDC 1 POLE NO 80A |
| 16 | 747619 | 2 | BRACKET, RELAY 747615 & 747616 |
| 17 | 748511 | 2 | RELAY, SPDT, MAX RIDE |
| 18 | 748524 | 2 | RELAY, DPDT, 40A |
| 19 | 90331026 | 1 | RELAY, 24VDC 2 POLE 100A (HAKO) |
| ADDITIONAL ECO MODEL PARTS | | | |
| ITEM | PART NO. | QTY | DESCRIPTION |
| C | 711350 | 3 | NUT-NYLOC 10-32 ZP |
| D | 747615 | 1 | RELAY, 24VDC 2 POLE NO/NC 80A |
| G | 747619 | 1 | BRACKET, RELAY 747615 & 747616 |
| H | 748511 | 1 | RELAY, SPDT, MAX RIDE |
| K | 957936 | 1 | LABEL, FOR CHARGERS 957764 |
| | 747252 | 1 | MR26 ECO ELECT GROUP GEN 2 |
| ADDITIONAL SPORT MODEL PARTS | | | |
| ITEM | PART NO. | QTY | DESCRIPTION |
| A | 245901 | 1 | BRACKET - MTG, I-DRIVE SPORT |
| B | 711026 | 2 | NUT-NYLOC 8-32 SS |
| C | 711350 | 6 | NUT-NYLOC 10-32 ZP |
| D | 747615 | 1 | RELAY, 24VDC 2 POLE NO/NC 80A |
| E | 747359 | 1 | I-DRIVE, 180 AMP |
| F | 747388 | 1 | POTENTIOMETER WIRE ASSY |
| G | 747619 | 1 | BRACKET, RELAY 747615 & 747616 |
| H | 748511 | 2 | RELAY, SPDT, MAX RIDE |
| K | 957936 | 1 | LABEL, FOR CHARGERS 957764 |
| | 747254 | 1 | MR26 SPORT ELECT GROUP GEN 2 |

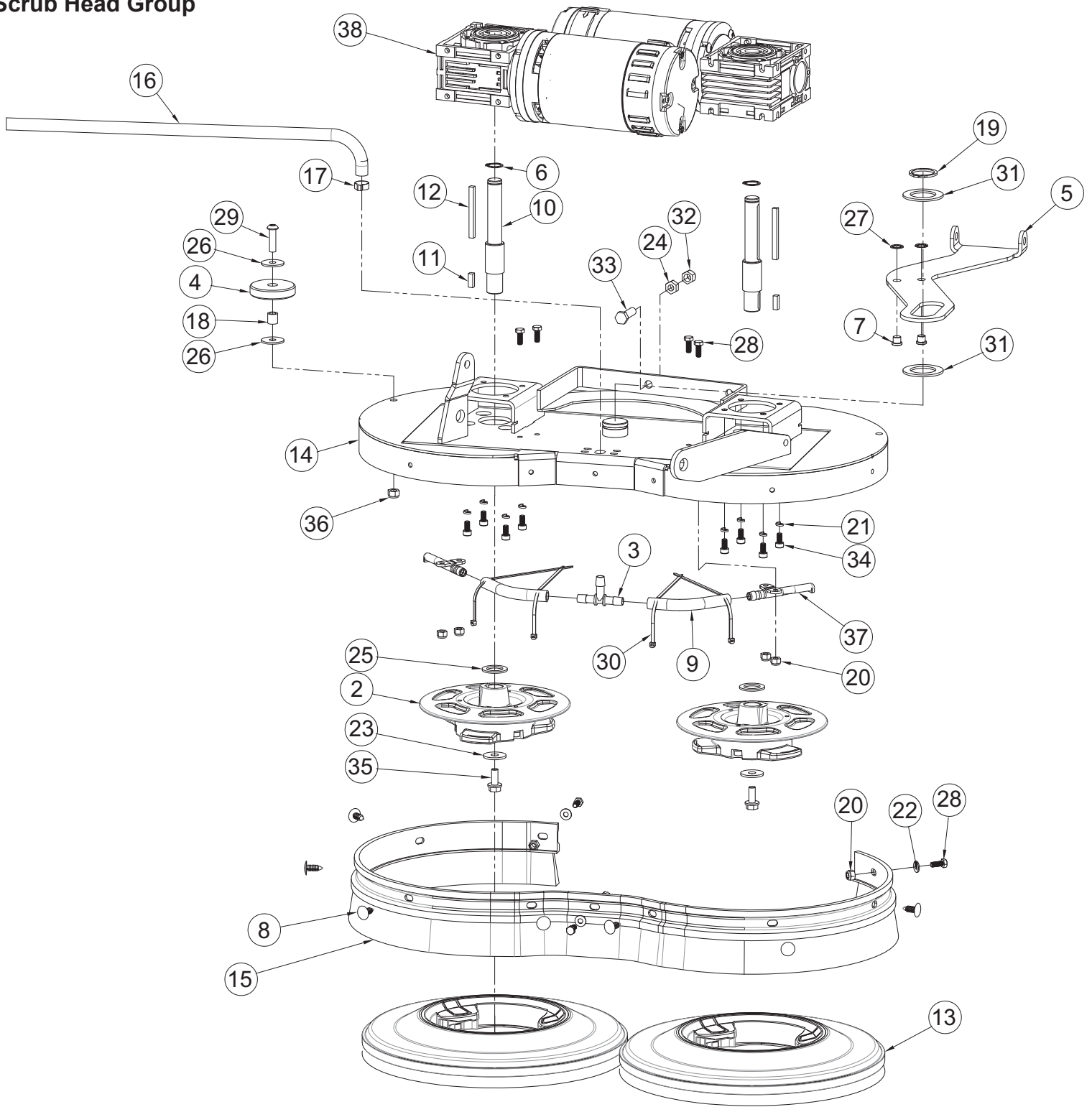
Steering Column Group



Steering Column Group BOM

| BILL OF MATERIAL - 246166 | | | |
|-------------------------------------|----------|-----|------------------------------------|
| ITEM | PART NO. | QTY | DESCRIPTION |
| 1 | 368-816 | 1 | HALF NUT NYLOC 1/2-20 |
| 2 | 241224 | 1 | BOOT - SHAFT, SCV 2426 |
| 3 | 245028 | 1 | PANEL-CONTROL, LH FWD-REV SELECTOR |
| 4 | 245156 | 1 | PANEL-FRONT STEERING CONSOLE |
| 5 | 245345 | 1 | STEERING WHEEL |
| 6 | 245802 | 1 | SPACER, PVC, KEY SWITCH |
| 7 | 245840 | 1 | PANEL, CENTER, KEY SWITCH |
| 8 | 245846 | 1 | PANEL-CONTROL RH, FUNCTION SELECT |
| 9 | 246090 | 1 | CONSOLE, STEERING, ER20/26 -V |
| 10 | 383277 | 1 | KEY WOODRUFF 3/16 X 3/4 |
| 11 | 710203 | 2 | SCR-MC 6-32 X .37 ST PL PAN HD |
| 12 | 711371 | 2 | NUT-NYLOC 6-32 ZP |
| 13 | 711505 | 2 | WASHER-FLAT 1/4 ZP |
| 14 | 711510 | 1 | WSR FLAT .5 X 1.37 X .100 |
| 15 | 711544 | 2 | WSR-HELICAL 1/4 |
| 16 | 712540 | 17 | SCR-MC TR HD 10-24 X .37 SS |
| 17 | 713002 | 2 | SCR-HH 1/4-20 X .75 ZP 5 |
| 18 | 715762 | 1 | DECAL-FWD-REV SELECTOR |
| 19 | 715778 | 1 | DECAL, CENTER PANEL, KEY SWITCH |
| 20 | 715781 | 1 | DECAL, BRUSH LIFT, 20/26 |
| 21 | 747011 | 1 | BATTERY GAUGE, TRUCHARGE |
| 22 | 747387 | 1 | KEYSWITCH ASSY |
| 23 | 748047 | 1 | SWITCH, PUSH BUTTON (HORN SCV 36V) |
| 24 | 748800 | 1 | SWITCH-TOGGLE G SERIES |
| 25 | 748804 | 1 | SWITCH, PUSH BUTTON, ORANGE LED |
| ADDITIONAL ECO MODEL PARTS | | | |
| A | 715779 | 1 | DECAL, FUNCTION SELECTOR, ECO |
| ADDITIONAL SPORT MODEL PARTS | | | |
| A | 715780 | 1 | DECAL, FUNCTION SELECTOR, SPORT |
| B | 747718 | 1 | LAMP ASSY, LED AMBER, 24V |
| | 747718-2 | | CLIP, TINNERMAN |

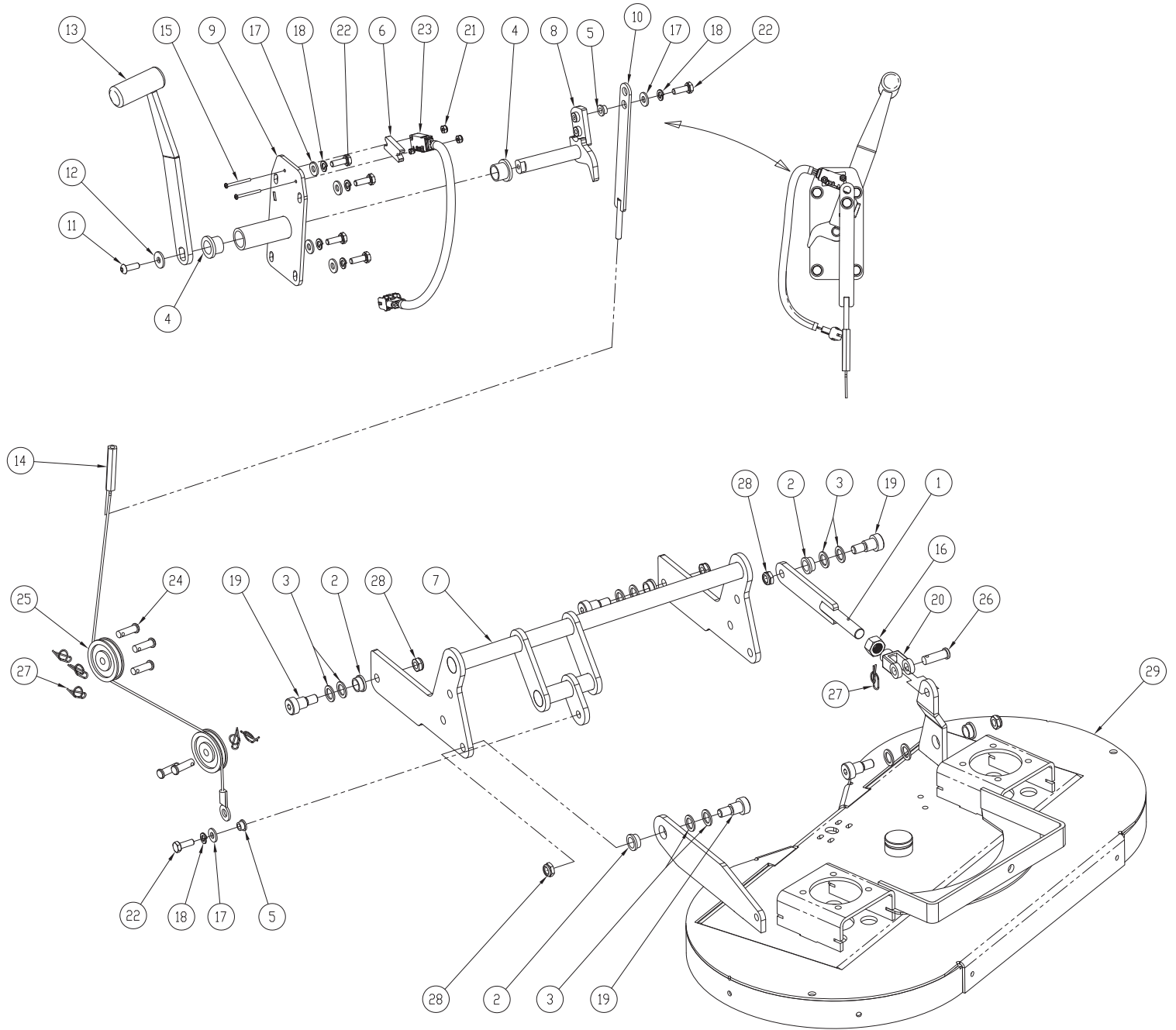
Scrub Head Group



Scrub Head Group BOM

| BILL OF MATERIAL - 246573 | | | |
|---------------------------|----------|-----|---|
| ITEM | PART NO. | QTY | DESCRIPTION |
| 1 | 712 | 1 | PERMABOND-MM115 50ML BLUE |
| 2 | 172512 | 2 | HUB ASSEMBLY, DISC DECK |
| 3 | 241726 | 1 | FTG-TEE 3/8 HB X 3/8 HB X 3/8 HB NYLON |
| 4 | 245339 | 1 | ROLLER- SQUEEGEE |
| 5 | 245412 | 1 | BAR, SQUEEGEE PIVOT |
| 6 | 245468 | 2 | RET RING-EXT .687 BLK OXIDE |
| 7 | 245516 | 2 | SLIDE |
| 8 | 245518 | 7 | FASTENER, PLASTIC TREE |
| 9 | 245519 | 2 | HOSE-NYL REINFORCED 3/8 ID, 4" |
| 10 | 245591 | 2 | SHAFT, BRUSH DRIVE |
| 11 | 245811 | 2 | KEY-6MM X 6MM X .700 ZINC |
| 12 | 245812 | 2 | KEY-6mm X 6mm X 2.625 |
| 13 | 246858-2 | 2 | PAD DRIVER, LOW PROFILE, 13" |
| 14 | 246542 | 1 | WELDMENT, SCRUB HEAD, 26 |
| 15 | 246646 | 1 | SKIRT, SCRUB HEAD, 26 |
| 16 | 246652 | 1 | TUBING, .38 ID X .11 WAL BRA VIN 29.5 IN |
| 17 | 452037 | 1 | CLAMP-CRIMP 170R SS |
| 18 | 600114 | 1 | SPACER, .328 B .498 OD .500 ,SS |
| 19 | 600576 | 1 | RET RING-EXT 1.25 HD |
| 20 | 600933 | 7 | NUT-NYLOC M6-1.00 SS |
| 21 | 711421 | 8 | WASHER-LOCK 1/4 SPLIT, HIGH-COLLAR, SS |
| 22 | 711504 | 3 | WASHER-FLAT 1/4 SS |
| 23 | 711855 | 2 | WASHER-FENDER 3/8 X 1.12 X .10 ZP HARD |
| 24 | 712695 | 1 | NUT-HEX 3/8-16 SS |
| 25 | 717025 | 2 | WASHER-FLAT 13/16 X 1.25 X .08 ZP |
| 26 | 730526 | 2 | WASHER-FENDER M8 X 24 SS |
| 27 | 730844 | 2 | RET RING-EXT .375 SS SELF LOCKING |
| 28 | 730934 | 7 | SCR-HH M6-1.00 X 16 SS FULL THREAD |
| 29 | 770536 | 1 | SCR-BHSCS M8-1.25 X 30 SS |
| 30 | 828062 | 4 | CABLE TIE LARGE |
| 31 | 3337628 | 2 | WASHER FLAT 1.28 ID x 2.00 OD ZP |
| 32 | 3400340 | 1 | NUT-NYLOC 3/8-16 SS |
| 33 | 3402010 | 1 | SCR-HEX 3/8-16 X 1.25 SS |
| 34 | 3402054 | 8 | SCR-SHCS M6-1.0 X 12 ZP |
| 35 | 11717203 | 2 | BLT-HH FLG M8X1.25X20 PRECOTE, ZD 10.9 |
| 36 | 12040259 | 1 | NUT-NYLOC M8 X 1.25 SS |
| 37 | 90311663 | 2 | FITTING, WATER NOZZLE W/ MOUNT HOLES |
| 38 | 245808 | 1 | GEAR - MOTOR, BRUSH, 24VDC 400W, AMER (ECO MODELS) |
| | 245231 | | GEAR-MOTOR, BRUSH, 24VDC 600W, AMER (SPORT MODELS) |

Scrub Head Lift Group

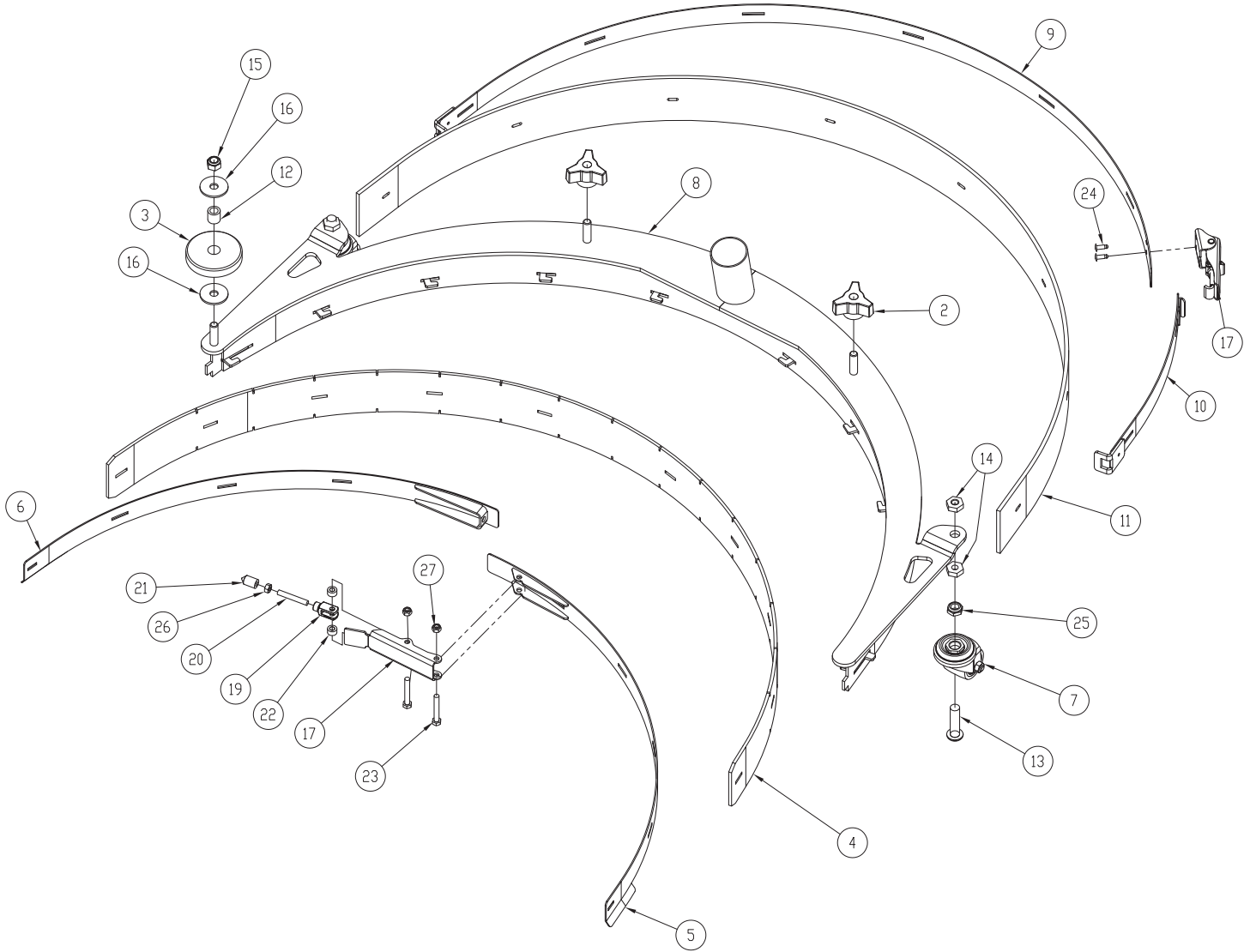


Scrub Head Lift Group BOM

Scrub Head Lift Group BOM

| BILL OF MATERIAL - 246574 | | | |
|----------------------------------|-----------------|------------|---|
| ITEM | PART NO. | QTY | DESCRIPTION |
| 1 | 245575 | 1 | WELDMENT, DECK ADJ LINK 26 |
| 2 | 245806 | 5 | BUSHING-FLG, .50 X .62 X .31 LG OILITE |
| 3 | 246064 | 10 | WASHER-FLAT 1/2 X .75 X .062 NYLON |
| 4 | 246078 | 2 | BUSHING, FLANGED 5/8" SHAFT DIA. |
| 5 | 246079 | 2 | BUSHING, FLANGED 1/4" SHAFT DIA. |
| 6 | 246089 | 1 | BRACKET, SWITCH |
| 7 | 246541 | 1 | WELDMENT, TRAILING ARM, 26 |
| 8 | 246631 | 1 | WELDMENT, HEAD LIFT SHAFT |
| 9 | 246647 | 1 | WELDMENT, HEAD LIFT |
| 10 | 246649 | 1 | WELDMENT, DECK LIFT END |
| 11 | 246730 | 1 | SCR-BHSCS 1/4-20 X .75 BLK OX NYL PATCH |
| 12 | 246731 | 1 | WASHER-FLAT, .25 X .75 X .08, HARDEND |
| 13 | 246736 | 1 | WELDMENT, HEAD LIFT, HANDLE |
| 14 | 246755 | 1 | CABLE, DECK LIFT |
| 15 | 710495 | 2 | SCR-PHMS 4-40 X 1.25 ZP |
| 16 | 711337 | 1 | NUT-HEX 1/2-20 ZP |
| 17 | 711505 | 6 | WASHER-FLAT 1/4 ZP |
| 18 | 711544 | 6 | WASHER-LOCK 1/4 SPLIT ZP |
| 19 | 712099PLT | 5 | BLT-SHOULDER 1/2 X 1/2 LG X 3/8-16 |
| 20 | 712265 | 1 | CLEVIS-YOKE, 1/2-20 WITH .375 PIN |
| 21 | 712348 | 2 | NUT-NYLOC 4-40 SS |
| 22 | 713002 | 6 | SCR-HH 1/4-20 X .75 ZP 5 |
| 23 | 747603-2 | 1 | SWITCH ASY, MICRO ROLLER W/PACK/CONDUIT |
| 24 | 881002 | 5 | PIN-CLEVIS 5/16 X 1.00 ZINC |
| 25 | 3300368 | 2 | PULLEY-PLASTIC 2" x .25" GROOVE |
| 26 | 3400117 | 1 | PIN-CLEVIS 3/8 x 1.125 ZP |
| 27 | 3400125 | 6 | RING-RUE 3/8 |
| 28 | 3401028 | 5 | NUT-JAM 3/8-16 ZP NYLOC |
| 29 | 246542 | 1 | WELDMENT, SCRUB HEAD, 26 |

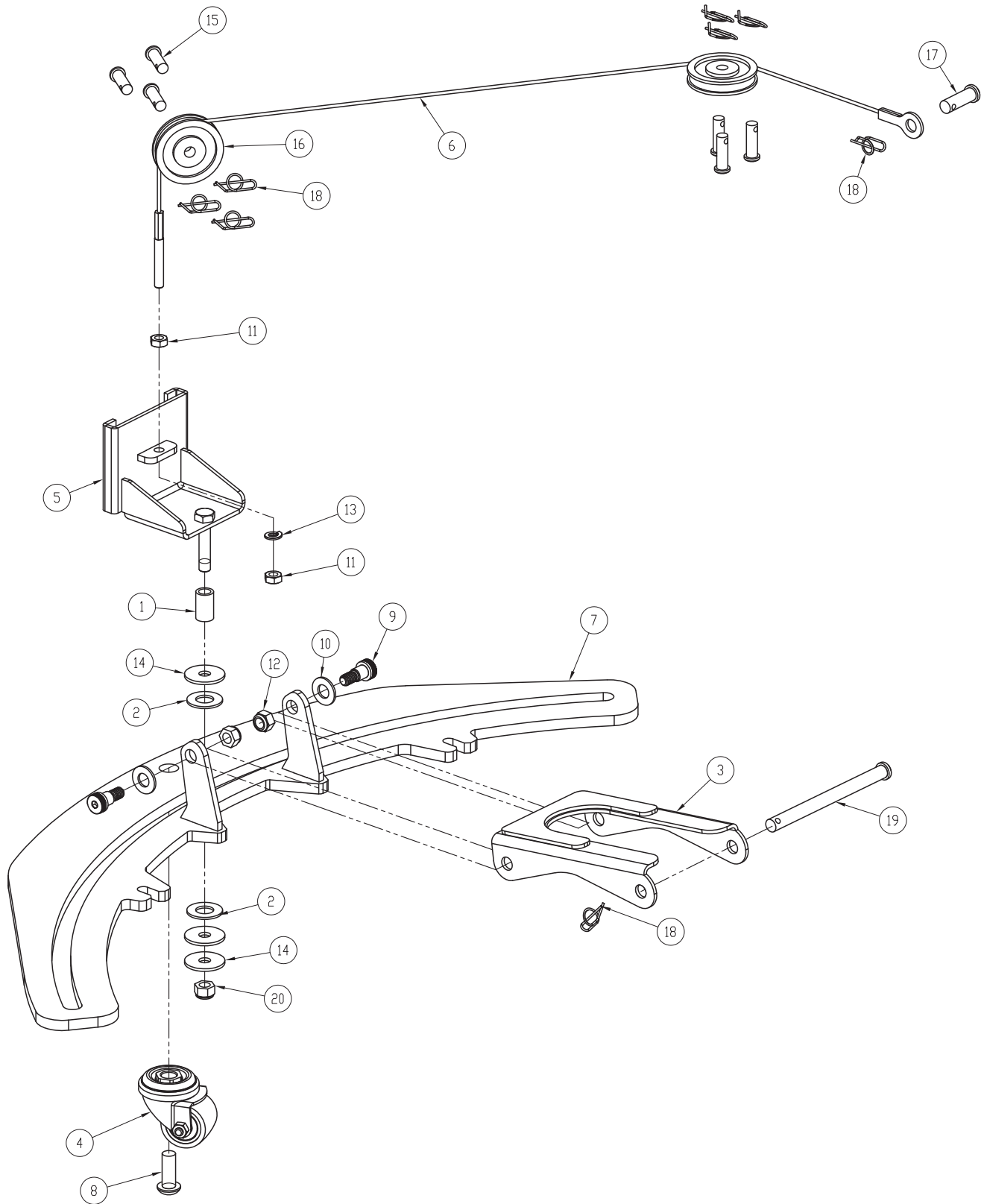
Squeegee Group



Squeegee Group BOM

| BILL OF MATERIAL - 246572 | | | |
|---------------------------|----------|-----|--------------------------------------|
| ITEM | PART NO. | QTY | DESCRIPTION |
| 1 | 000712 | 1 | PERMABOND-MM115 50ML BLUE |
| 2 | 210118 | 2 | KNOB-3 SIDED 5/16 NYLOC |
| 3 | 245339 | 1 | ROLLER- SQUEEGEE |
| 4 | 245392-1 | 1 | SQUEEGEE BLADE, 26 INNER, PRIMOTHANE |
| 5 | 245399 | 1 | WELDMENT, INNER BAND A 26 |
| 6 | 245402 | 1 | WELDMENT, INNER BAND B 26 |
| 7 | 245563 | 2 | CASTER |
| 8 | 246544 | 1 | WELDMENT, SQUEEGEE, 26 |
| 9 | 246546 | 1 | WELDMENT, OUTER BAND LONG |
| 10 | 246547 | 1 | WELDMENT, OUTER BAND SHORT |
| 11 | 246632-1 | 1 | SQUEEGEE BLADE, 26 OUTER, PRIMOTHANE |
| 12 | 600114 | 1 | SPACER, .328 B .498 OD .500 ,SS |
| 13 | 710987 | 2 | SCR-BHSCS 3/8-16 X 1.50 ZP |
| 14 | 711391 | 4 | NUT-JAM 3/8-16 ZP |
| 15 | 712683 | 1 | NUT-NYLOC 5/16-18 SS |
| 16 | 730526 | 2 | WASHER-FENDER M8 X 24 SS |
| 17 | 730652 | 1 | LATCH, UNDER CENTER |
| 18 | 730780 | 1 | LATCH, BODY SS |
| 19 | 730781 | 1 | CLEVIS, M5 - 0.8 |
| 20 | 730782 | 1 | ROD, M5 - 0.8 |
| 21 | 730783 | 1 | ROD, NOSE |
| 22 | 730784 | 2 | SPACER, .203 B .375 OD .210 T |
| 23 | 730802 | 2 | SCR-HH M5-0.8 X 35 SS FULL THREAD |
| 24 | 731293 | 2 | RIVET-BLIND 5/32 .187 GRIP SS |
| 25 | 3401028 | 2 | NUT-JAM 3/8-16 ZP NYLOC |
| 26 | 12022430 | 1 | NUT-HEX M5 X 0.8 316SS DIN 934 |
| 27 | 12040283 | 2 | NUT-NYLOC M5 X 0.8 304SS DIN985 |

Squeegee Lift Group



Rev D

Squeegee Lift Group BOM

| BILL OF MATERIAL - 246571 | | | |
|---------------------------|----------|-----|--------------------------------------|
| ITEM | PART NO. | QTY | DESCRIPTION |
| 1 | 245309 | 1 | SPACER, NYLON, .344 B .500 OD .813 T |
| 2 | 245310 | 2 | WASHER, NYLON, .510 B 1.00 OD .062 T |
| 3 | 245377 | 1 | LINK, SQUEEGEE PIVOT 26" |
| 4 | 245563 | 1 | CASTER |
| 5 | 246545 | 1 | WELDMENT, SLIDER |
| 6 | 246630 | 1 | CABLE, 27.25 |
| 7 | 246633 | 1 | WELDMENT, SQU MNT, 26 |
| 8 | 710986 | 1 | SCR-BHSCS 3/8-16 X 1.00 ZP |
| 9 | 711490 | 2 | BLT-SHLDR 3/8 X .375 LG 5/16 -18 SS |
| 10 | 711515 | 2 | WASHER-FLAT 3/8 X .812 X .0625 ZP |
| 11 | 712665 | 2 | NUT-HEX 1/4-20 SS |
| 12 | 712683 | 2 | NUT-NYLOC 5/16-18 SS |
| 13 | 712758 | 1 | WASHER-LOCK 1/4 SPLIT SS |
| 14 | 730526 | 3 | WASHER-FENDER M8 X 24 SS |
| 15 | 881002 | 6 | PIN-CLEVIS 5/16 X 1.00 ZINC |
| 16 | 3300368 | 2 | PULLEY-PLASTIC 2" x .25" GROOVE |
| 17 | 3400117 | 1 | PIN-CLEVIS 3/8 x 1.125 ZP |
| 18 | 3400125 | 8 | RING-RUE 3/8 |
| 19 | 3400762 | 1 | PIN-CLEVIS 3/8 X 4.75 ZP |
| 20 | 12040259 | 1 | NUT-NYLOC M8 X 1.25 SS |

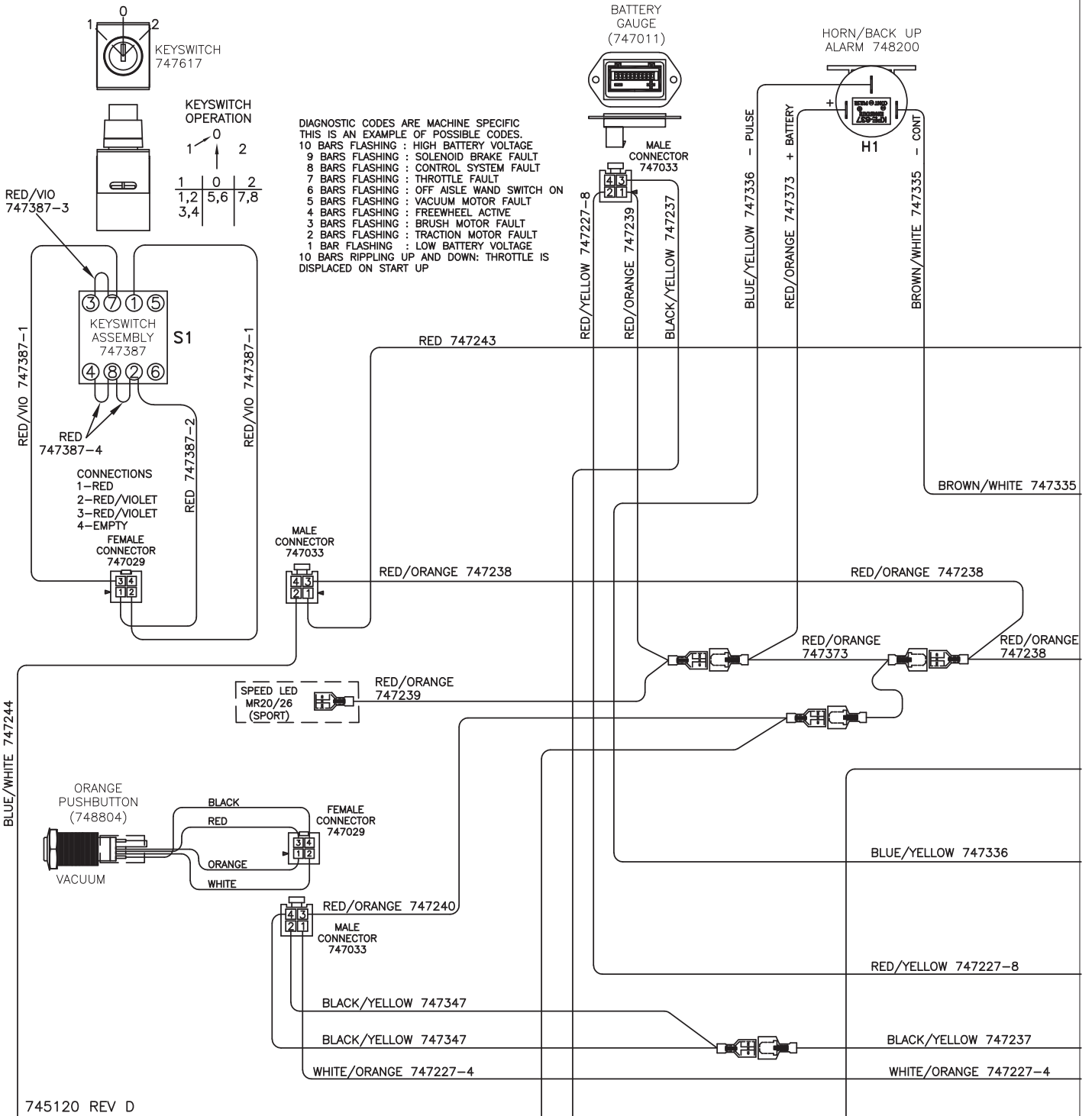
Wiring Diagrams - ECO Models

1

PAGE LAYOUT

| | | | |
|---|---|---|---|
| 1 | 2 | 3 | 4 |
| 5 | 6 | 7 | 8 |

PAGES GO TOGETHER AS SHOWN TO SEE THE ENTIRE SCHEMATIC AS ONE.

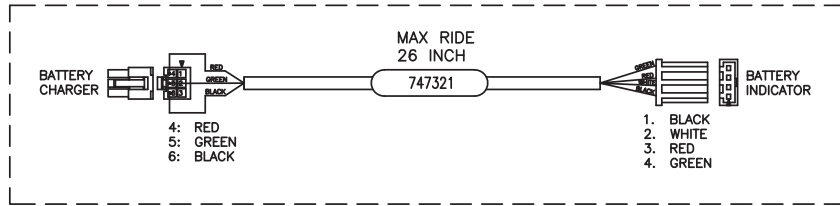


745120 REV D

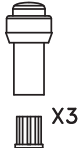


RELAY NUT COVER
 MAIN RELAY M8 15592033 (4)
 VACUUM RELY M6 15592025 (2)
 BRUSH MOTOR RELAY M6 15592025 (4)

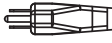
*RELAY TERMINALS ARE METRIC
 MAIN RELAY: M8 TORQUE TO 8-9.5Nm
 VACUUM & BRUSH RELAY:M6 TORQUE TO 3.6-3.9Nm



CHARGER STATUS INDICATOR 747614
 CSI



120VAC 60Hz
 or
 230VAC 50Hz
 (different plug)
 CORD
 748680CE
 748680 (UK)



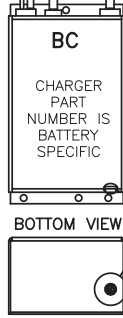
CHARGER 957760 IEC60320 C14

BATTERY CHARGER 100-240V~ 50/60Hz 957761 (115VAC) NEMA 5/15P 957760 (230VAC) IEC 60320 C14

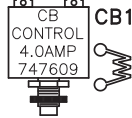
MAX RIDE 26 BATTERY CHARGER 100-240V~ 50/60Hz 957764 (115VAC) NEMA 5/15P 957760 (230VAC) IEC 60320 C14

ROTARY SWITCH

- CHARGING PROFILES
1. 956712 12V 105Ah-FLOODED(-1)
 2. 956140 12V 140Ah-FLOODED(-2)
 3. 956135 12V 135Ah-GEL(G-3)
 4. 956100 12V 100Ah-GEL(G-4)



RED 747243



MR20 (WHT) MR26 (RED)
 MR20 (BLK) MR26 (WHT)

1:RED
 2:BLACK

BLACK 747313

BLACK 747313
 BLACK 747637-2
 RED 747637-1

RED 747330

RED 747328

RED 747305

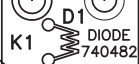
GREY/BLACK 747356

BLACK 747234

BROWN/WHITE 747335

RED/ORANGE 747238

MAIN RELAY 90331026



BLACK 747235

BLACK 747315-2

BLACK 747322

P/O BLACK 747234

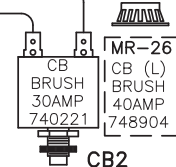
RED 747305

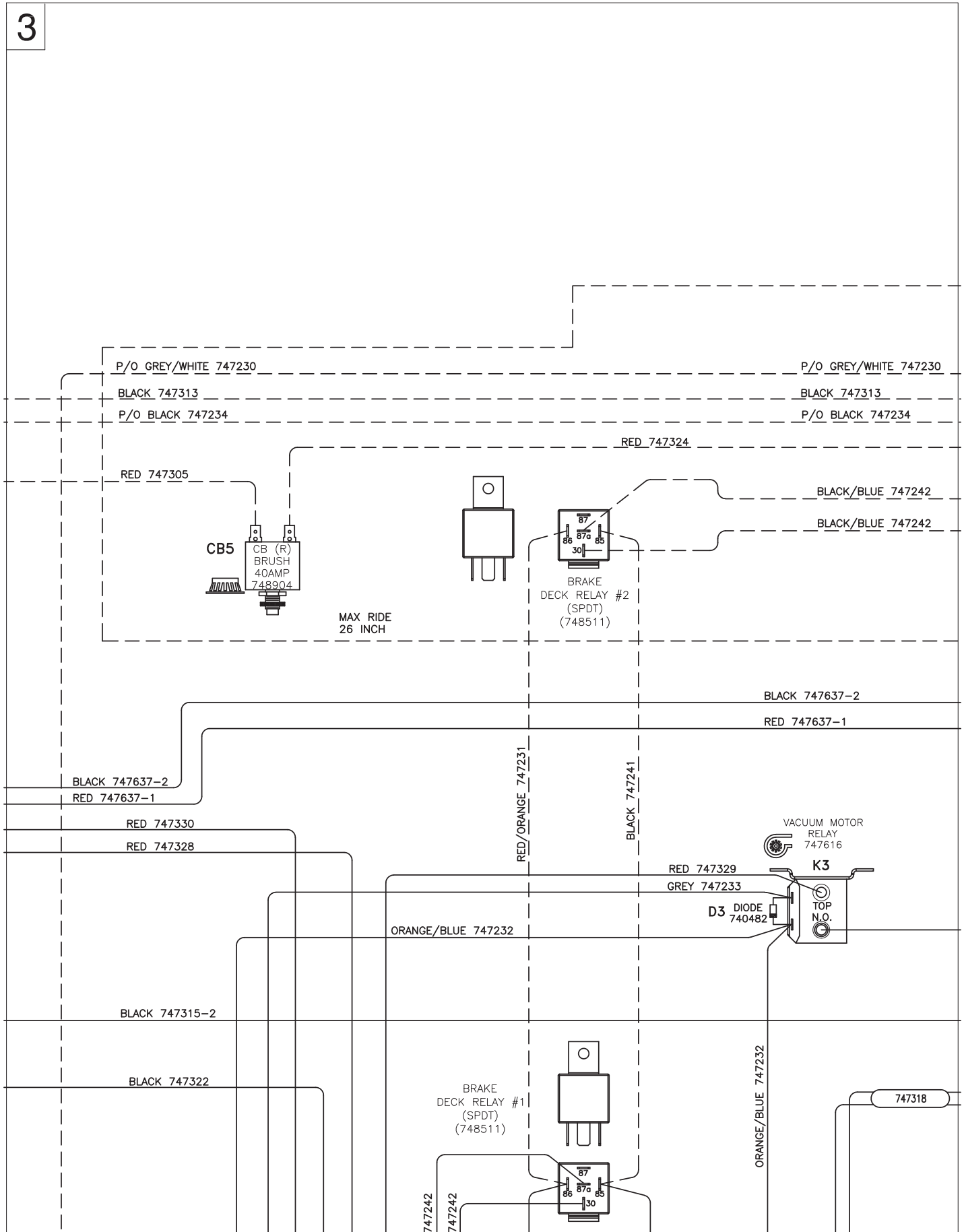
BLACK 747241

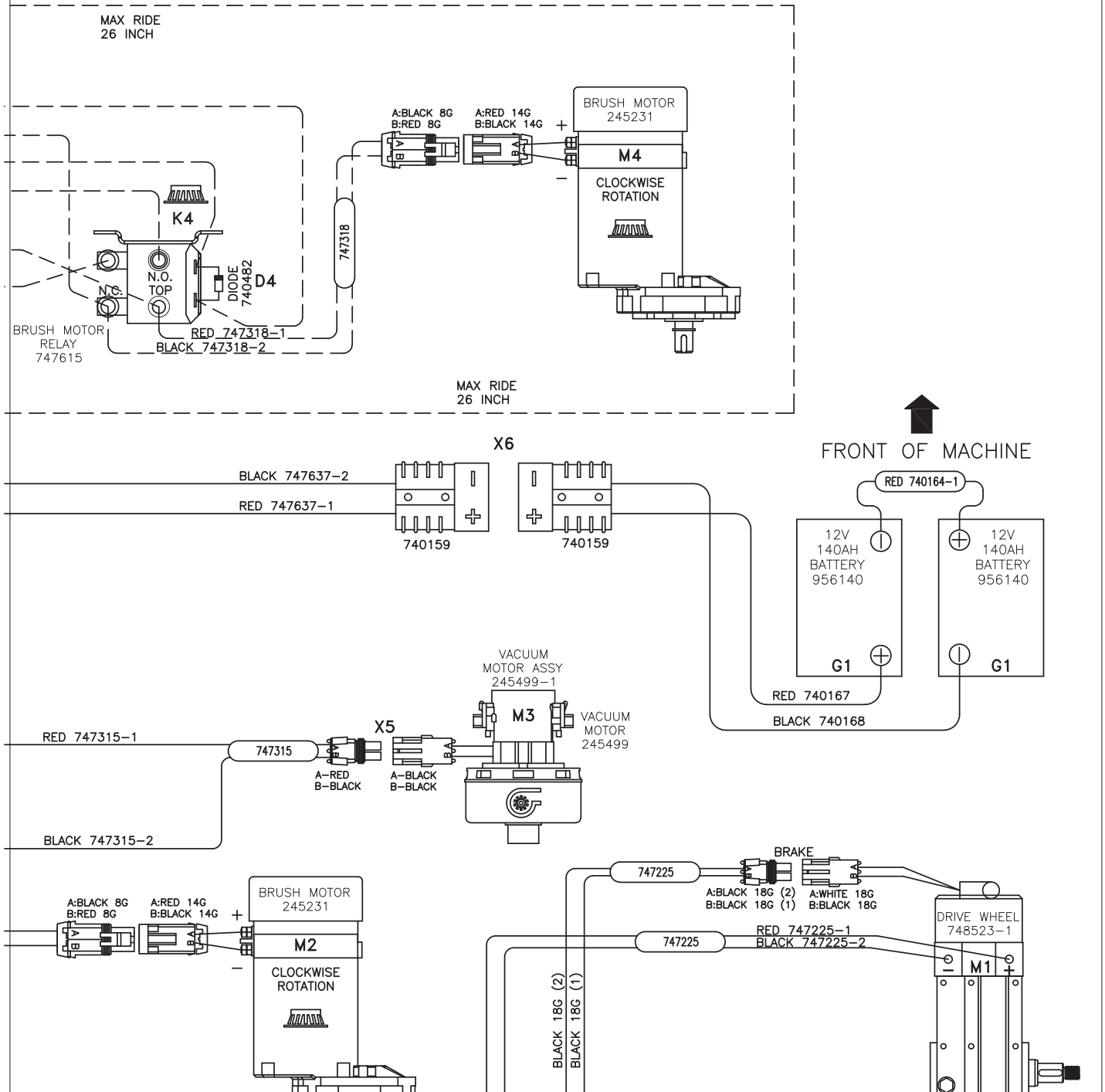
RED/ORANGE 747238

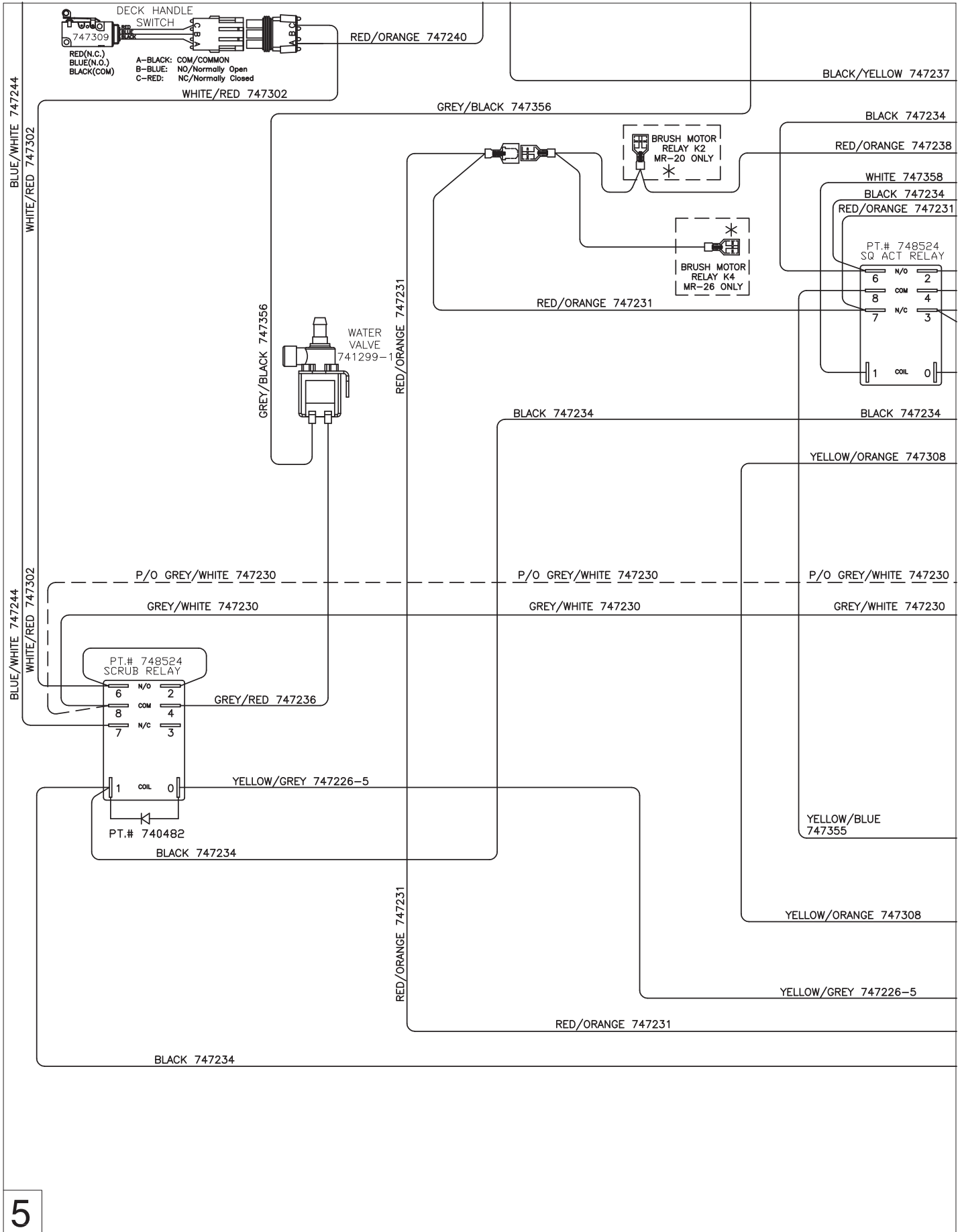


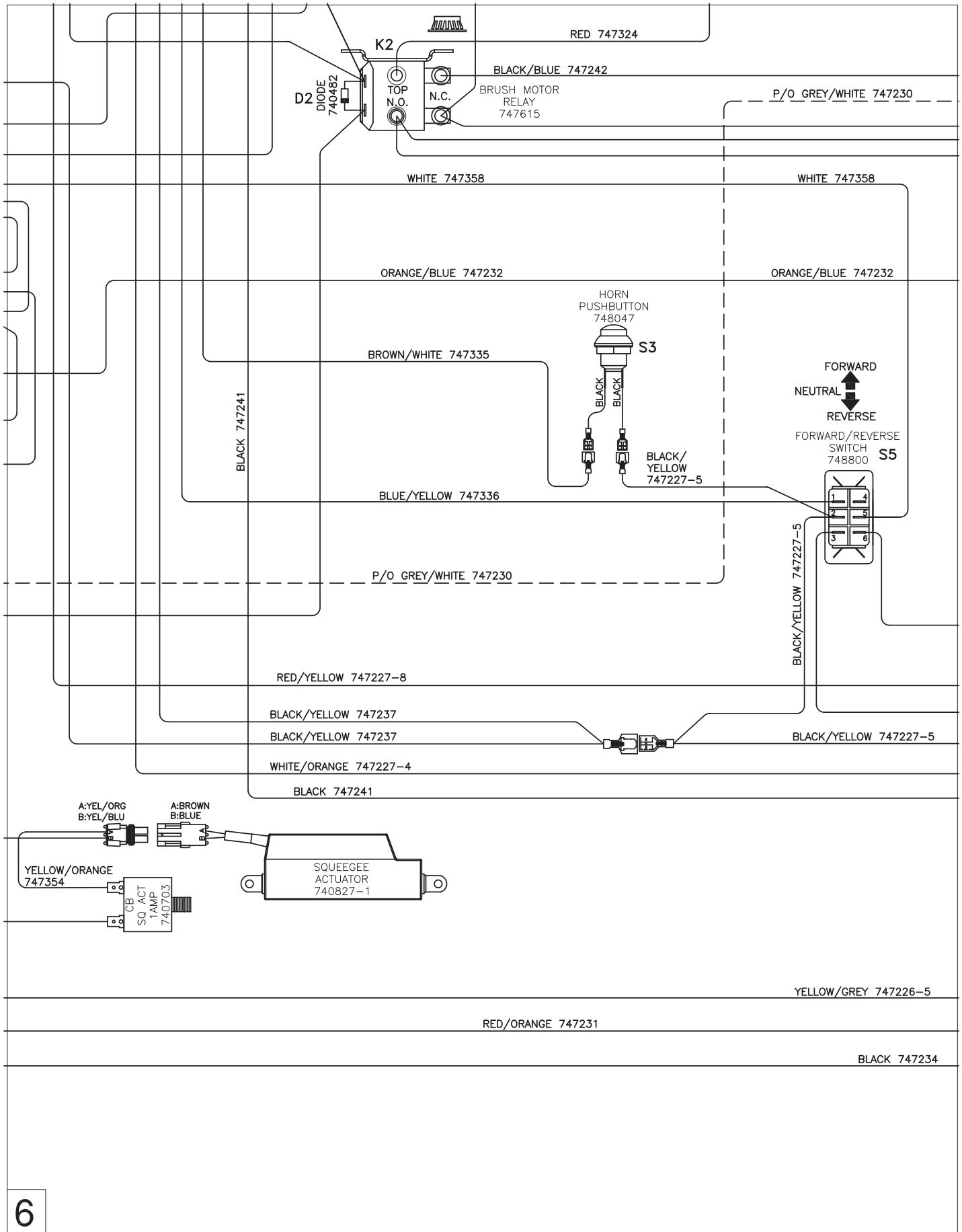
BLACK 747313

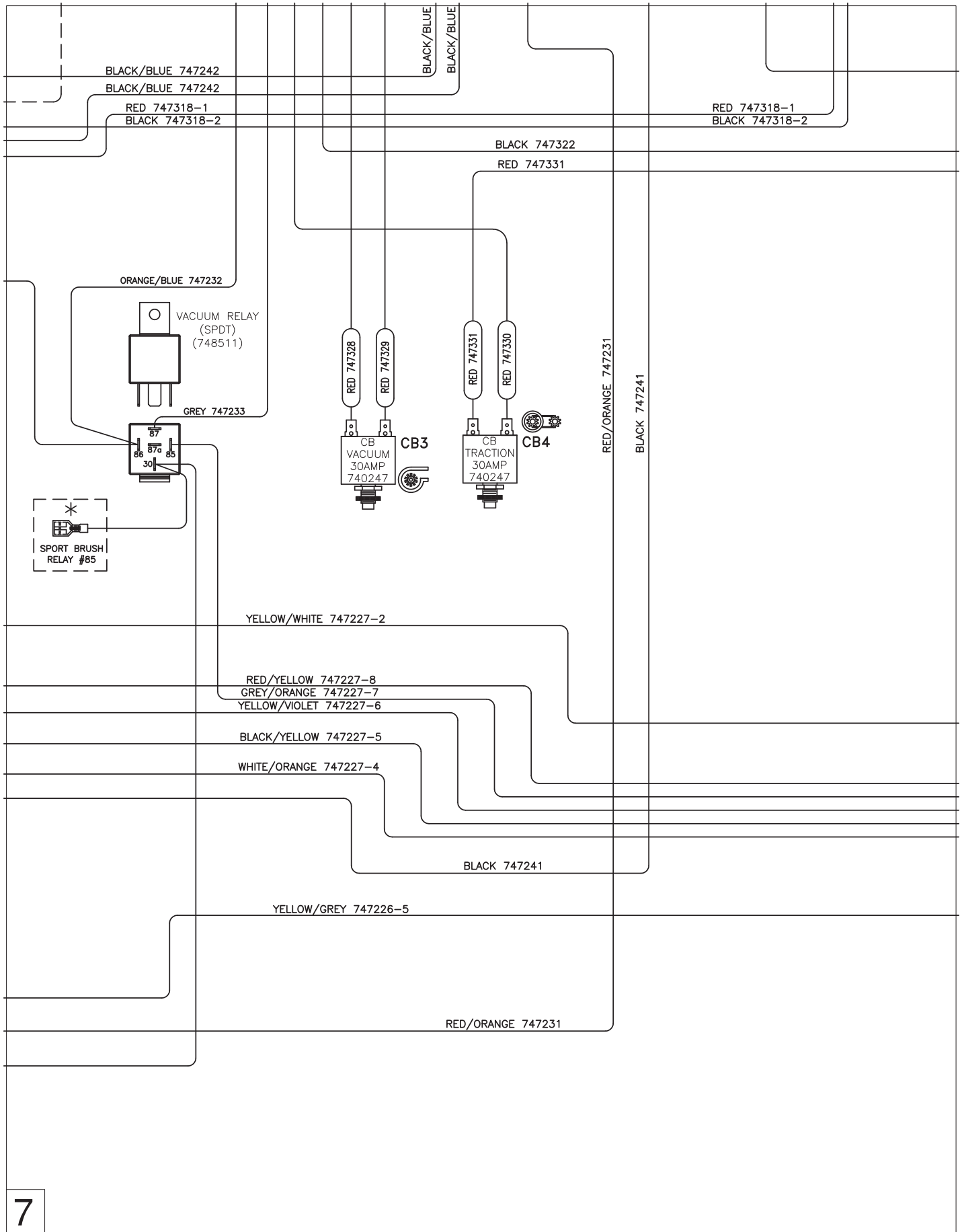


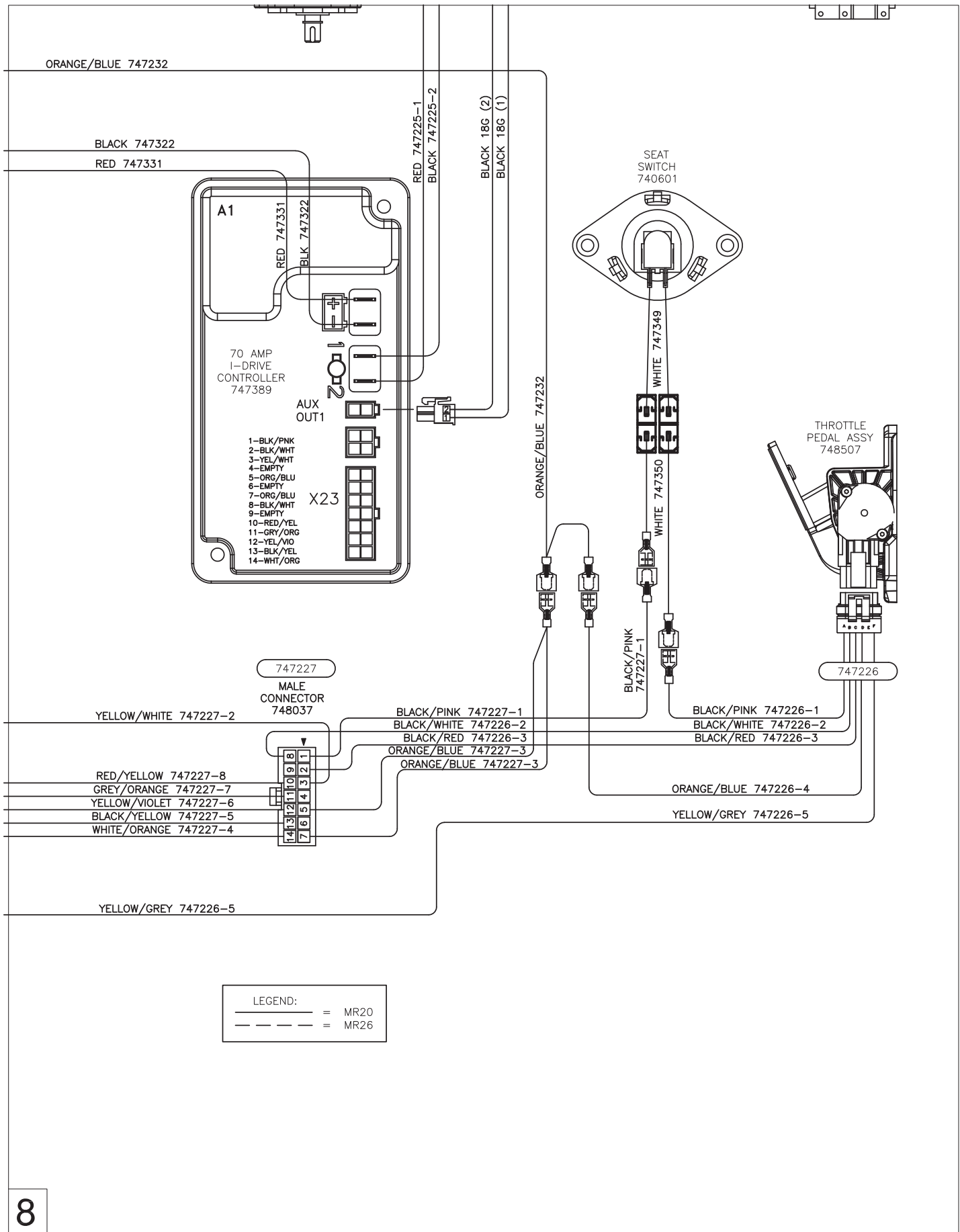






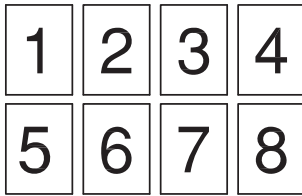




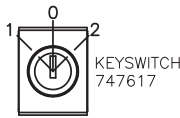


1

PAGE LAYOUT

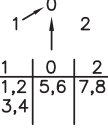


PAGES GO TOGETHER AS SHOWN TO SEE THE ENTIRE SCHEMATIC AS ONE.

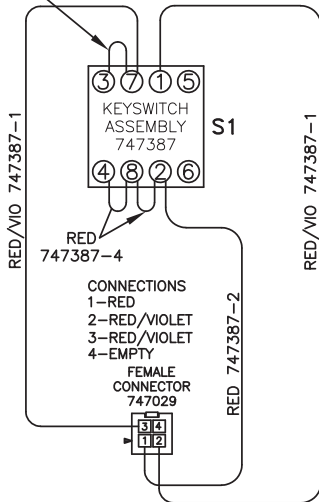


KEYSWITCH 747617

KEYSWITCH OPERATION



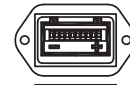
RED/VIO 747387-3



DIAGNOSTIC CODES ARE MACHINE SPECIFIC THIS IS AN EXAMPLE OF POSSIBLE CODES.

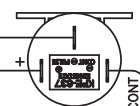
- 10 BARS FLASHING : HIGH BATTERY VOLTAGE
- 9 BARS FLASHING : SOLENOID BRAKE FAULT
- 8 BARS FLASHING : CONTROL SYSTEM FAULT
- 7 BARS FLASHING : THROTTLE FAULT
- 5 BARS FLASHING : OFF AISLE WAND SWITCH ON
- 5 BARS FLASHING : VACUUM MOTOR FAULT
- 4 BARS FLASHING : FREEWHEEL ACTIVE
- 3 BARS FLASHING : BRUSH MOTOR FAULT
- 2 BARS FLASHING : TRACTION MOTOR FAULT
- 1 BAR FLASHING : LOW BATTERY VOLTAGE
- 10 BARS RIPPLING UP AND DOWN: THROTTLE IS DISPLACED ON START UP

BATTERY GAUGE (747011)

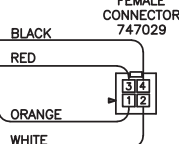
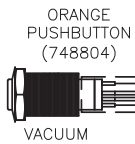


MALE CONNECTOR 747033

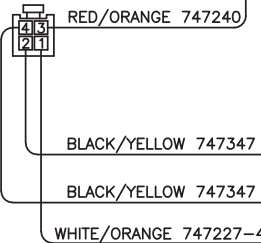
HORN/BACK UP ALARM 748200



BLUE/WHITE 747244



MALE CONNECTOR 747033



RED 747243

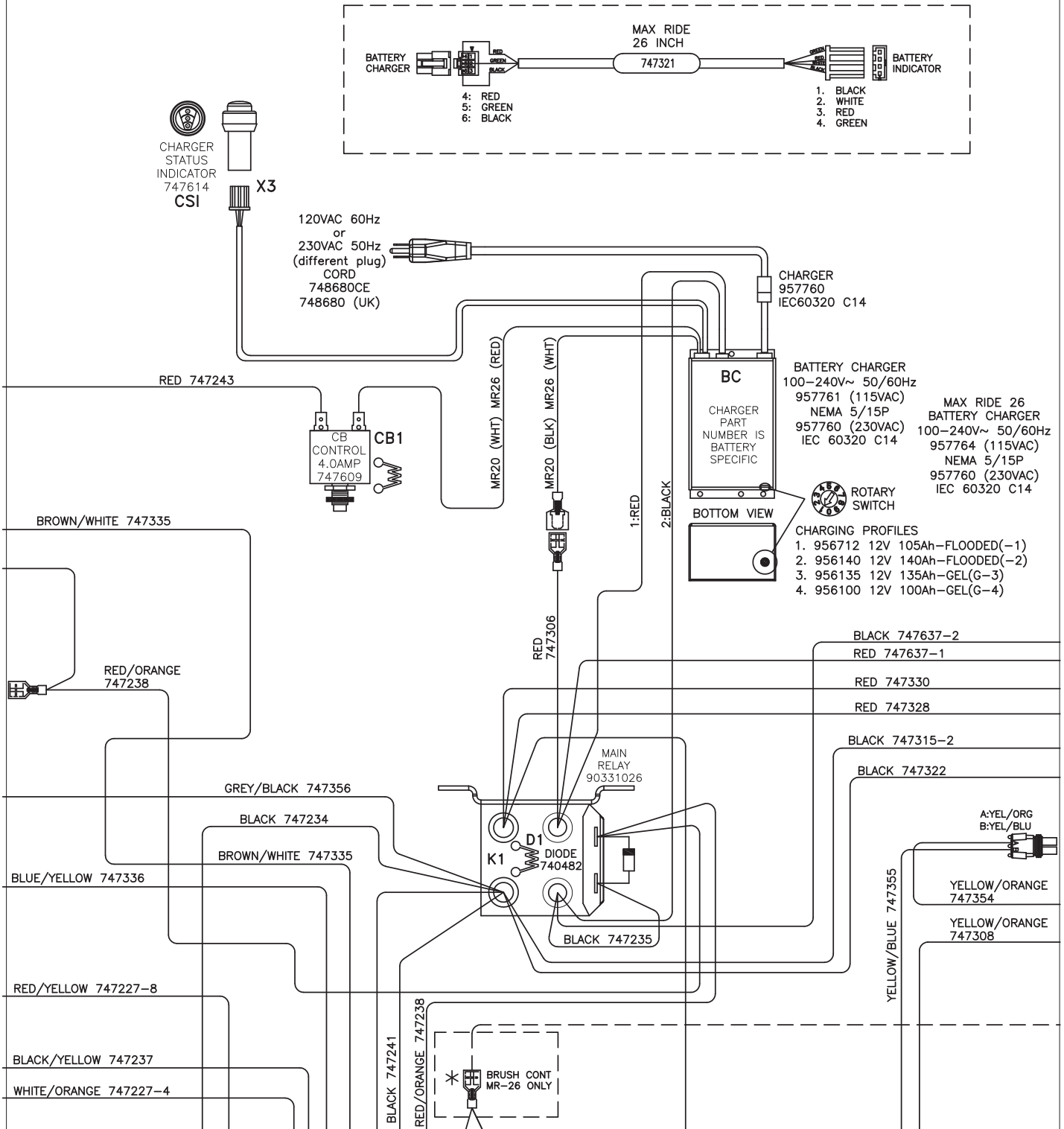
RED/ORANGE 747238

RED/ORANGE 747373

BLUE/YELLOW 747336 - PULSE

RED/ORANGE 747373 + BATTERY

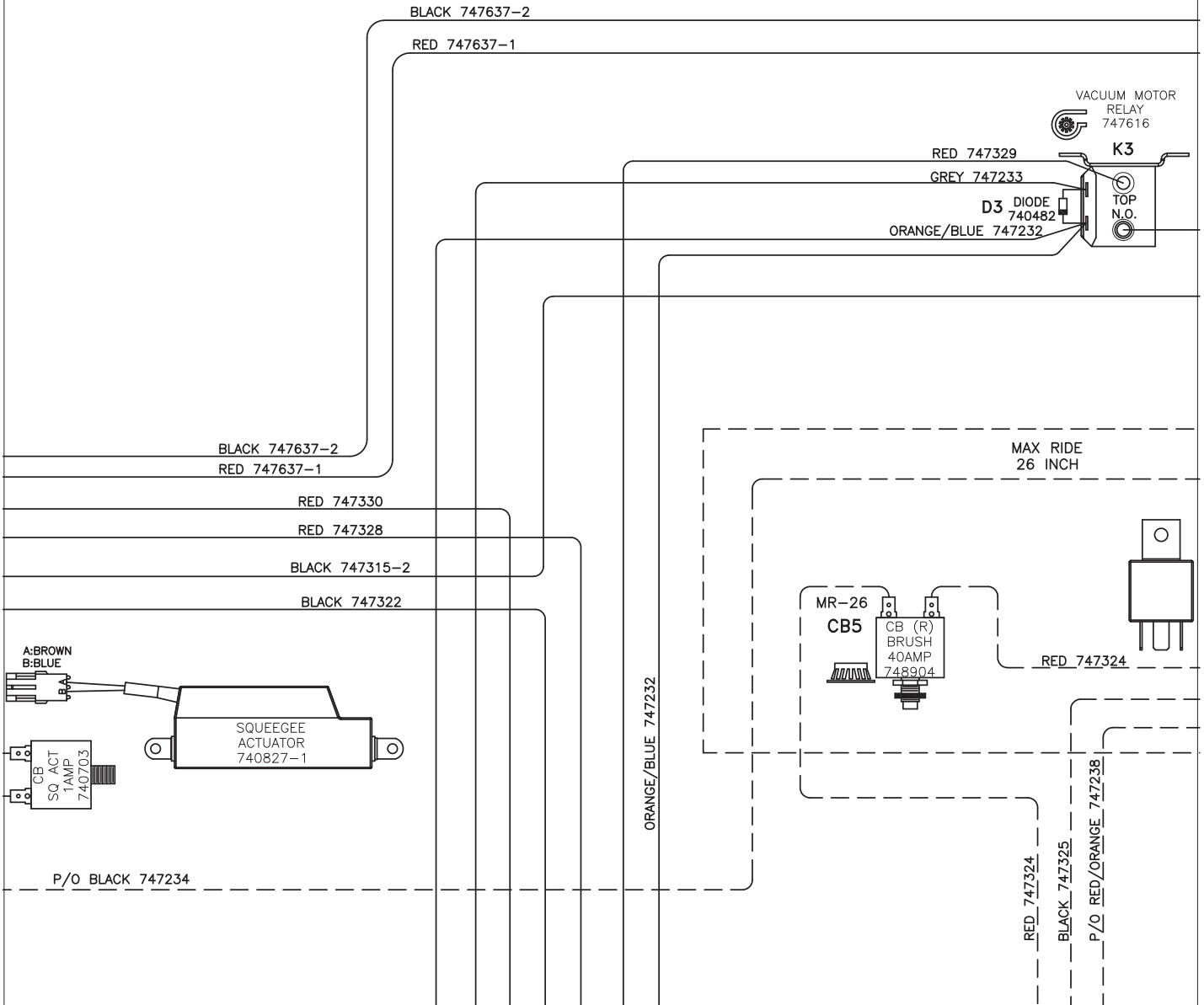
BROWN/WHITE 747335 - CONT

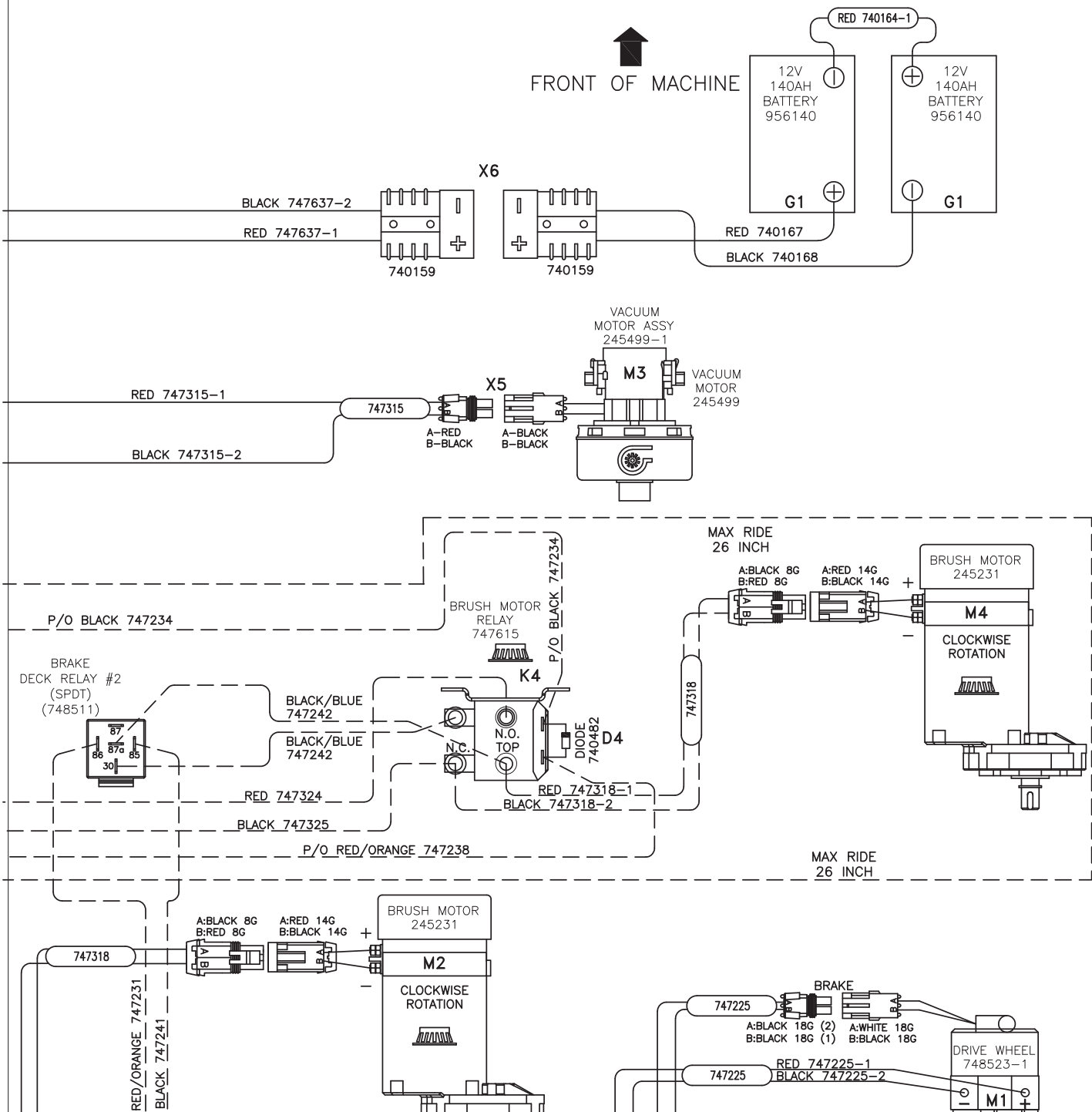


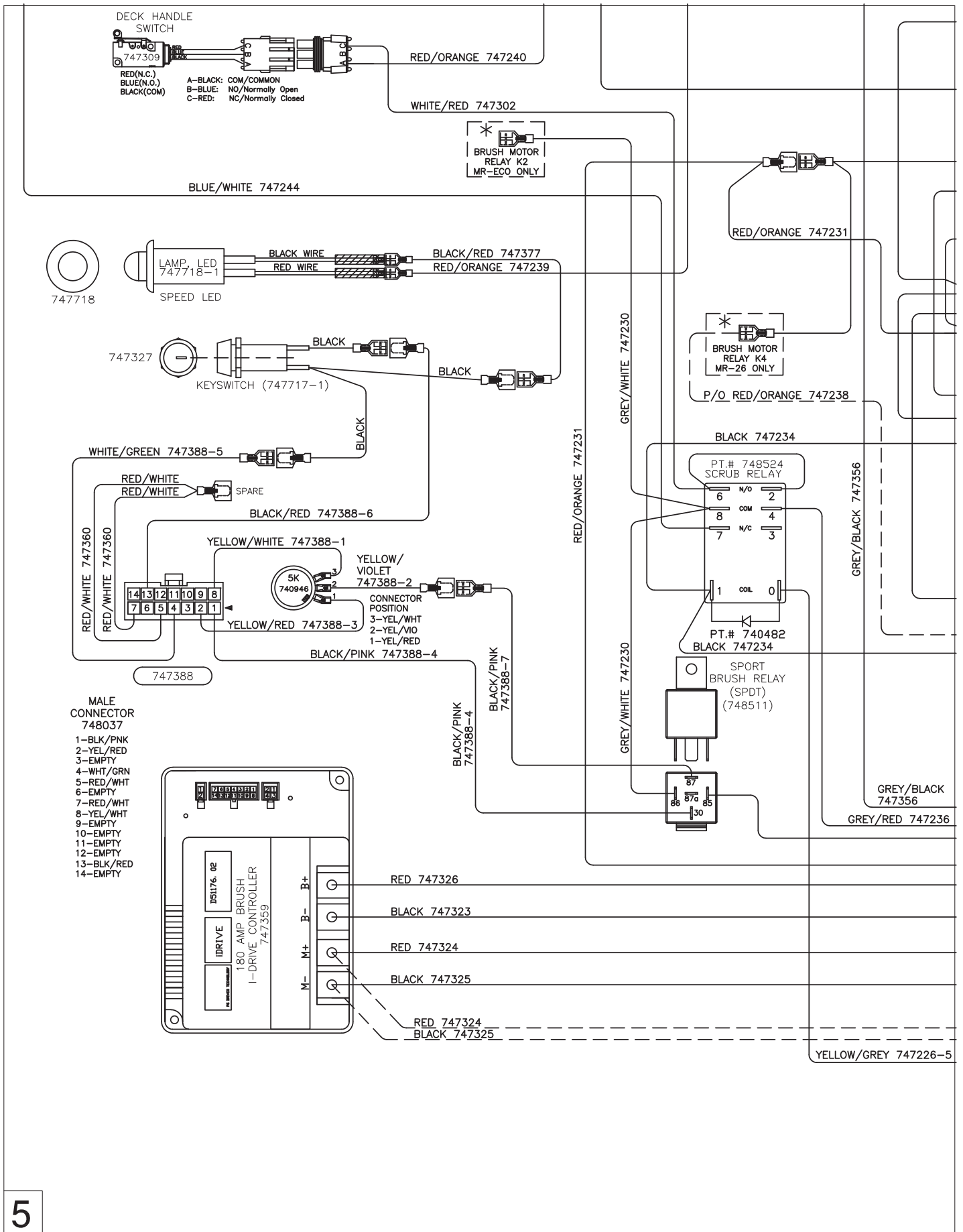


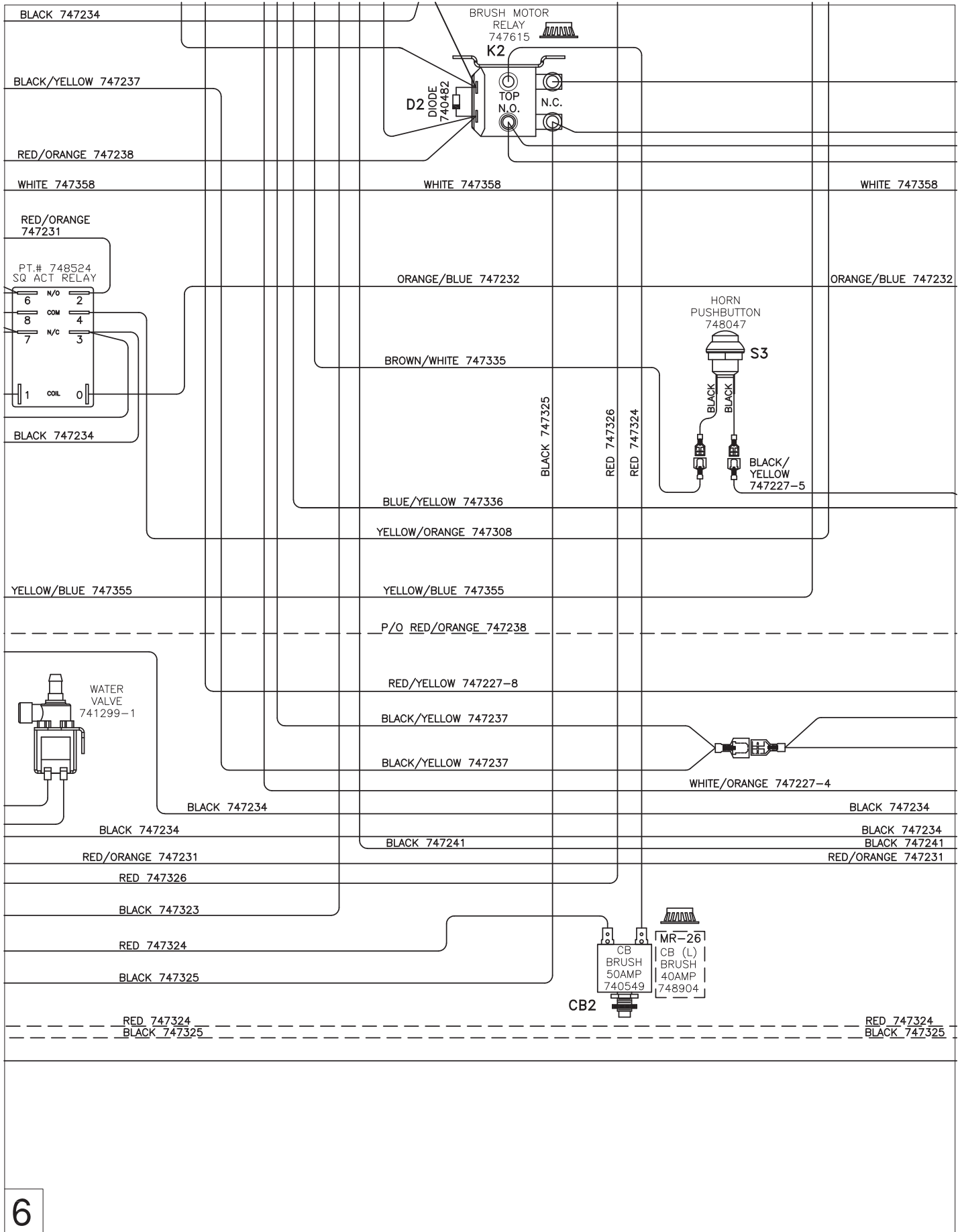
RELAY NUT COVER
 MAIN RELAY M8 15592033 (4)
 VACUUM RELY M6 15592025 (2)
 BRUSH MOTOR RELAY M6 15592025 (4)

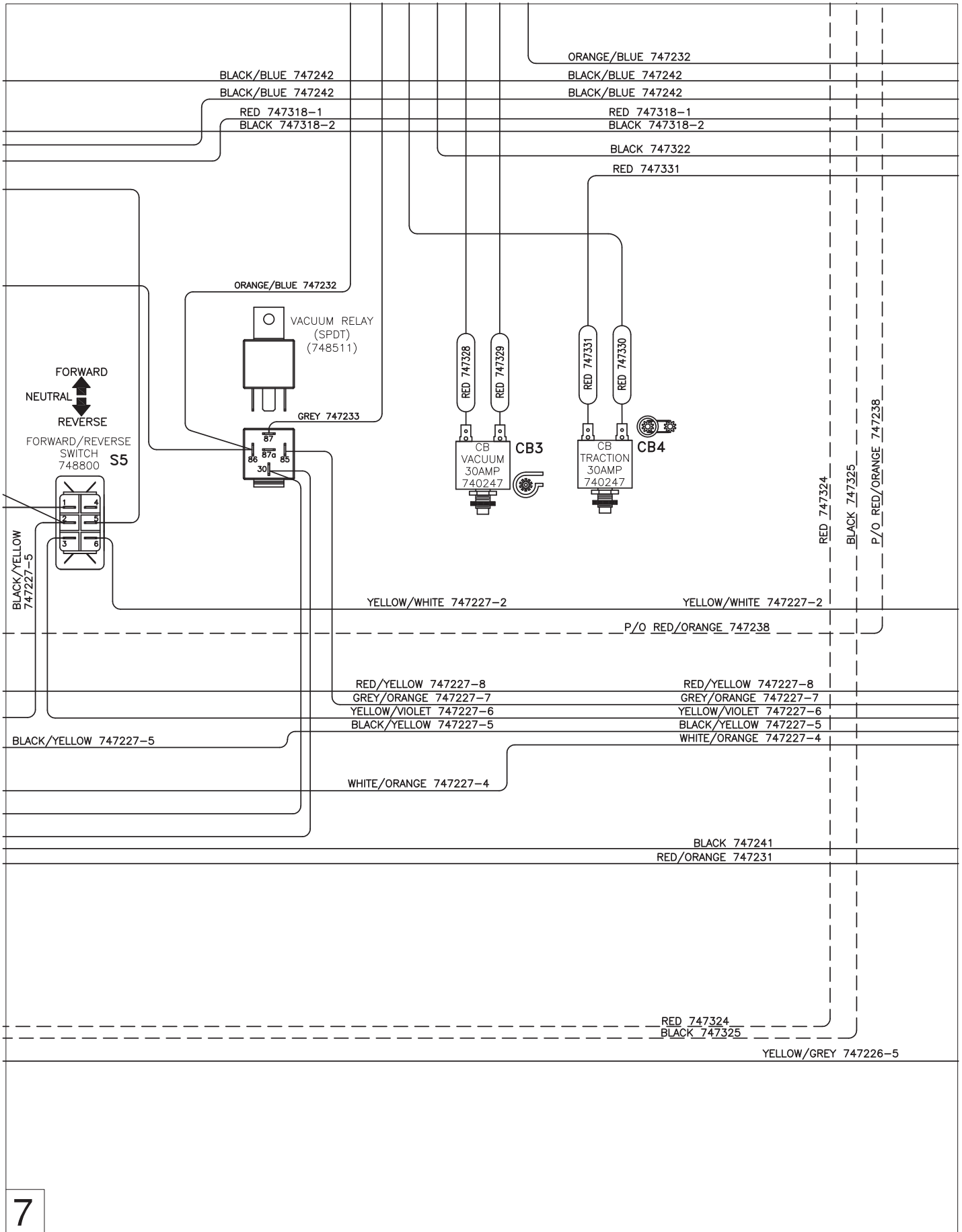
*RELAY TERMINALS ARE METRIC
 MAIN RELAY: M8 TORQUE TO 8-9.5Nm
 VACUUM & BRUSH RELAY:M6 TORQUE TO 3.6-3.9Nm

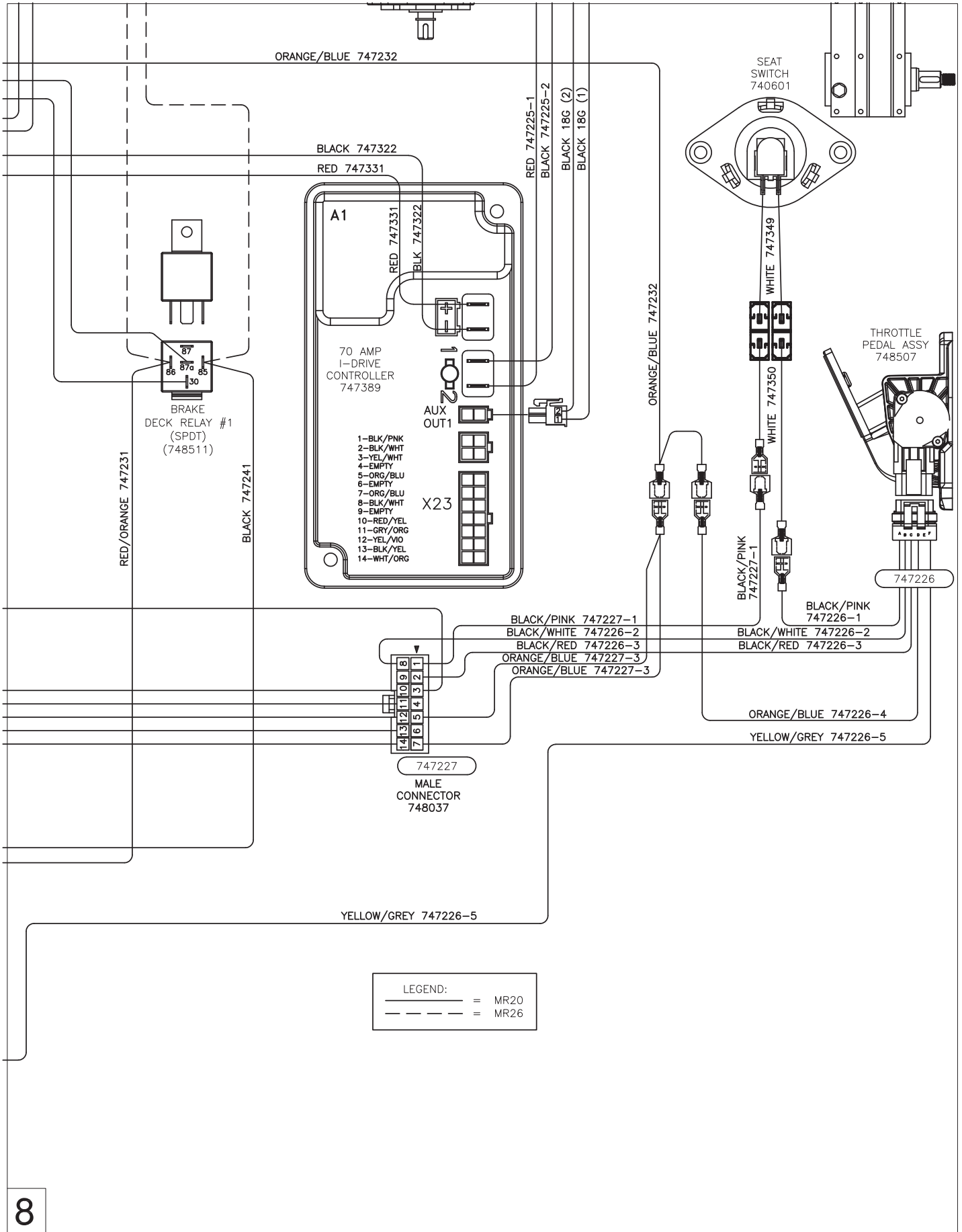












“Excellence Meets Clean”

**Minuteman is a Full Line Manufacturer of Sweepers and Scrubbers,
for Industrial Facilities.**