



**EZ Mop 360°  
Parts Manual**

Thank you for your purchase of the new EZ Mop 360. Our Customer Service Department would like to hear from you. If you see any errors, omissions or something that needs clarification in this Parts Catalog please let us know. We are working hard towards continually improving our processes to bring you the best you deserve. Please copy the form below, fill out and comment on how you found our catalog.

Thank you!

*The Minuteman International Team*

Name: \_\_\_\_\_

Title: \_\_\_\_\_

Company Name: \_\_\_\_\_

Address: \_\_\_\_\_

Country: \_\_\_\_\_

Type of equipment or model number: \_\_\_\_\_

Comments: \_\_\_\_\_

Please return to:

Customer Service Manager  
Minuteman International, Inc.  
14N845 U.S. Route 20  
Pingree Grove, Illinois 60140 USA

Phone: (800) 323-9420

Email: [tech@minutemanintl.com](mailto:tech@minutemanintl.com)

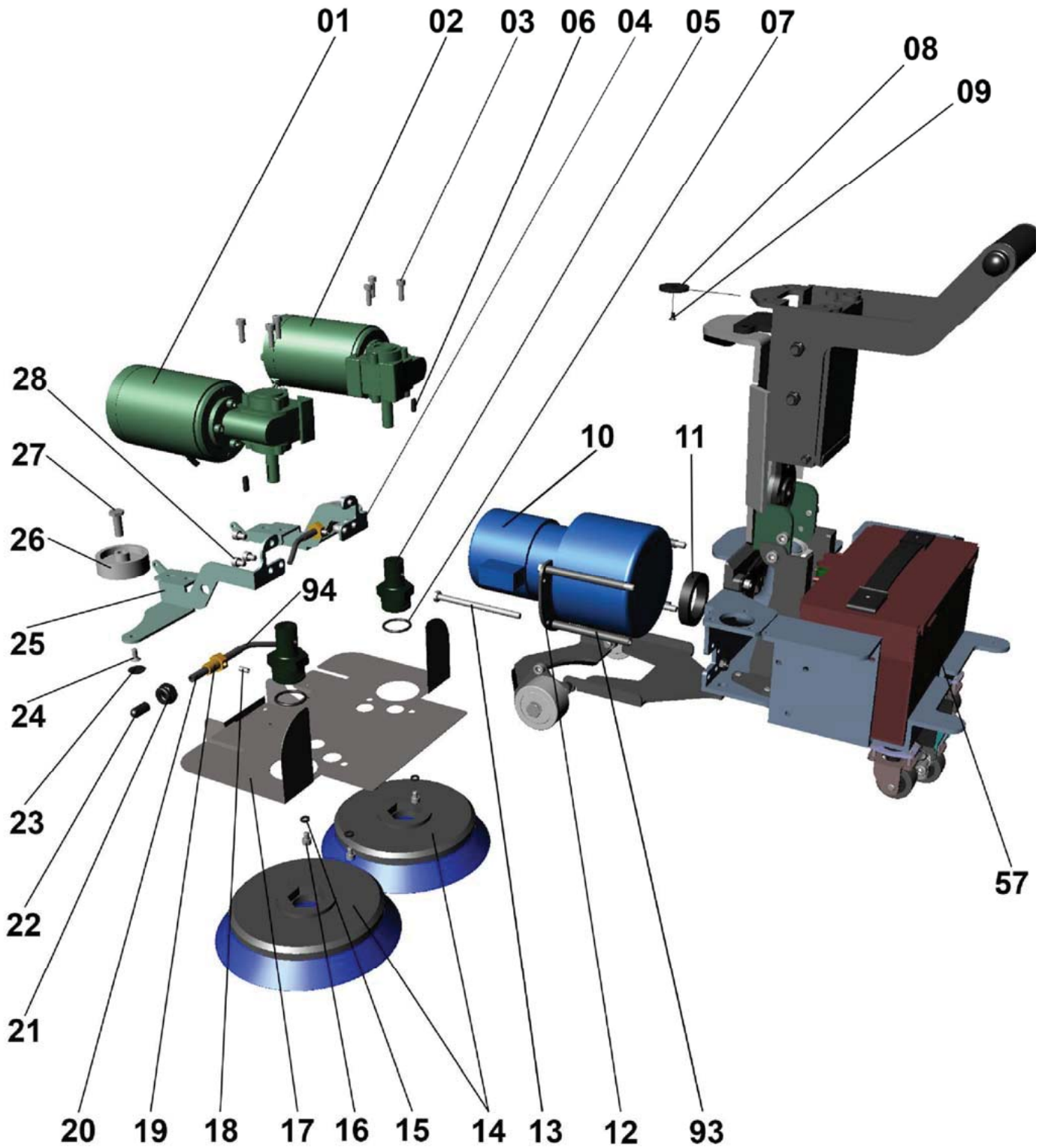
## Table of Contents

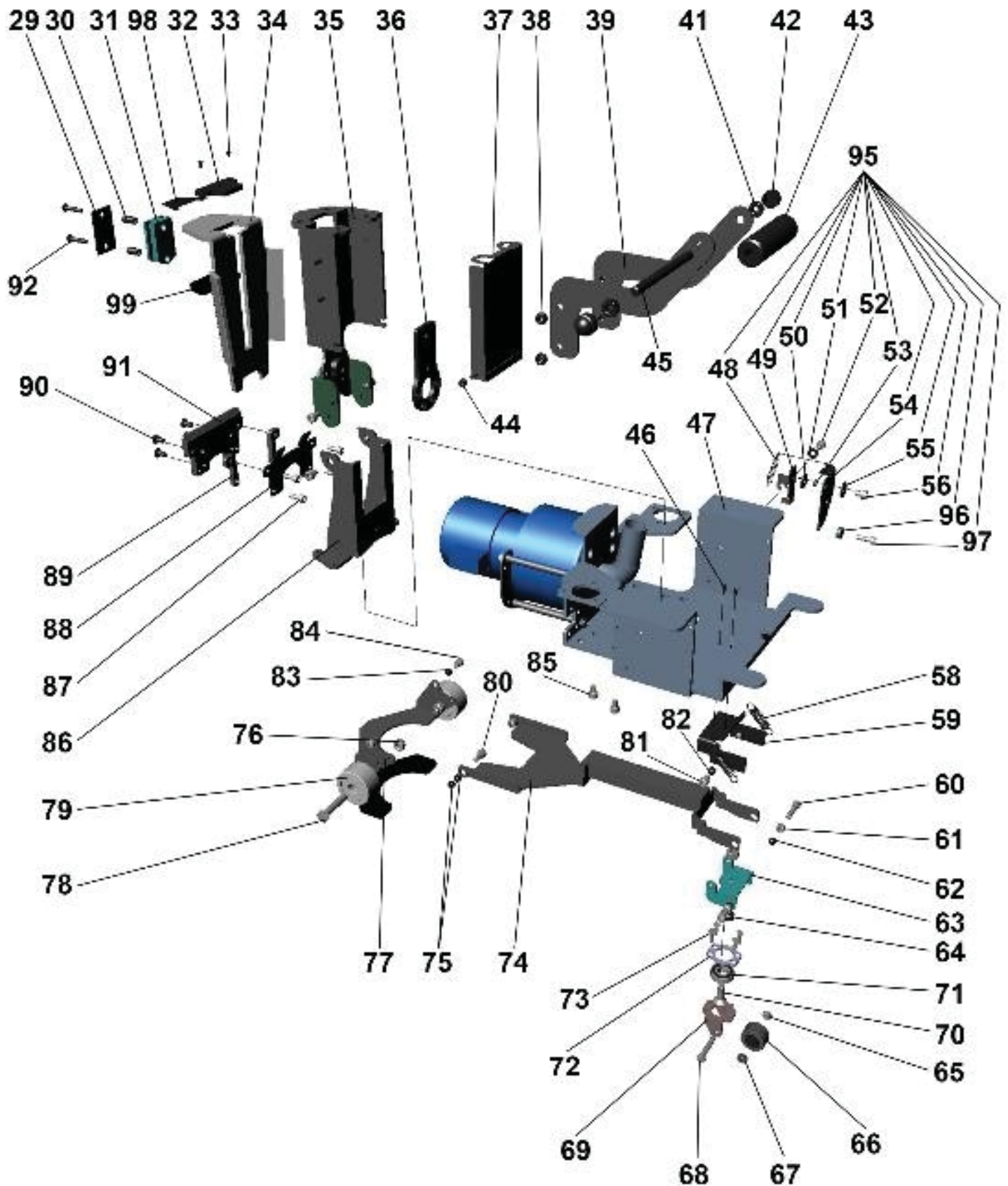
|                                    |    |
|------------------------------------|----|
| TECHNICAL SPECIFICATIONS.....      | 3  |
| CHASSIS ASSEMBLY .....             | 4  |
| TANK ASSEMBLY .....                | 10 |
| SQUEEGEE ASSEMBLY.....             | 12 |
| HANDLE AND RECOVERY ASSEMBLY ..... | 14 |
| MEMBRANE CONTROL GROUP .....       | 16 |
| ACCESSORIES .....                  | 18 |
| WARRANTY.....                      | 20 |

## TECHNICAL SPECIFICATIONS

Model EZ MOP 360° (MM14QP)

| TECHNICAL SPECIFICATIONS |                          |
|--------------------------|--------------------------|
| LITHIUM ION BATTERY      | 36 VOLTS                 |
| RUN TIME                 | 1 HOUR                   |
| SCRUB WIDTH              | 410 MM                   |
| SCQUEEGEE WIDTH          | 17.7 INCHES              |
| PAD / BRUSH PRESSURE     | 48.5 LBS                 |
| BRUSH SPEED              | 210 RPM                  |
| PRODUCTIVITY             | 5,400 SQUARE FEET / HOUR |
| SOLUTION TANK            | .8 GALLONS               |
| RECOVERY TANK            | 1.3 GALLONS              |
| VACUUM MOTOR             | 36 VOLT / .40 H.P.       |
| NOISE LEVEL              | 66 DBA                   |





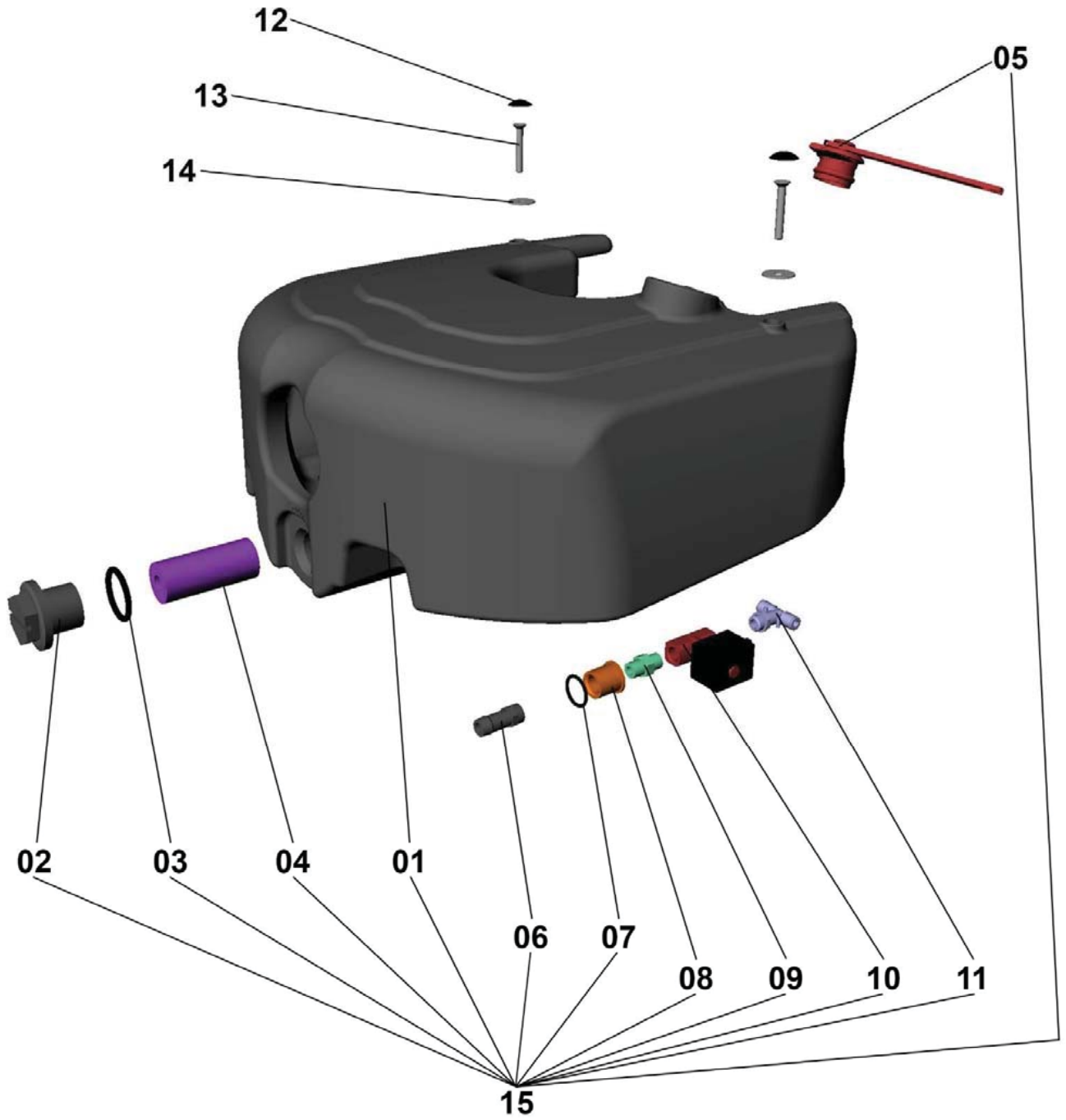
| CHASSIS ASSEMBLY |          |                            |          |
|------------------|----------|----------------------------|----------|
| ITEM             | PART NO. | DESCRIPTION                | QUANTITY |
| 1                | 830159   | LEFT BRUSH MOTOR           | 1        |
| 2                | 830158   | RIGHT BRUSH MOTOR          | 1        |
| 3                | 830200   | SCREW                      | 6        |
| 4                | 830234   | RIGHT WHELL SUPPORT        | 1        |
| 5                | 830134   | BRUSH COUPLING O-RING      | 2        |
| 6                | 830157   | SHAFT KEY                  | 2        |
| 7                | 831100   | BRUSH COUPLING O-RING      | 1        |
| 8                | 830119   | MAGNET                     | 1        |
| 9                | 830207   | SCREW                      | 1        |
| 10               | 830142   | KIT VAC MOTOR              | 1        |
| 11               | 831101   | GASKET KIT MIRA            | 1        |
| 12               | 830160   | VAC MOTOR PLATE            | 1        |
| 13               | 830211   | SCREW                      | 4        |
| 14               | 830186   | BRUSH PPL 170/200          | 2        |
|                  | 830187   | BRUSH PES 170/200 (OPT.)   | 2        |
|                  | 830188   | (OPT.)                     | 2        |
|                  | 830189   | BRUSH TYNEX 170/200 (OPT.) | 2        |
| 15               | 830245   | WASHER                     | 4        |
| 16               | 830194   | SCREW                      | 4        |
| 17               | 830162   | PROTECTION PLATE           | 1        |
| 18               | 830210   | SCREW                      | 2        |
| 19               | 830110   | WATER HOSE BUSH            | 2        |
| 20               | 830109   | HOSE NOOZLE                | 2        |
| 21               | 830126   | RING NUT                   | 2        |
| 22               | 830120   | HOSE CAP                   | 2        |
| 23               | 830115   | SCREW CAP                  | 2        |
| 24               | 830197   | SCREW                      | 2        |

| CHASSIS ASSEMBLY |          |                     |          |
|------------------|----------|---------------------|----------|
| ITEM             | PART NO. | DESCRIPTION         | QUANTITY |
| 25               | 830235   | LEFT WHELL SUPPORT  | 1        |
| 26               | 830180   | ADJUSTING WHEEL SQG | 2        |
| 27               | 830101   | BUMPER WHEEL SHAFT  | 2        |
| 28               | 830194   | SCREW               | 6        |
| 29               | 831102   | COVER PLATE         | 1        |
| 30               | 830108   | BUSH 6x8x15,5       | 2        |
| 31               | 831103   | SLED                | 1        |
| 32               | 830165   | MAGNET PLATE        | 1        |
| 33               | 830207   | SCREW               | 2        |
| 34               | 830161   | HANDLE LOCK         | 1        |
| 35               | 831104   | HANDLE SUPPORT      | 1        |
| 36               | 831105   | REINFORCED PLATE    | 1        |
| 37               | 830143   | SUPPORT COVER       | 1        |
| 38               | 831106   | RING NUT            | 2        |
| 39               | 830168   | HANDLE PLATE        | 2        |
| 41               | 831106   | RING NUT            | 2        |
| 43               | 830111   | HANDLE              | 1        |
| 44               | 830127   | RING NUT            | 2        |
| 45               | 831107   | SCREW               | 1        |
| 46               | 830199   | SCREW               | 2        |
| 47               | 830249   | CHASSIS             | 1        |
| 48               | 830241   | SPRING              | 1        |
| 49               | 831108   | BRACKET             | 1        |
| 50               | 830257   | WASHER              | 1        |
| 51               | 830179   | WASHER              | 1        |
| 52               | 830194   | SCREW               | 1        |
| 53               | 830219   | SPRING BUSH         | 1        |

| CHASSIS ASSEMBLY |          |                      |          |
|------------------|----------|----------------------|----------|
| ITEM             | PART NO. | DESCRIPTION          | QUANTITY |
| 54               | 831109   | HOOK                 | 1        |
| 55               | 830257   | WASHER               | 1        |
| 56               | 830194   | SCREW                | 1        |
| 57               | 830135   | BATTERY PACK 36 VOLT | 1        |
| 58               | 830240   | SPRING               | 2        |
| 59               | 830237   | SPRING SUPPORT       | 1        |
| 60               | 830251   | SCREW                | 2        |
| 61               | 830124   | RING NUT             | 2        |
| 62               | 830107   | BUSH                 | 2        |
| 63               | 830236   | ROTATING BRACKET     | 1        |
| 64               | 830221   | BUSH                 | 1        |
| 65               | 830225   | RING NUT             | 1        |
| 66               | 830247   | WHEEL D=30           | 1        |
| 67               | 830220   | SPACER BUSH          | 1        |
| 68               | 830256   | SCREW                | 1        |
| 69               | 830238   | WHEEL SUPPORT        | 1        |
| 70               | 830252   | SCREW                | 1        |
| 71               | 830224   | BEARING              | 1        |
| 72               | 830243   | BEARING HOLDER       | 1        |
| 73               | 830258   | SCREW                | 4        |
| 74               | 830233   | LEVER                | 1        |
| 75               | 830107   | BUSH                 | 4        |
| 76               | 830125   | RING NUT             | 1        |
| 77               | 830232   | FRONT PLATE          | 1        |
| 78               | 830254   | SCREW                | 2        |
| 79               | 830246   | WHEEL D=50           | 2        |
| 80               | 830253   | SCREW                | 2        |

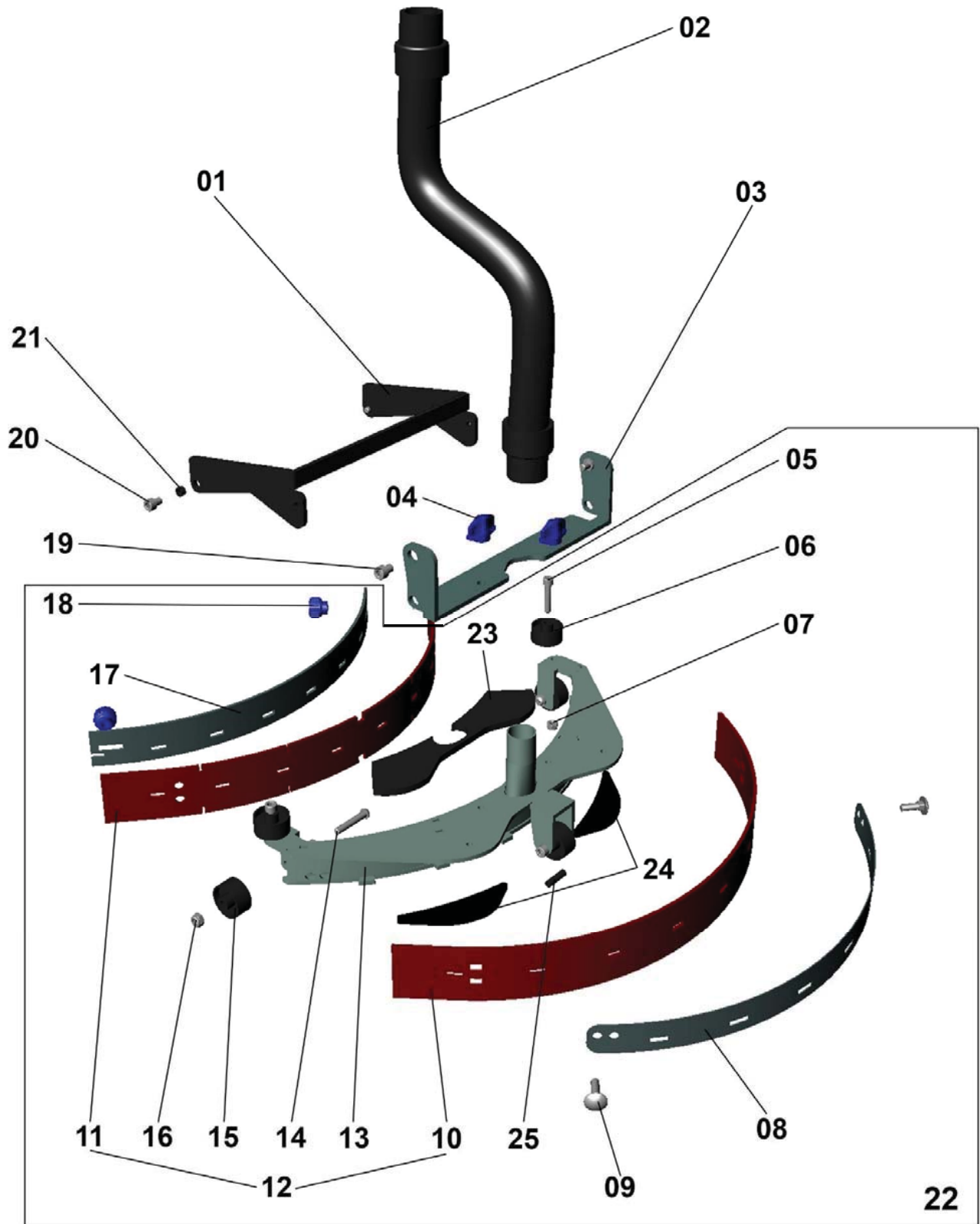


| CHASSIS ASSEMBLY |          |                       |          |
|------------------|----------|-----------------------|----------|
| ITEM             | PART NO. | DESCRIPTION           | QUANTITY |
| 81               | 830251   | SCREW                 | 2        |
| 82               | 830107   | BUSH                  | 2        |
| 83               | 830107   | BUSH                  | 2        |
| 84               | 830194   | SCREW                 | 2        |
| 85               | 830204   | SCREW                 | 4        |
| 86               | 830144   | MAIN SUPPORT          | 1        |
| 87               | 830200   | SCREW                 | 4        |
| 88               | 830167   | HANDLE FIXING DOOR    | 1        |
| 89               | 830147   | SIDE GUIDE            | 2        |
| 90               | 830205   | SREW                  | 4        |
| 91               | 830145   | HANDLE GUIDE SUPPORTO | 1        |
| 92               | 831110   | SCREW                 | 2        |
| 93               | 830109   | HOSE NOZZLE           | 4        |
| 94               | 831111   | HOSE NOZZLE           | 2        |
| 95               | 831112   | HOOK ASSEMBLY         | 1        |
| 96               | 831113   | BEARING               | 1        |
| 97               | 831114   | SCREW                 | 4        |
| 98               | 831115   | LOCKING ADHESIVE      | 1        |
| 99               | 831116   | MOVEMENT GASKET       | 1        |



| TANK ASSEMBLY |          |                      |     |
|---------------|----------|----------------------|-----|
| ITEM          | PART NO. | DESCRIPTION          | QTY |
| 1             | 830183   | CLEAN WATER TANK     | 1   |
| 2             | 830169   | DRAIN CAP WATER TANK | 1   |
| 3             | 830155   | O-RING               | 1   |
| 4             | 831117   | CLEAR WATER FILTRE   | 1   |
| 5             | 831118   | CLEAN WATER CAP      | 1   |
| 6             | 830172   | RACCORD 1/4" D=10    | 1   |
| 7             | 830156   | O-RING               | 1   |
| 8             | 830106   | WATER HOSE BUSH      | 1   |
| 9             | 830170   | NIPPLES M-M 1/4"     | 1   |
| 10            | 830129   | SOLENOID VALVE COMPL | 1   |
| 11            | 830171   | "T" RACCORD          | 1   |
| 12            | 830115   | SCREW CAP            | 2   |
| 13            | 830196   | SCREW                | 2   |
| 14            | 830178   | WASHER               | 2   |
| 15            | 831119   | KIT CLEAN WATER TANK | 1   |

# SQUEEGEE ASSEMBLY



| SQUEEGEE ASSEMBLY |          |                                      |     |
|-------------------|----------|--------------------------------------|-----|
| ITEM              | PART NO. | DESCRIPTION                          | QTY |
| 1                 | 830239   | SQUEEGEE SUPPORT                     | 1   |
| 2                 | 830193   | VACUUM HOSE                          | 1   |
| 3                 | 830229   | SQG CONNECTION PLATE                 | 1   |
| 4                 | 830118   | KNOB MOD 1065/F M6                   | 2   |
| 5                 | 830202   | SCREW                                | 2   |
| 6                 | 830181   | SQUEEGEE WHEEL MIRA                  | 5   |
| 7                 | 830124   | RING NUT                             | 2   |
| 8                 | 831120   | REAR SPRING BLADE SQG MIRA           | 1   |
| 9                 | 830201   | SQUARE HEAD SCREW                    | 2   |
| 10                | 830175   | REAR SQG BLADE IN POLIURETHAN        | 1   |
|                   | 830176   | REAR SQG BLADE LYNATEX MIRA          |     |
| 11                | 830173   | FRONT SQG BLADE POLIURETHAN          | 1   |
|                   | 830174   | FRONT SQG BLADE LYNATEX              |     |
| 12                | 830136   | KIT FRONT AND REAR SQG BLADE POLIU   | 1   |
|                   | 830137   | KIT FRONT AND REAR SQG BLADE LYNATEX |     |
| 13                | 831160   | SQUEEGEE BODY MIRA                   | 1   |
| 14                | 830212   | SCREW                                | 2   |
| 15                | 830181   | SQUEEGEE WHEEL MIRA                  | 5   |
| 16                | 830124   | RING NUT                             | 2   |
| 17                | 830163   | SQUEEGEE FRONT METAL BLADE           | 1   |
| 18                | 830117   | KNOB SQG M6                          | 2   |
| 19                | 830194   | SCREW                                | 2   |
| 20                | 830194   | SCREW                                | 2   |
| 21                | 830107   | BUSH 6x8x4,6                         | 2   |
| 22                | 831161   | SQUEEGEE ASSEMBLY                    | 1   |
| 23                | 831162   | SQUEEGEE ADHESIVE                    | 1   |
| 24                | 831116   | MOVEMENT GASKET                      | 1   |
| 25                | 831163   | REAR WHEEL TUBE                      | 1   |

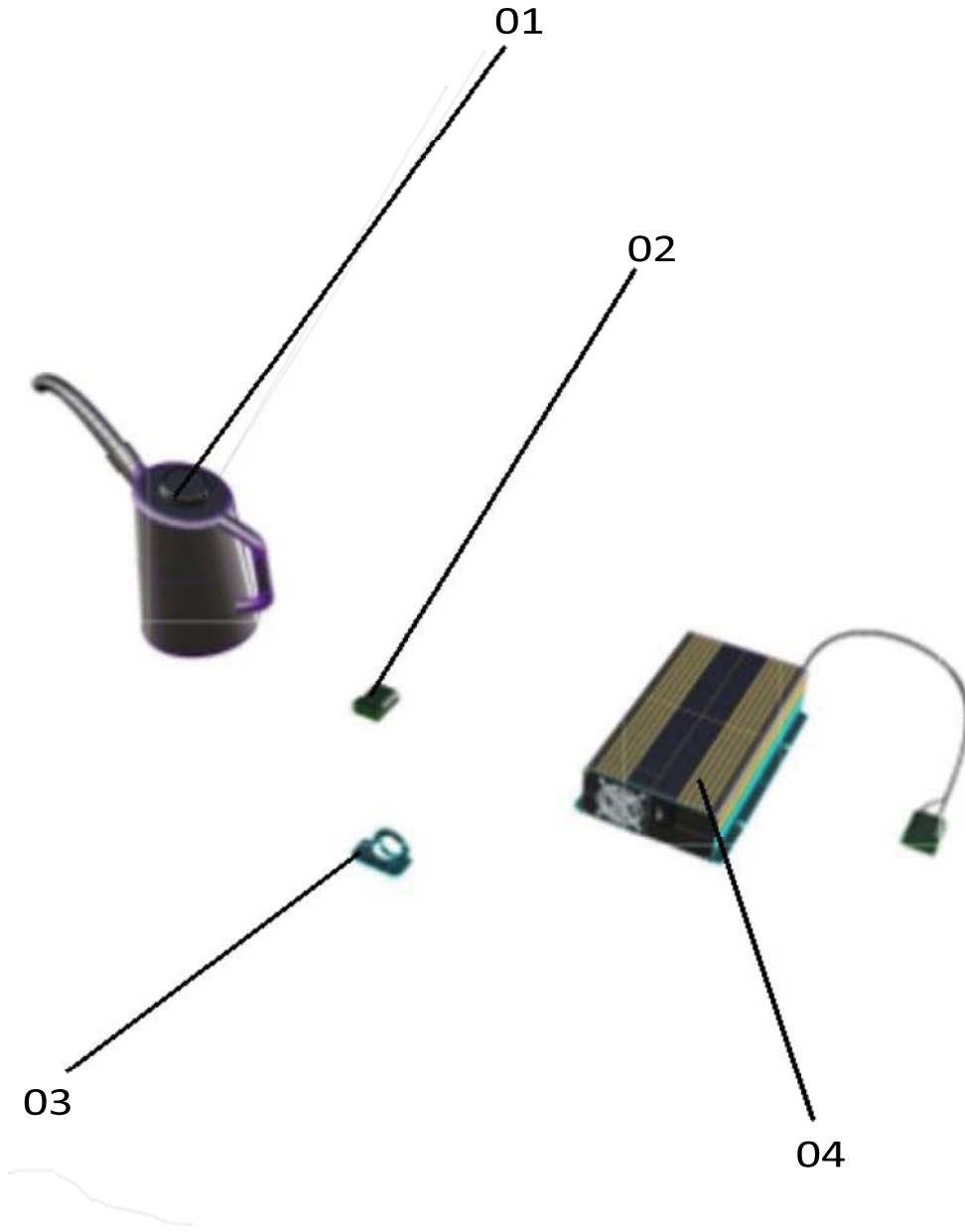


| HANDLE AND RECOVERY ASSEMBLY |          |                         |     |
|------------------------------|----------|-------------------------|-----|
| ITEM                         | PART NO. | DESCRIPTION             | QTY |
| 1                            | 830248   | RECOVERY TANK           | 1   |
| 2                            | 830184   | HANDLE                  | 1   |
| 3                            | 830192   | VACC HOSE               | 1   |
| 4                            | 830140   | TUBE WITH CURVED        | 1   |
| 5                            | 831164   | FIXING KNOB             | 2   |
| 6                            | 830131   | VACC FILTRE             | 1   |
| 7                            | 831165   | GASKET                  | 1   |
| 8                            | 830116   | ELASTIC RUBBER COUPLING | 2   |
| 9                            | 830122   | SPACER                  | 2   |
| 10                           | 830213   | SCREW                   | 4   |
| 11                           | 830208   | SCREW                   | 4   |
| 12                           | 830114   | METAL CLAMP             | 1   |
| 13                           | 830102   | RECOVERY TANK CAP       | 1   |
| 14                           | 831166   | KIT RECOVERY TANK       | 1   |
| 15                           | 831167   | FIXING KNOB             | 2   |
| 16                           | 831168   | HANDLE AIR GASKET       | 1   |
| 17                           | 830275   | FLOAT KIT               | 1   |
| 18                           | 830278   | CONTACT KIT             | 1   |





| MEMBRANE CONTROL GROUP |          |                  |     |
|------------------------|----------|------------------|-----|
| ITEM                   | PART NO. | DESCRIPTION      | QTY |
| 1                      | 830132   | MEMBRANE CONTROL | 1   |
| 2                      | 830209   | SCREW            | 4   |
| 3                      | 830112   | MAIN WIRING      | 1   |
| 4                      | 830113   | ENGINE WIRING    | 1   |
| 5                      | 831169   | FLOATING WIRING  | 1   |



| ACCESSORIES |          |                |     |
|-------------|----------|----------------|-----|
| ITEM        | PART NO. | DESCRIPTION    | QTY |
| 1           | 830261   | FILL BOTTLE    | 1   |
| 2           | 830128   | RED PLUG       | 1   |
| 3           | 830259   | SOLUTION KEY   | 1   |
| 4           | 830216   | BATTERY CHARGE | 1   |

## Minuteman International Made Simple Commercial Limited Warranty

### REVISION Q EFFECTIVE 4/10/18

Minuteman International, Inc. warrants to the original purchaser/user that the product is free from defects in workmanship and materials under normal use. Minuteman will, at its option, repair or replace without charge, parts that fail under normal use and service when operated and maintained in accordance with the applicable operation and instruction manuals. All warranty claims must be submitted through and approved by factory authorized repair stations.

This warranty does not apply to normal wear, or to items whose life is dependent on their use and care, such as belts, cords, switches, hoses, rubber parts, brushes, electrical motor components or adjustments. Parts manufactured by Minuteman are covered by and subject to the warranties and/or guarantees of their manufacturers. Please contact Minuteman for procedures in warranty claims against these manufacturers.

**Special warning to purchaser** -- Use of replacement filters and/or pre-filters not manufactured by Minuteman or its designated licensees, will void all warranties expressed or implied. A potential health hazard exists without original equipment replacement.

All warranted items become the sole property of Minuteman or its original manufacturer, whichever the case may be.

Minuteman disclaims any implied warranty, including the warranty of merchantability and the warranty of fitness for a particular purpose. Minuteman assumes no responsibility for any special, incidental or consequential damages.

This limited warranty is applicable only in the U.S.A. and Canada, and is extended only to the original user/purchaser of this product. Customers outside the U.S.A. and Canada should contact their local distributor for export warranty policies. Minuteman is not responsible for costs or repairs performed by persons other than those specifically authorized by Minuteman. This warranty does not apply to damage from transportation, alterations by unauthorized persons, misuse or abuse of the equipment, use of non-compatible chemicals, or damage to property, or loss of income due to malfunctions of the product.

If a difficulty develops with this machine, you should contact the dealer from whom it was purchased.

This warranty gives you specific legal rights, and you may have other rights which vary from state to state. Some states do not allow the exclusion or limitation of special, incidental or consequential damages, or limitations on how long an implied warranty lasts, so the above exclusions and limitations may not apply to you.

| <b>Model</b>                                    | <b>Parts</b> | <b>Labor</b> | <b>Poly</b> | <b>Travel**</b> |
|---|--------------|--------------|-------------|-----------------|
| Cord Electric Group                             | 5yrs         | 3yrs         | 12yrs       | 90 days         |
| Battery Auto Scrubbers (incl. on board charger) | 5yrs         | 3yrs         | 12yrs       | 90 days         |
| Battery and Manual Sweepers                     | 3yrs         | 3yrs         | 12yrs       | 90 days         |


***Exceptions.....***

| <b>Model</b>                                      | <b>Parts</b> | <b>Labor</b> | <b>Poly</b> | <b>Travel**</b> |
|---|--------------|--------------|-------------|-----------------|
| Port A Scrub, all models (incl. on board charger) | 1yr          | 6months      | 12yrs       | 90 days         |
| A3S Blower  | 1yr          | 1yr          | 0           | 0               |
| Phenom Dual Motor Upright Vacuums                 | 2yrs         | 2yrs         | 0           | 0               |
| Explosion Proof Vacuum                            | 1yr          | 1yr          | 0           | 0               |
| Propane Burnisher                                 | 1yr          | 1yr          | 0           | 90 days         |
| E14BQP and E14115 scrubber                        | 1yr          | 1yr          | 12yrs       | 90 days         |
| EZ-Mop  | 1yr          | 1yr          | 0           | 90 days         |
| ROS-17  | 1yr          | 1yr          | 0           | 90 days         |
| **Travel, 2 hours max                             |              |              |             |                 |

|                                      |   |
|--------------------------------------|---|
| <i>Stand-alone Battery Chargers:</i> | One year  |
| <i>Replacement Parts:</i>            | Ninety days                                       |
| <i>Batteries:</i>                    | 0-3 months full replacement, 4-12 months pro-rate |
| <i>Polypropylene Plastic Tanks:</i>  | 12yr warranty, no additional labor                |

# ***“Excellence Meets Clean”***

**Minuteman is a Full Line Manufacturer of Sweepers and Scrubbers,  
for Industrial Facilities.**



14N845 U.S. Route 20, Pingree Grove, IL 60140 USA  
Phone (800) 323-9420 - [www.minutemanintl.com](http://www.minutemanintl.com)  
***A Member of the Hako Group***