

Minuteman[®]

More Than Just Clean



Scrubmaster B5

Parts Manual

Minuteman International, Inc.
A Member of the Hako Group

988793 Rev C 12/23

PREFACE

Thank you for your purchase of the new industry standard for floor scrubbers. Minuteman International takes great pride in offering the most dependable, reliable and best value in industrial vacuums, power sweepers and sweeper / scrubbers. We set the standard.

Our Customer Service Department would like to hear from you. If you see any errors, omissions or something that needs clarification in this Parts Catalog please let us know. We are working hard towards continually improving our processes to bring you the best you deserve. Please copy the form below, fill out and comment on how you found our catalog.

Thank you!
The Minuteman International Team

Name: _____

Title: _____

Company Name: _____

Address: _____

Country: _____

Type of equipment or model number: _____

Comments: _____

Please return to:
Customer Service Manager
Minuteman International, Inc.
14N845 U.S. Route 20
Pingree Grove, Illinois 60140 USA

Phone: (800) 323-9420
Email: tech@minutemanintl.com

Technical Specifications

Model **Scrubmaster B5**
Models: **SM17QP**

Technical Data	SM17QP
Working width scrubbing	17 in
Width squeegee	22 in
Area performance, theoretical	1400 ft ² /h
Power Source	Battery
Traction Drive	No
Type of brushes	Orbital
No. of brushes	1
Brush diameter	17 in
Brush speed in rpm	1450/1880
Brush pressure	44 lb
Solution tank in gallons	1.3 gallons
Rated voltage	24 Volts
Rated power - brush motor	200 Watts
Rated power - suction motor	260 Watts
Battery capacity	12.8 Ah
Theoretical Runtime	60 min
Practical Runtime	45 min
Length	23.6 in
Width squeegee	19/22 in
Height	46 in
Weight w/o battery	44 lb
Gross weight with battery	59.5 lb
Noise level	68/68 dB(A)

For Safety When Servicing or Maintaining Machine

- Stop on level surface.
- Disconnect the power to the machine.
- Avoid moving parts. Do not wear loose jackets, shirts, or sleeves when working on machine.
- Authorized personnel must perform repairs and maintenance. Use Minuteman supplied replacement parts.

Table of Contents

Technical Specifications	3
Overview	6
Handle Tube (97171391)	7
Exploded Views	8
Handle Tube - Part One (97171391-1)	8
Operating Handle Upper Shell (97179402)	10
Operating Handle Lower Shell (97176366)	12
Lid Complete (97171409).....	14
Handle Tube - Part Two (97171391-2).....	16
Ball and Socket Joint (01386800)	18
Rope Complete (97181895).....	19
Handle Tube - Part Three (97171391-3).....	20
Dirty Water Ingress (97179030)	21
Foul Water Tank (97176556).....	22
Level Gauge (97177604).....	23
Fresh Water Tank (97179212)	24
Li-Ion Battery (01385610)	26
Cleaning Aggregate (97173629)	28

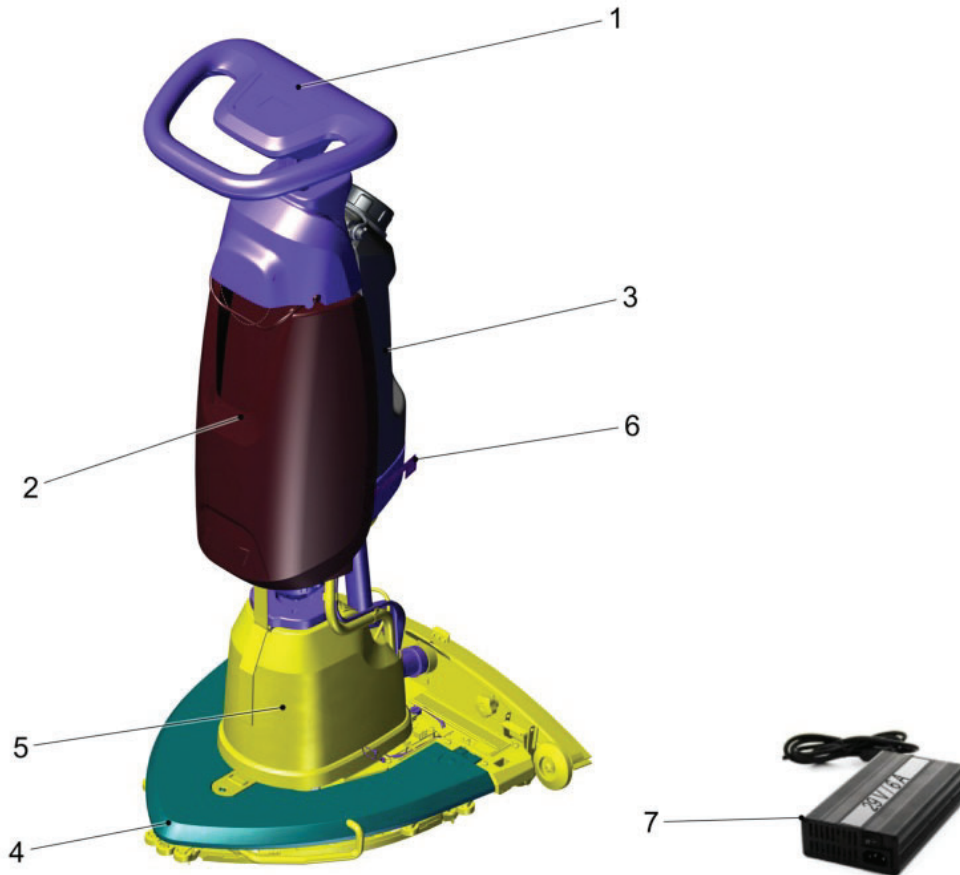
- Cleaning Aggregate - Part One (97173629-1) 29
 - Set Turbine Housing (97182398) 30
 - Support (01385580) 31
 - Support (97182224) 32
 - Suction Unit (97177174)..... 34
 - Suction Unit (01386720)..... 36
 - Insert Component (97177216)..... 37
 - Turbine (97174965)..... 38
 - Hose Guide (97182158)..... 39

- Cleaning Aggregate - Part Two (97173629-2) 40

- Cleaning Aggregate - Part Three (97173629-3)..... 42

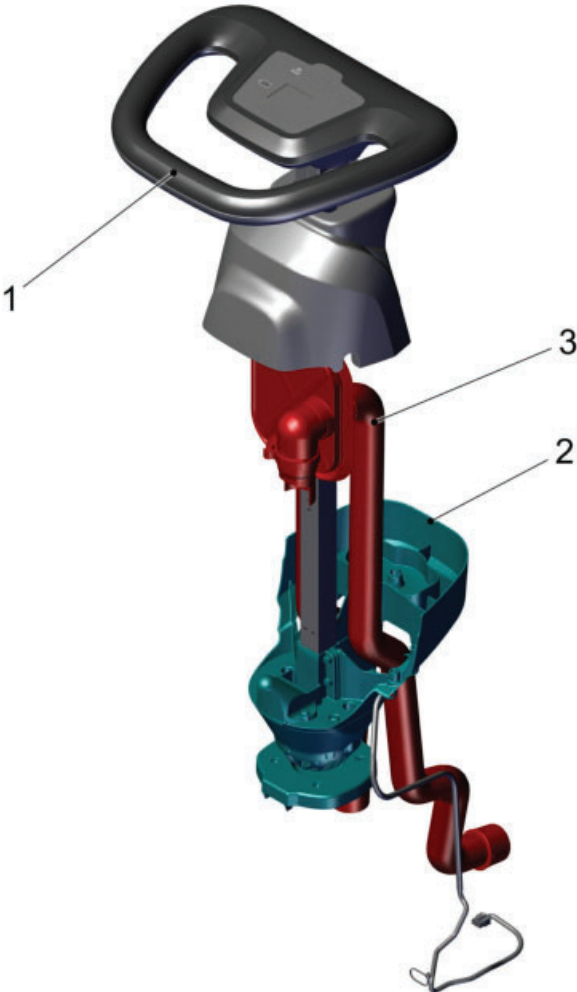
- Cleaning Tools 44

Overview



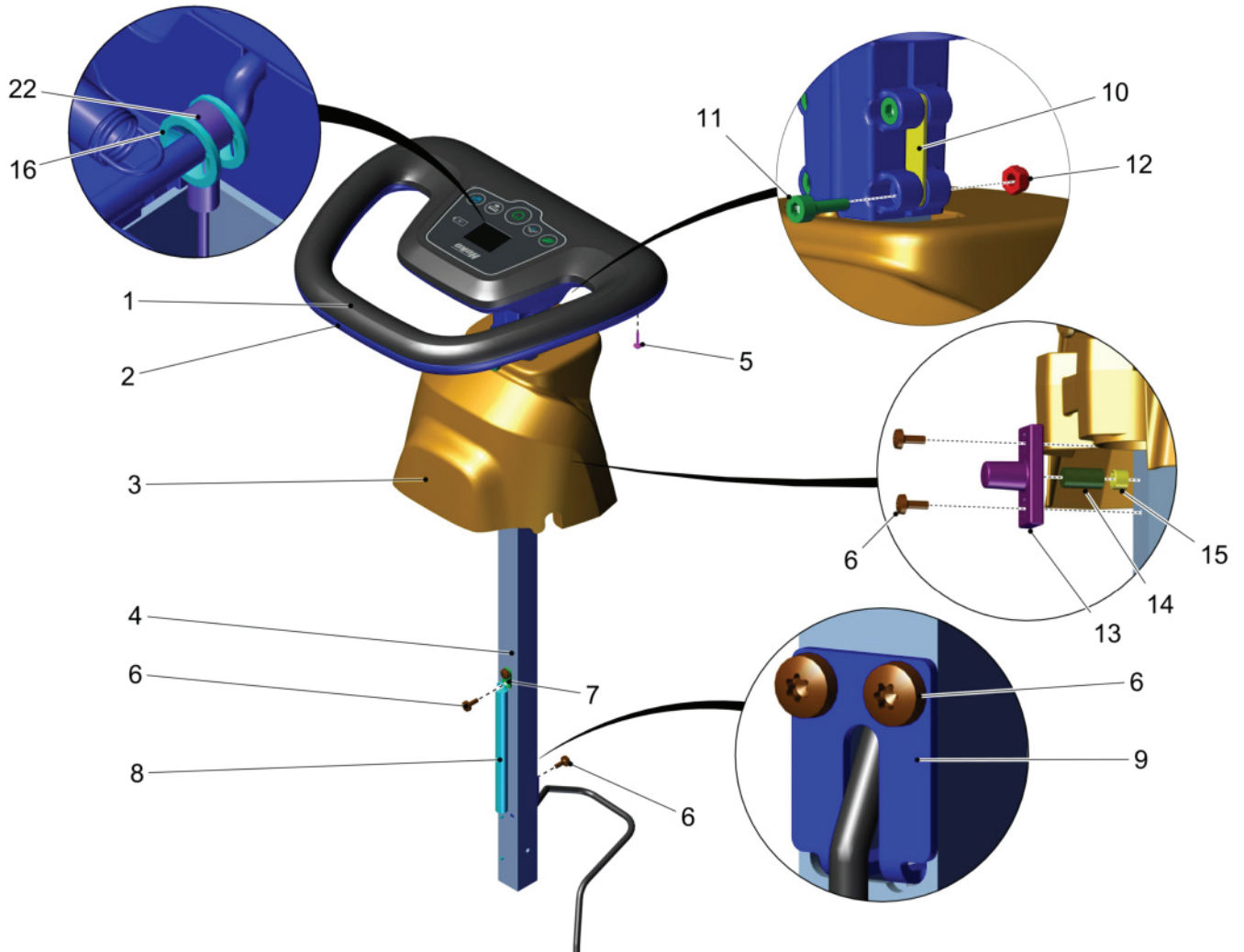
BILL OF MATERIAL			
ITEM	PART NO.	QTY	DESCRIPTION
1	97171391	1	HANDLE TUBE
2	97176556	1	FOUL WATER TANK BURGUNDY
3	97179212	1	FRESH WATER TANK STANDARD
4	01385610	1	LI-ION BATTERY
5	97173629	1	CLEANING AGGREGATE
6	97183107	1	LABELS-MINUTEMAN
7	01385230	1	BATTERY CHARGER

Handle Tube (97171391)



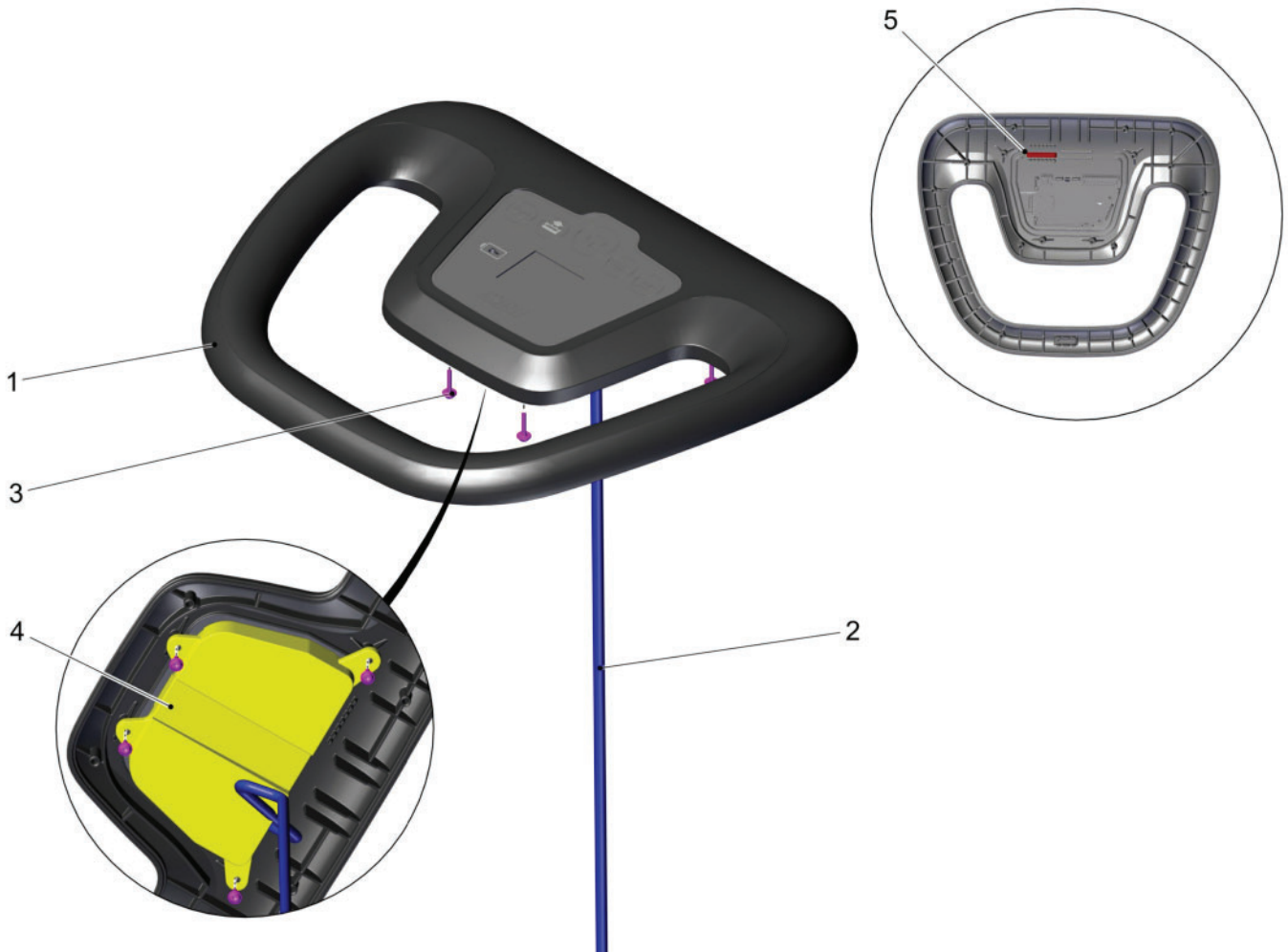
BILL OF MATERIAL			
ITEM	PART NO.	QTY	DESCRIPTION
1	97171391-1	1	HANDLE TUBE (PART 1)
2	97171391-2	1	HANDLE TUBE (PART 2)
3	97171391-3	1	HANDLE TUBE (PART 3)

Exploded Views
Handle Tube - Part One (97171391-1)



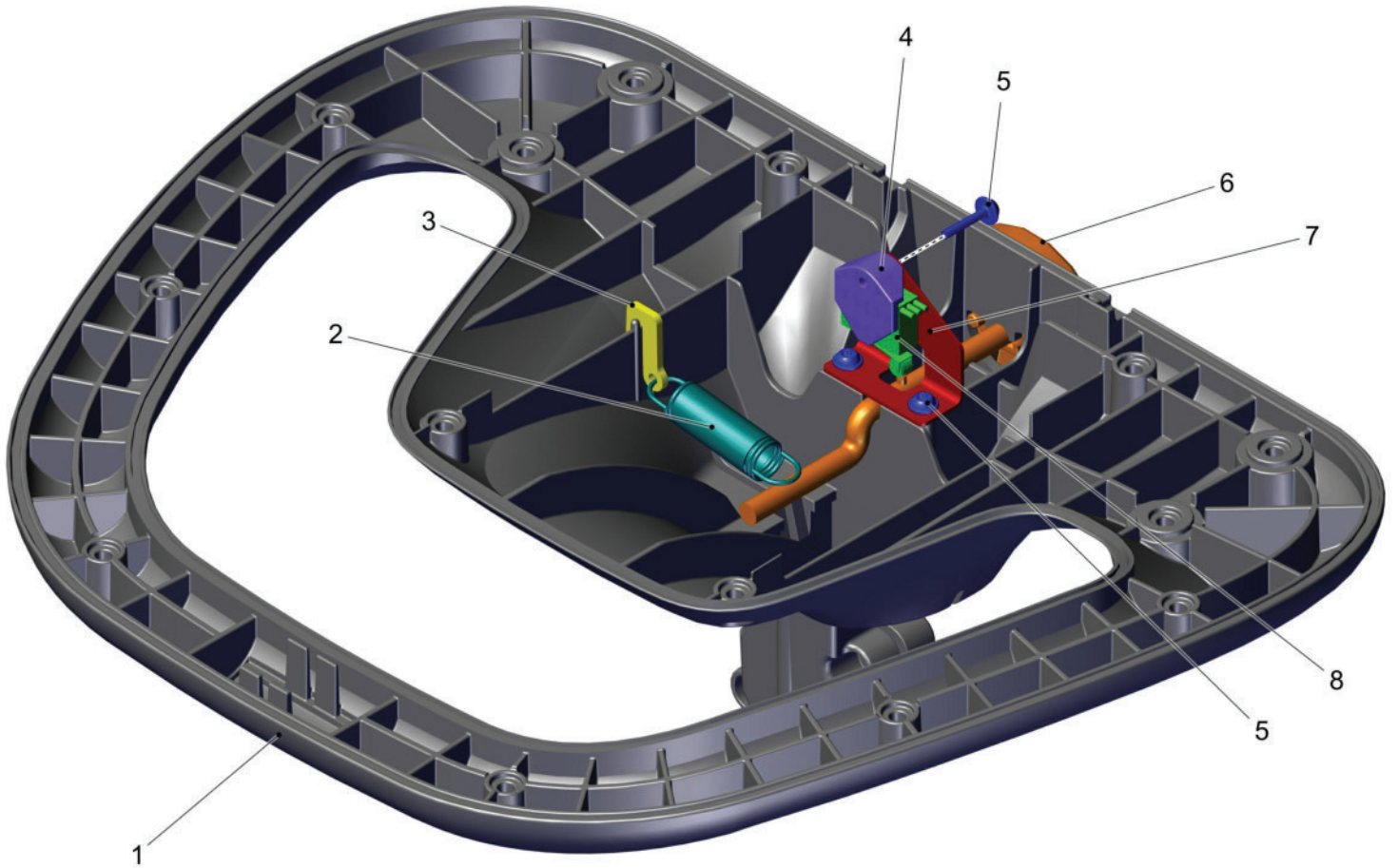
BILL OF MATERIAL			
ITEM	PART NO.	QTY	DESCRIPTION
1	97179402	1	OPERATING HANDLE UPPER SHELL
2	97176366	1	OPERATING HANDLE LOWER SHELL
3	97171409	1	LID COMPLETE
4	---	1	HANDLE SUPPORT TUBE
5	01386620	14	SCREW
6	00959220	5	SCREW
7	---	1	ADAPTER
8	01385510	1	TENSION SPRING
9	01388120	1	SHEET METAL
10	---	2	LOCKING PLATE
11	01081260	4	SOCKET HEAD SCREW
12	01017660	4	HEX. NUT
13	01386810	1	SOLENOID SUPPORT
14	01385620	1	BAR MAGNET
15	01385920	1	SLIDE BEARING BUSH
16	00023290	2	THRUST WASHER

Operating Handle Upper Shell (97179402)



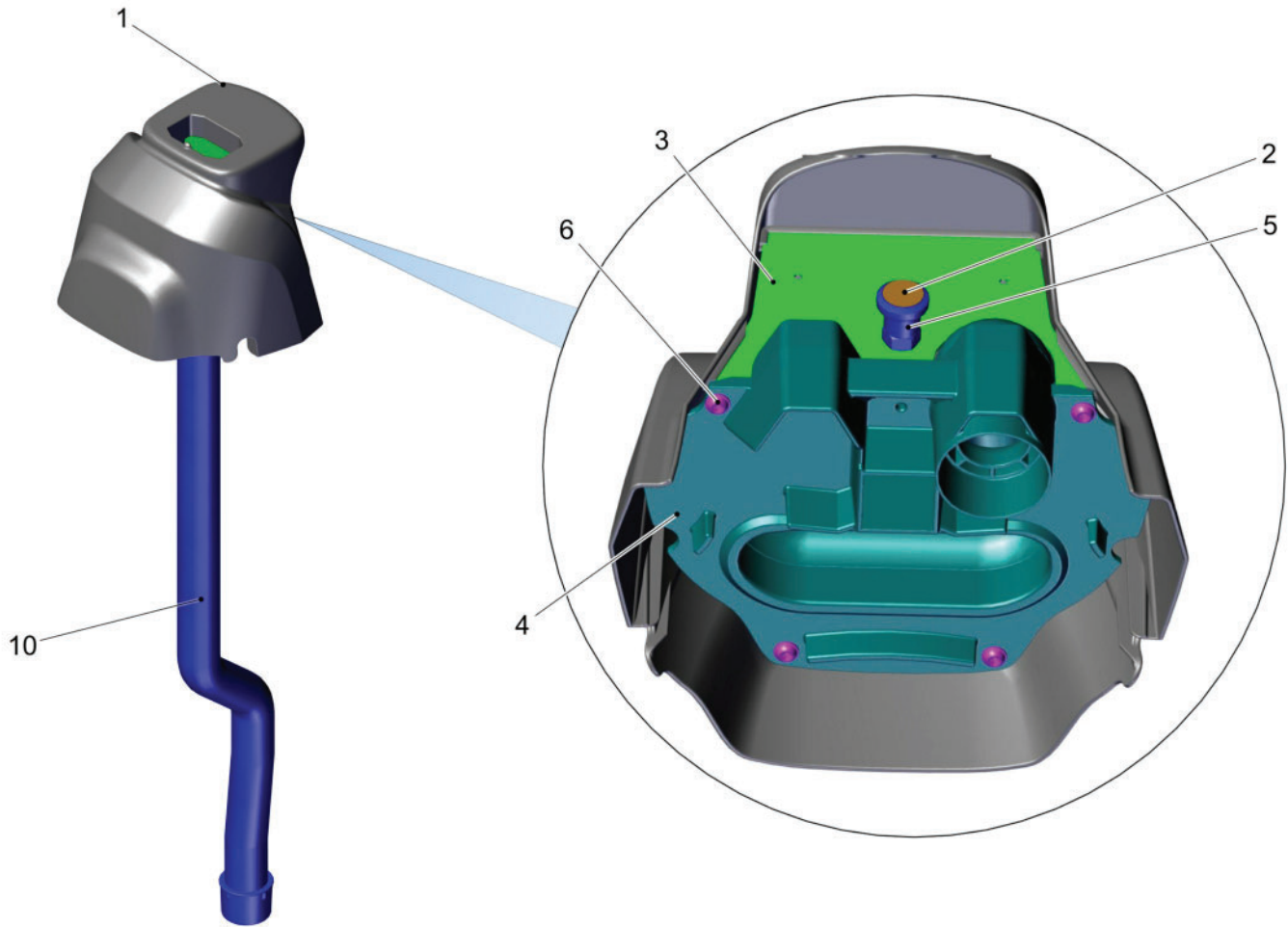
BILL OF MATERIAL			
ITEM	PART NO.	QTY	DESCRIPTION
1	01384250	1	CONTROL PANEL
2	03025620	1	WIRING HARNESS W7
3	01386620	4	SCREW
4	01386480	1	PROTECTION CAP
5	01386490	0.033	SEALING TAPE BLACK

Operating Handle Lower Shell (97176366)



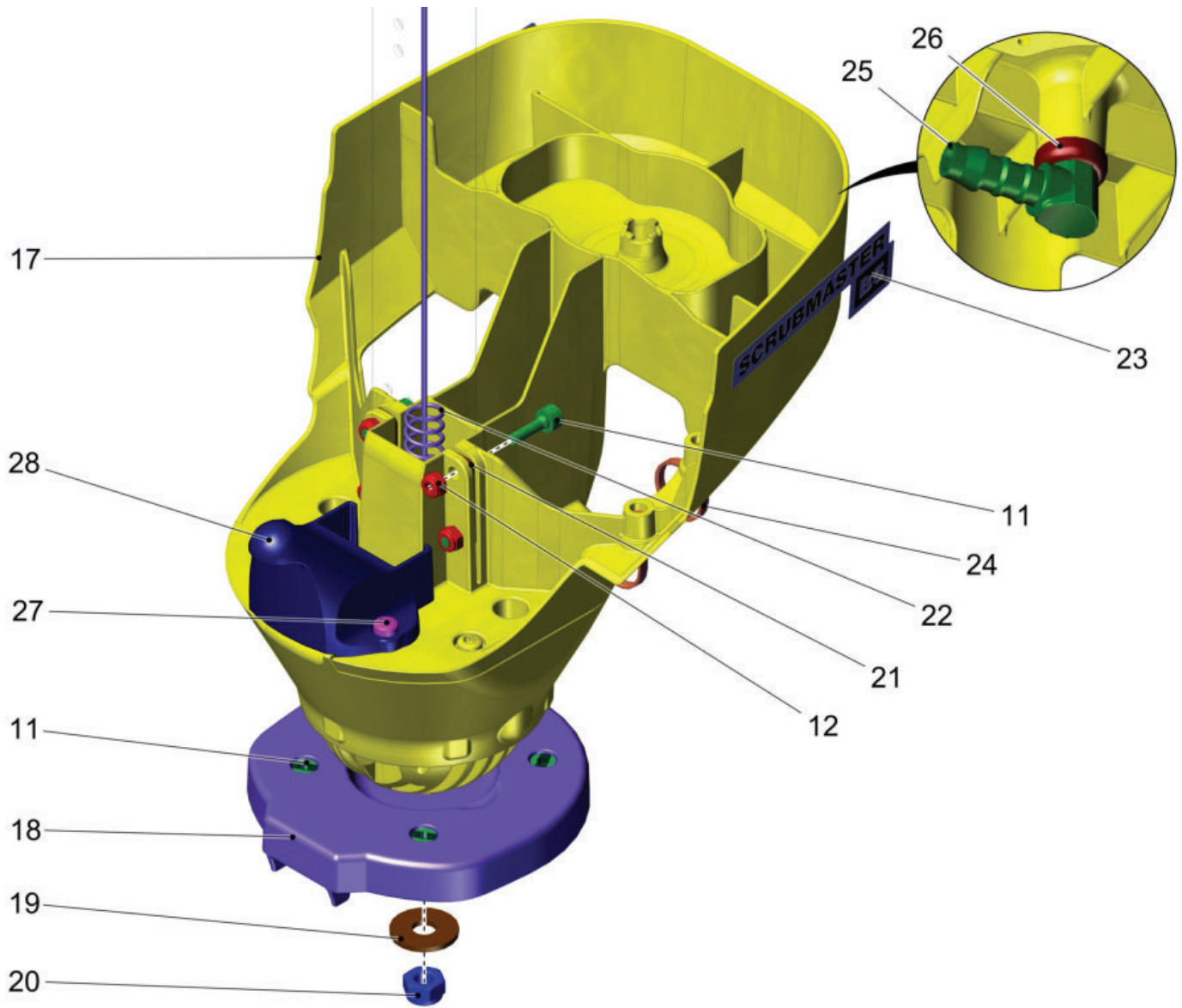
BILL OF MATERIAL			
ITEM	PART NO.	QTY	DESCRIPTION
1	01386850	1	BOTTOM SHELL B5
2	01387660	1	TENSION SPRING
3	01388170	1	HOOK
4	01372180	1	RETAINER
5	01386620	3	SCREW
6	01386860	1	TWISTLOCK
7	---	1	MICRO SWITCH
8	01385520	1	MICRO SWITCH

Lid Complete (97171409)



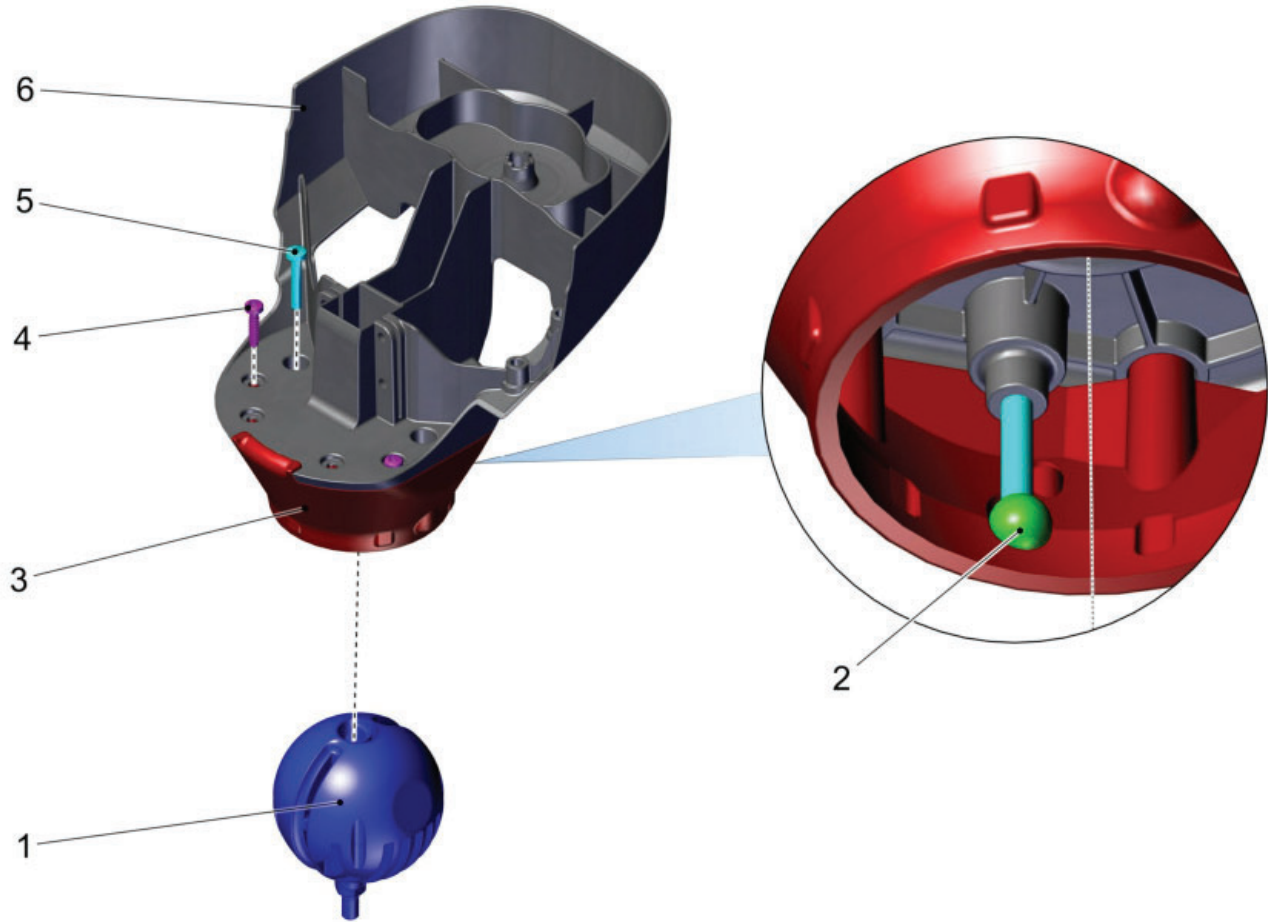
BILL OF MATERIAL			
ITEM	PART NO.	QTY	DESCRIPTION
1	---	1	COVER
2	01179160	1	DECAL YELLOW POINT
3	---	1	PRIVACY SCREEN
4	01386840	1	AIR DUCT
5	---	1	BOLT
6	01170850	4	SCREW

Handle Tube - Part Two (97171391-2)



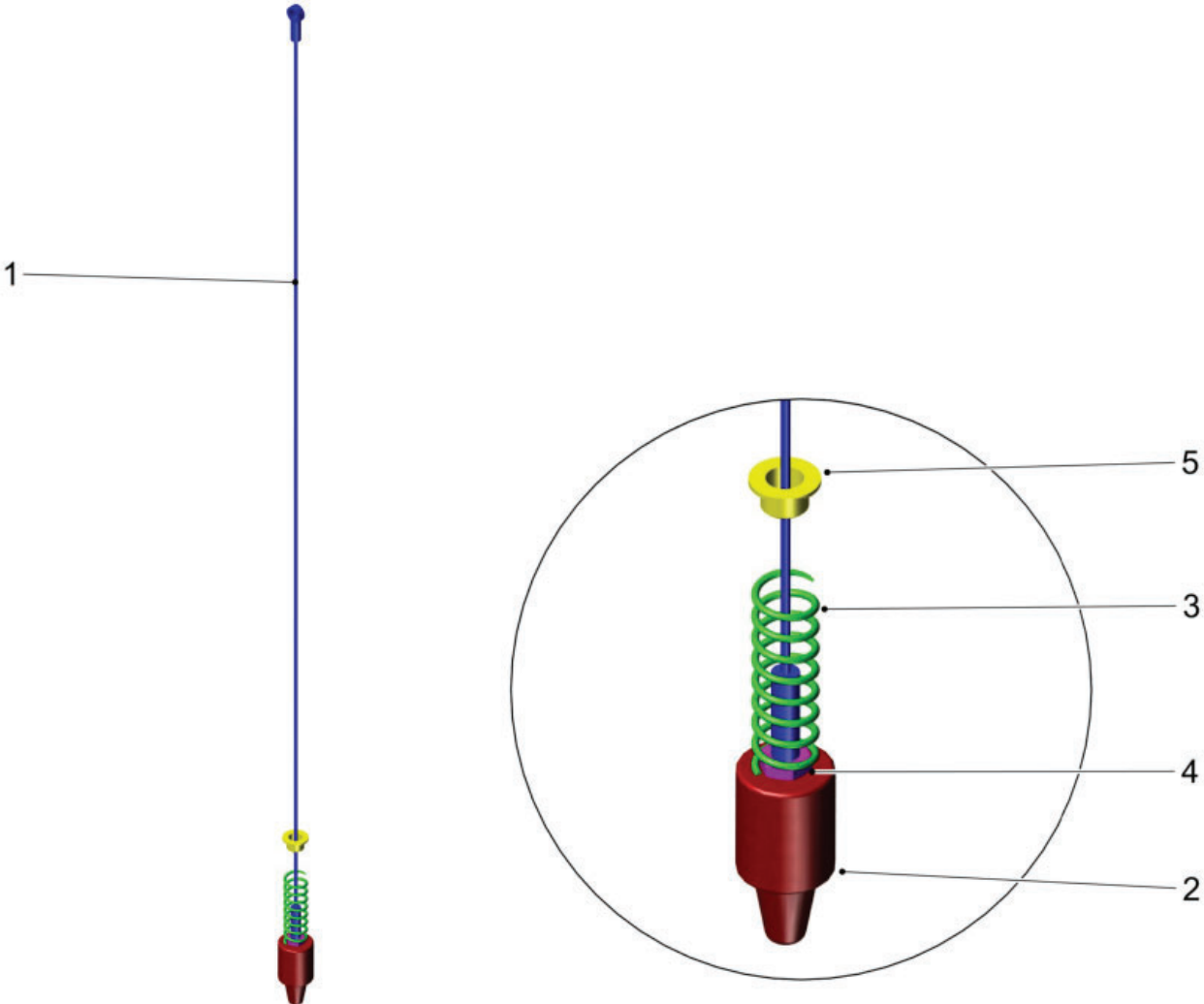
BILL OF MATERIAL			
ITEM	PART NO.	QTY	DESCRIPTION
11	01081260	8	SOCKET HEAD SCREW
12	01017660	4	HEX. NUT
17	01386800	1	BALL-AND-SOCKET JOINT
18	01385500	1	FLANGE
19	00042900	1	WASHER
20	00051510	1	HEX. NUT
21	---	2	LOCKING PLATE
22	97181895	1	ROPE COMPLETE
23	---	2	LABEL
24	01385630	2	STRAP WITH INSERT
25	01385790	1	ANGLE SOCKET
26	00864480	1	CABLE SLEEVE
27	01388010	2	SCREW
28	01386880	1	TAPER

Ball and Socket Joint (01386800)



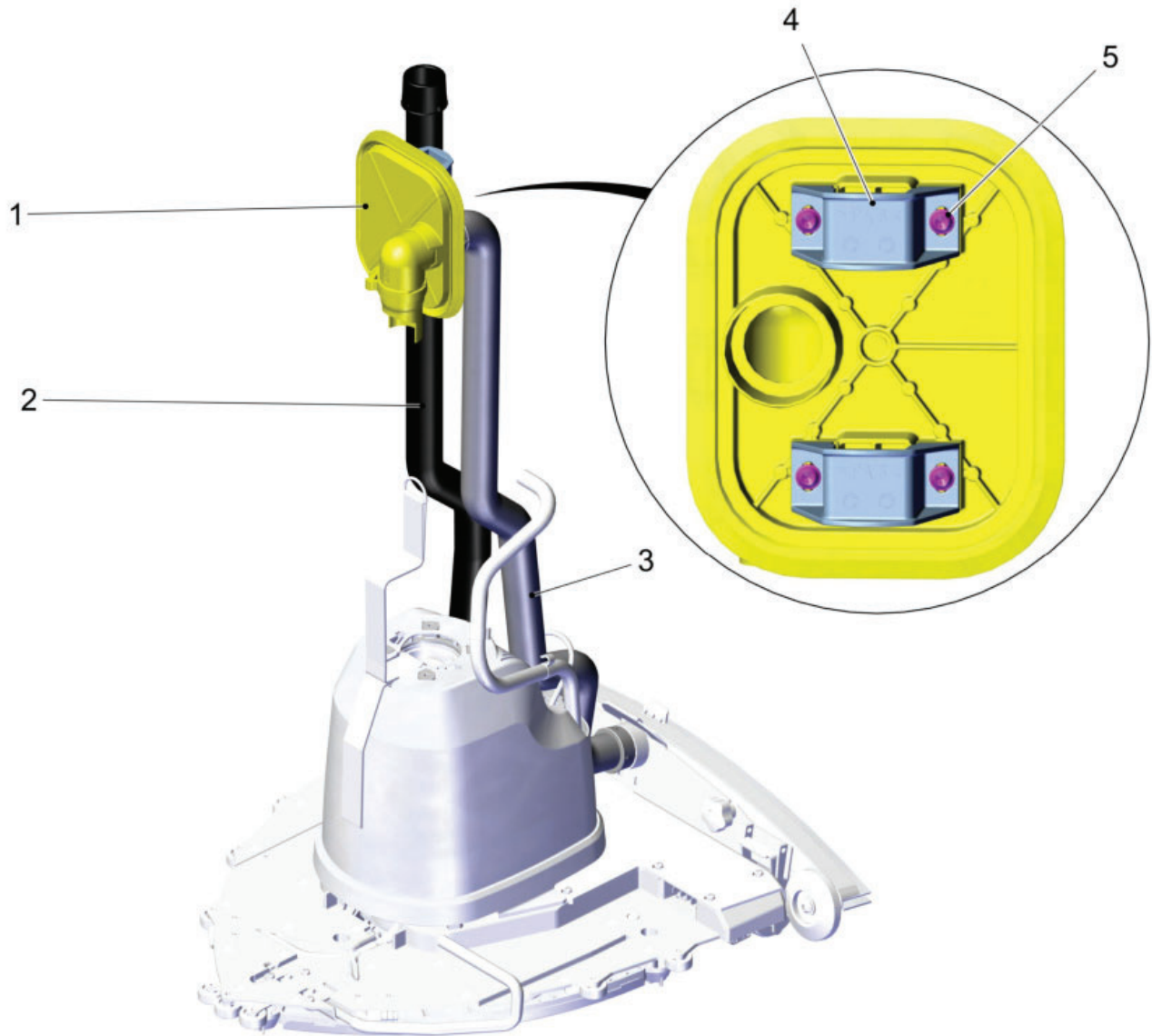
BILL OF MATERIAL			
ITEM	PART NO.	QTY	DESCRIPTION
1	---	1	JOINT BALL
2	---	7	SOCKET
3	---	1	COVER
4	01388010	5	SCREW
5	01386470	2	SCREW
6	---	1	HOUSING

Rope Complete (97181895)



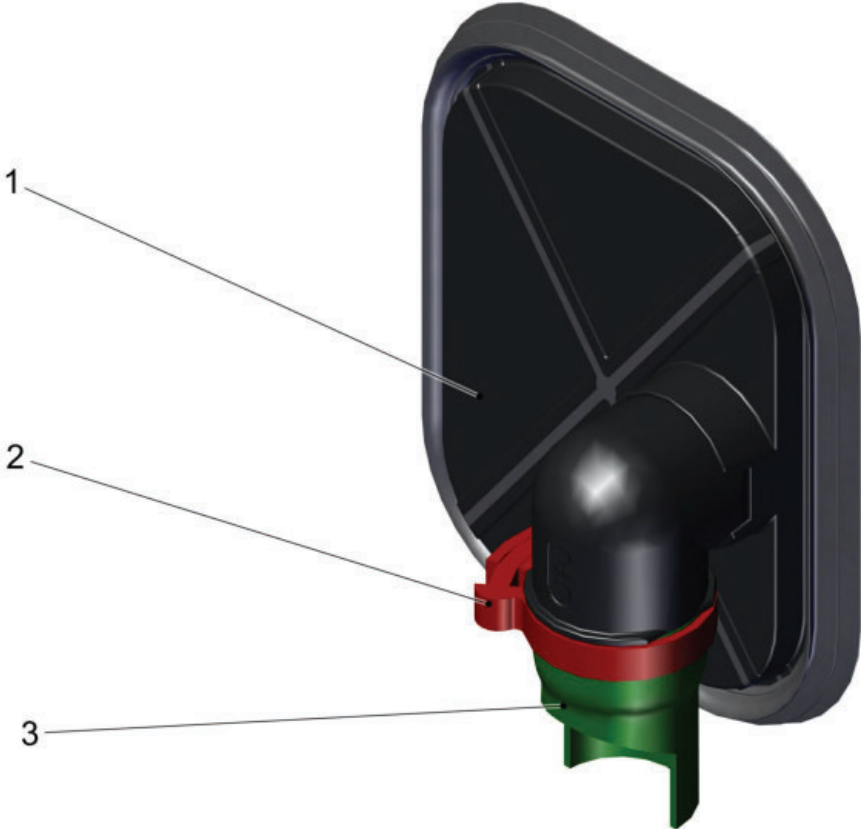
BILL OF MATERIAL			
ITEM	PART NO.	QTY	DESCRIPTION
1	01386460	1	ROPE
2	01388080	1	LOCKING PIN
3	01001180	1	PRESSURE SPRING
4	00135790	1	HEX. NUT
5	01092970	1	SLIDE BEARING BUSH

Handle Tube - Part Three (97171391-3)



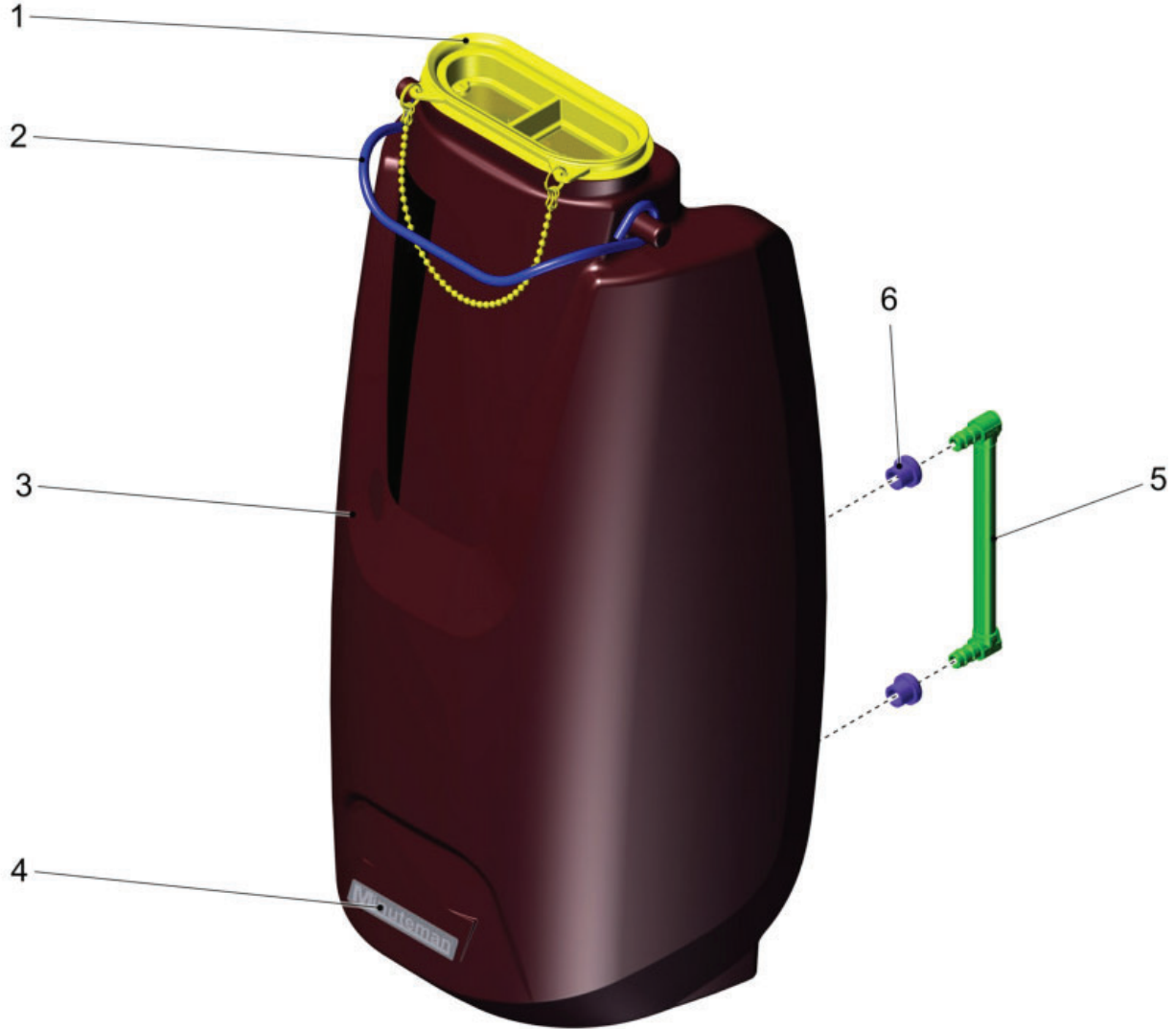
BILL OF MATERIAL			
ITEM	PART NO.	QTY	DESCRIPTION
1	97179030	1	DIRTY WATER INGRESS
2	01386770	1	HOSE
3	01385530	1	HOSE
4	01385340	2	PIPE MOUNTING
5	01170850	4	SCREW

Dirty Water Ingress (97179030)



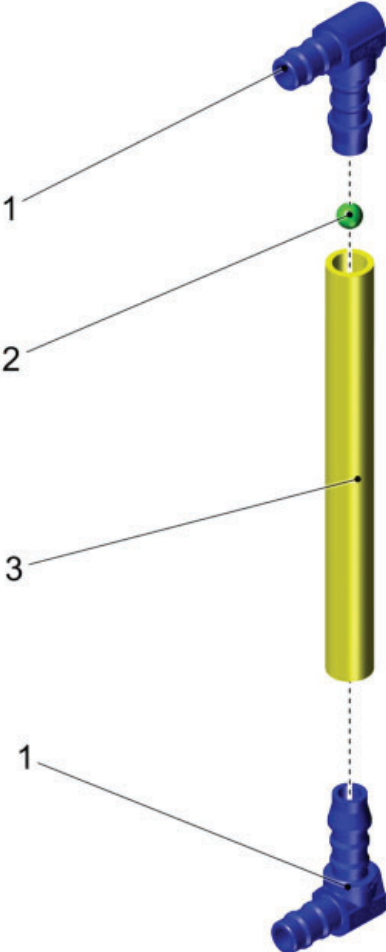
BILL OF MATERIAL			
ITEM	PART NO.	QTY	DESCRIPTION
1	01386750	1	DIRTY WATER INGRESS
2	---	1	HOSE CLAMP
3	---	1	SILICONE HOSE

Foul Water Tank (97176556)



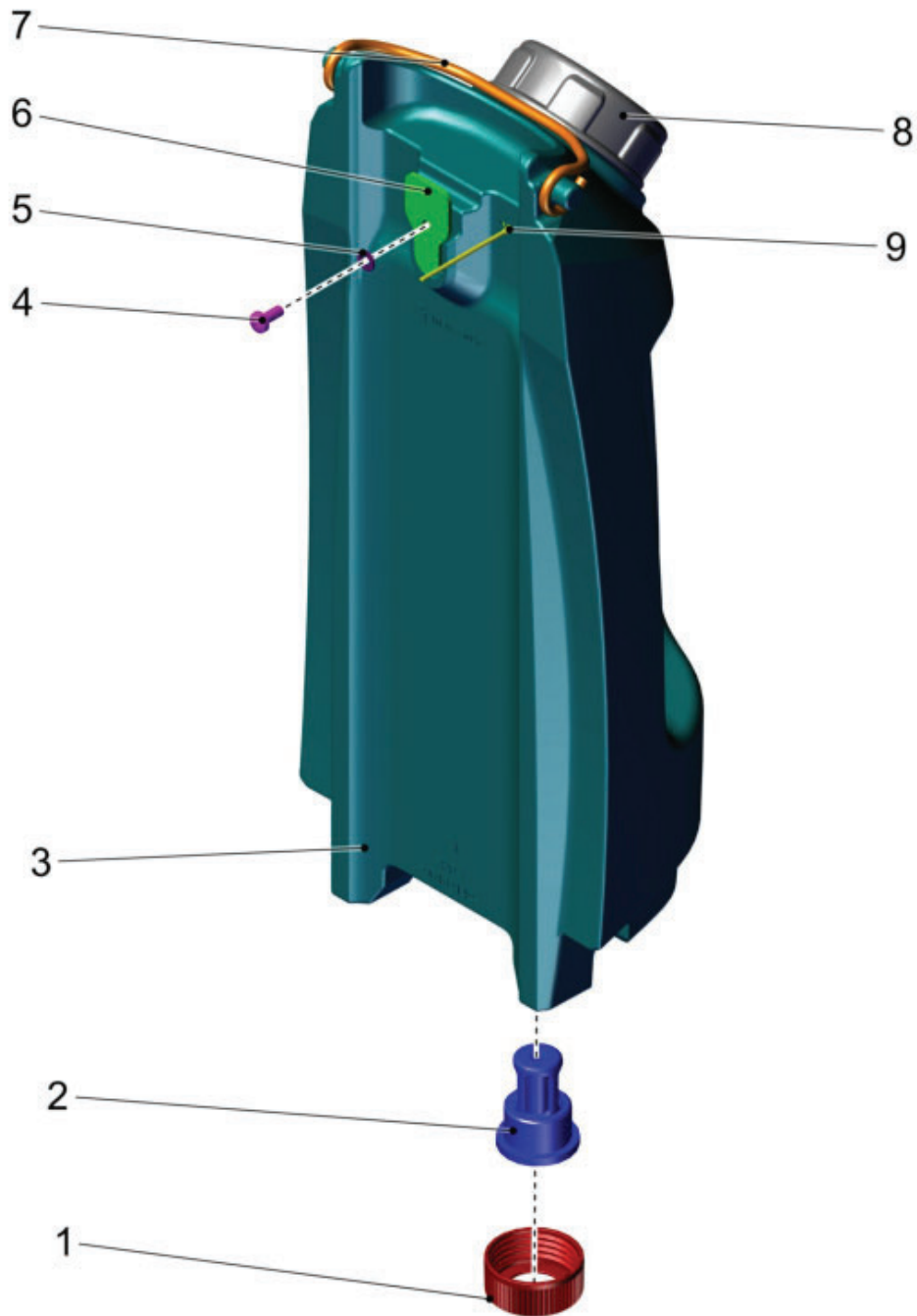
BILL OF MATERIAL			
ITEM	PART NO.	QTY	DESCRIPTION
2	01385910	1	HANDLE
3	01386820	1	FOUL WATER TANK
4	---	1	DECAL, MINUTEMAN
5	97177604	1	LEVEL GAUGE
6	00864480	2	CABLE SLEEVE

Level Gauge (97177604)



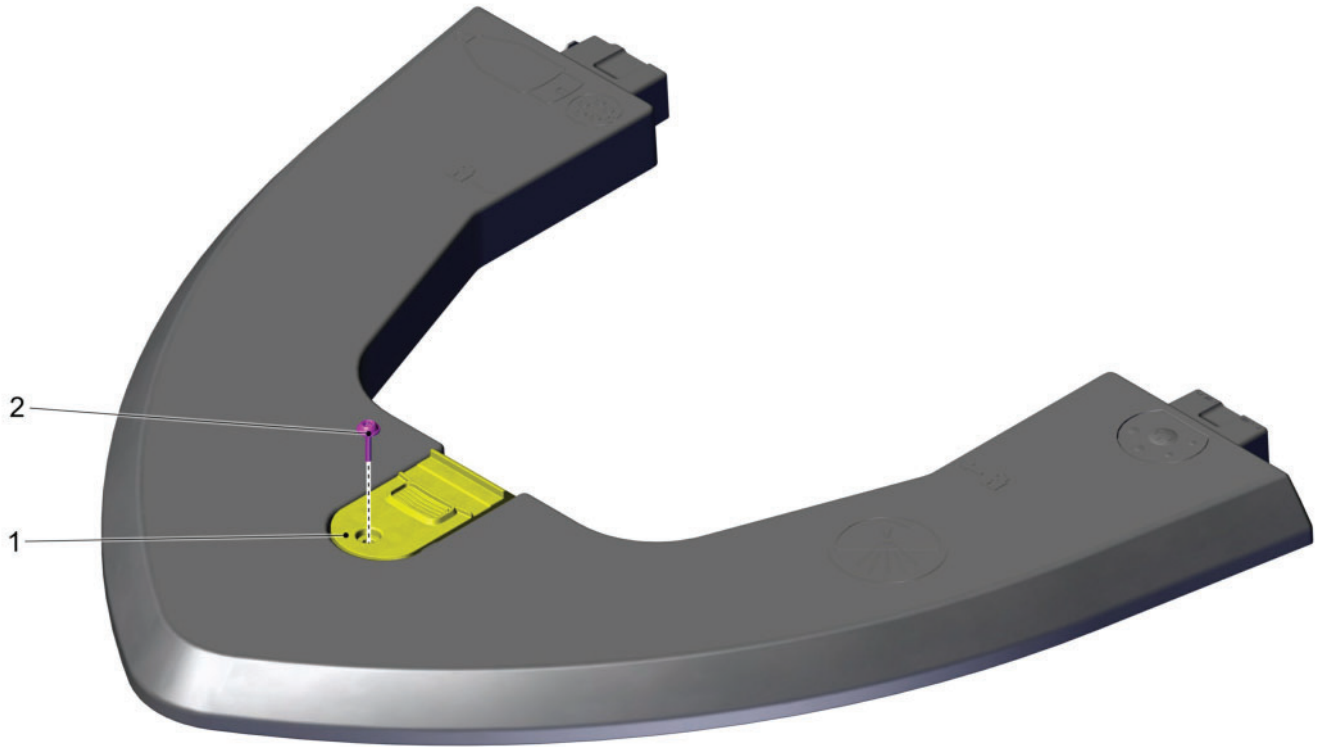
BILL OF MATERIAL			
ITEM	PART NO.	QTY	DESCRIPTION
1	01385790	2	ANGLE SOCKET
2	01072170	1	BALL
3	01278240	0.112	HOSE

Fresh Water Tank (97179212)



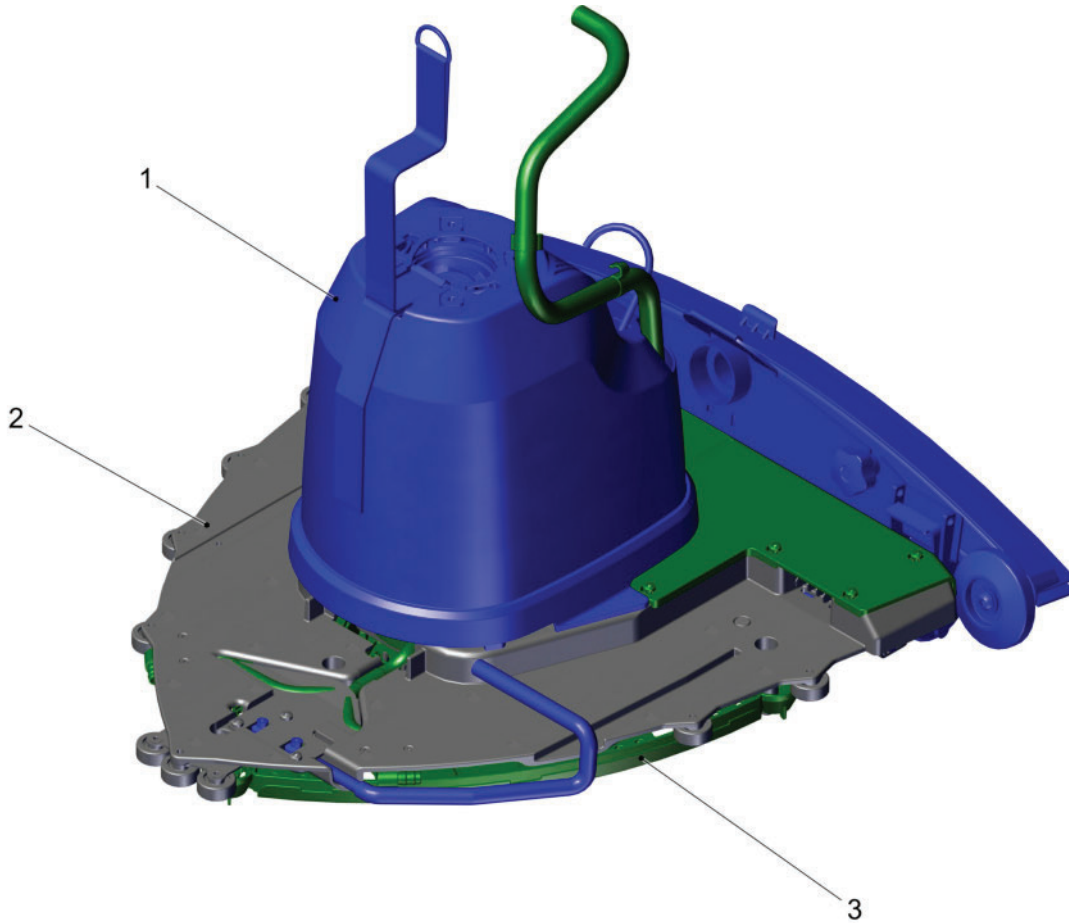
BILL OF MATERIAL			
ITEM	PART NO.	QTY	DESCRIPTION
1	01386680	1	COVER
2	01386870	1	FRESH WATER OUTLET
3	01386690	1	FRESH WATER TANK
4	00959220	1	SCREW
5	00053720	1	WASHER
6	---	1	LOCKING PLATE
7	01388100	1	BRACKET FRESH WATER TANK
8	01386790	1	COVER GREY
9	01388060	1	VALVE

Li-Ion Battery (99715070)



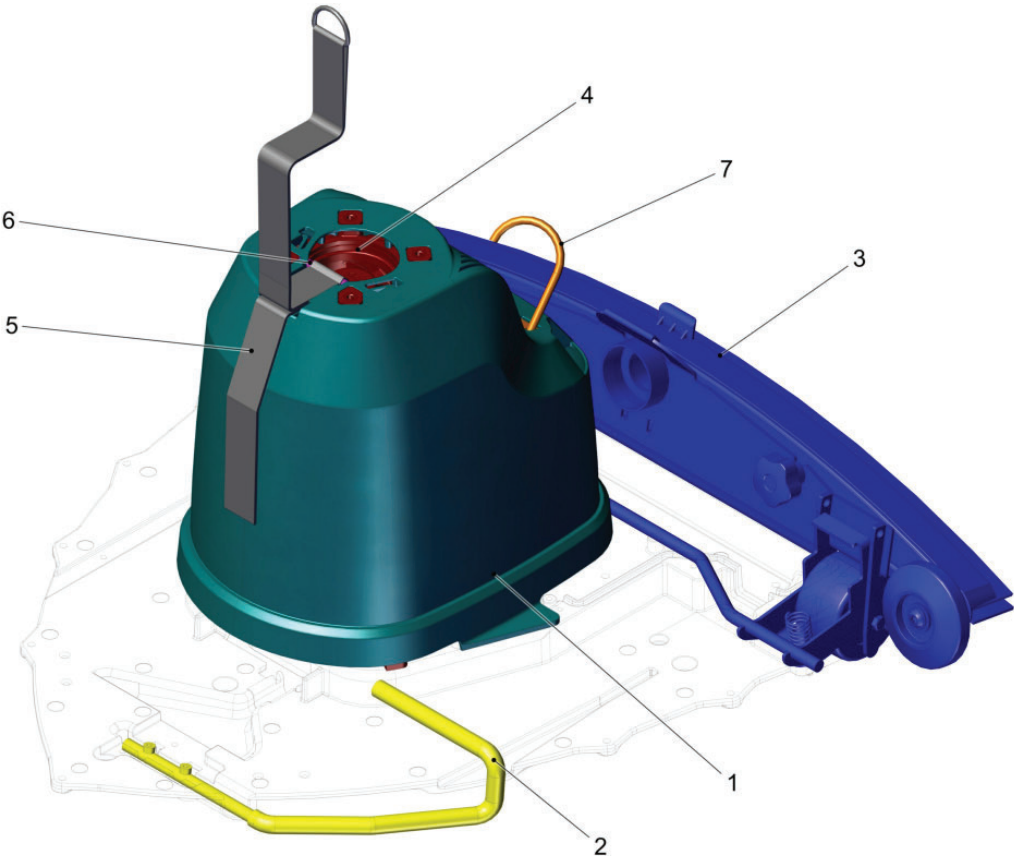
BILL OF MATERIAL			
ITEM	PART NO.	QTY	DESCRIPTION
1	---	1	LOCKING HOOKS
2	01078860	1	SCREW

Cleaning Aggregate (97173629)



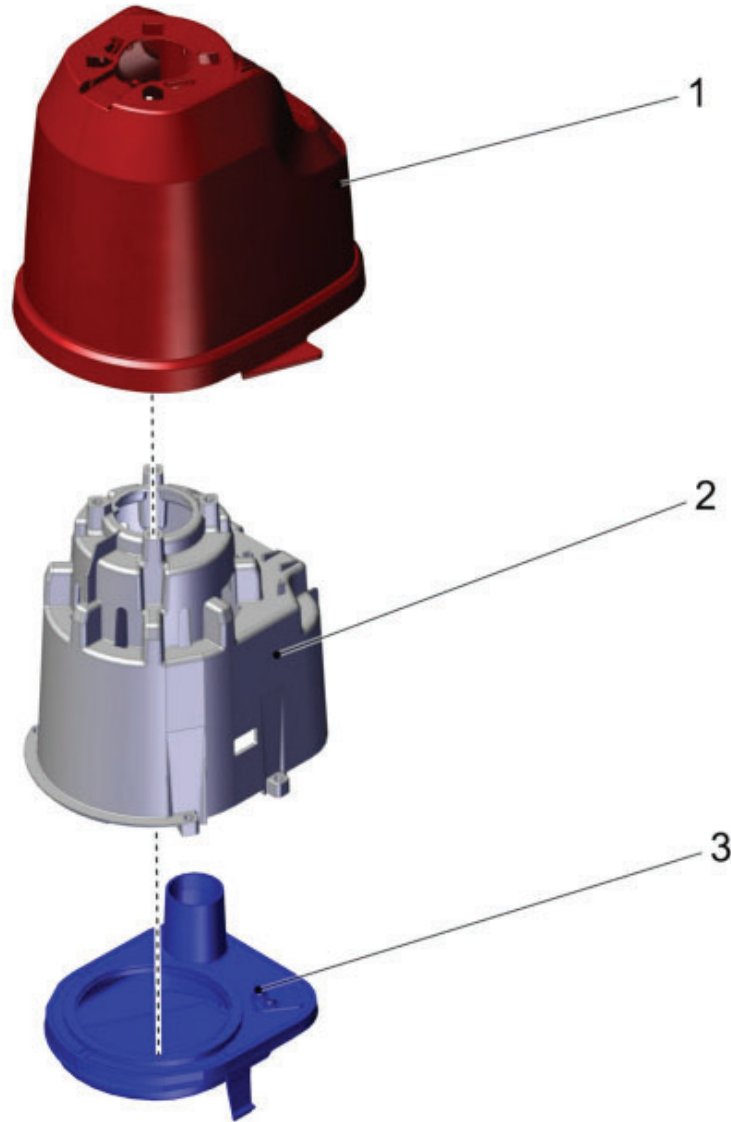
BILL OF MATERIAL			
ITEM	PART NO.	QTY	DESCRIPTION
1	97173629-1	1	CLEANING AGGREGATE (PART 1)
2	97173629-2	1	CLEANING AGGREGATE (PART 2)
3	97173629-3	1	CLEANING AGGREGATE (PART 3)

Cleaning Aggregate - Part One (97173629-1)



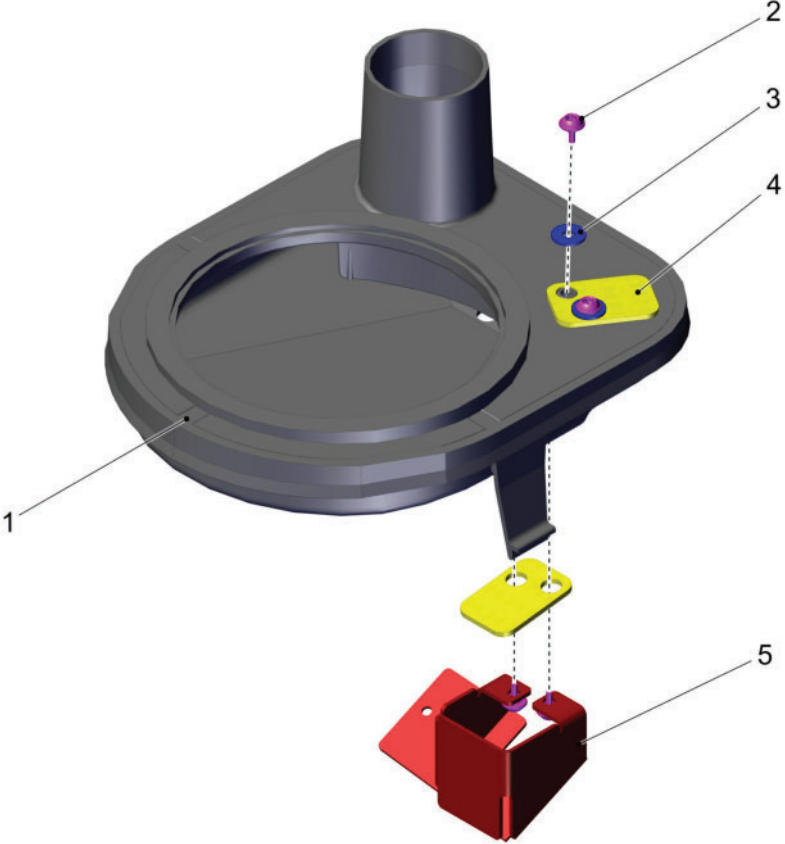
BILL OF MATERIAL			
ITEM	PART NO.	QTY	DESCRIPTION
1	97182398	1	SET TURBINE HOUSING
2	97182224	1	SUPPORT
3	97177174	1	SUCTION UNIT
4	97174965	1	TURBINE
5	01386610	1	BELT
6	01386510	1	STRAIGHT PIN
7	97182158	1	HOSE GUIDE

Set Turbine Housing (97182398)



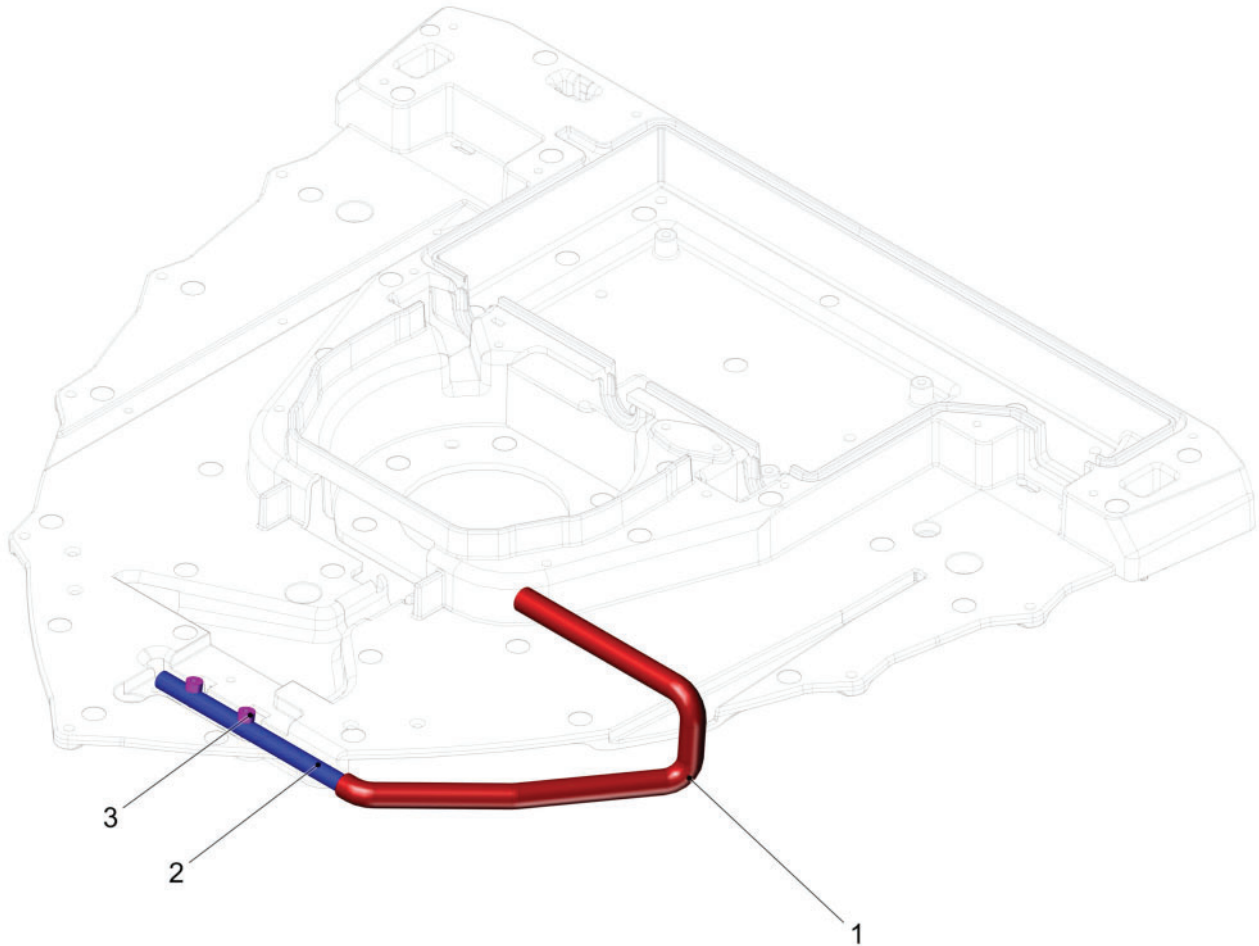
BILL OF MATERIAL			
ITEM	PART NO.	QTY	DESCRIPTION
1	01386760	1	COVERING
2	01385590	1	AIR PASSAGE
3	01385580	1	SUPPORT

Support (01385580)



BILL OF MATERIAL			
ITEM	PART NO.	QTY	DESCRIPTION
1	---	1	TURBINE SUPPORT
2	01170850	2	SCREW
3	00557150	2	WASHER
4	---	1	RUBBER FLAP
5	---	1	WATER FLOW

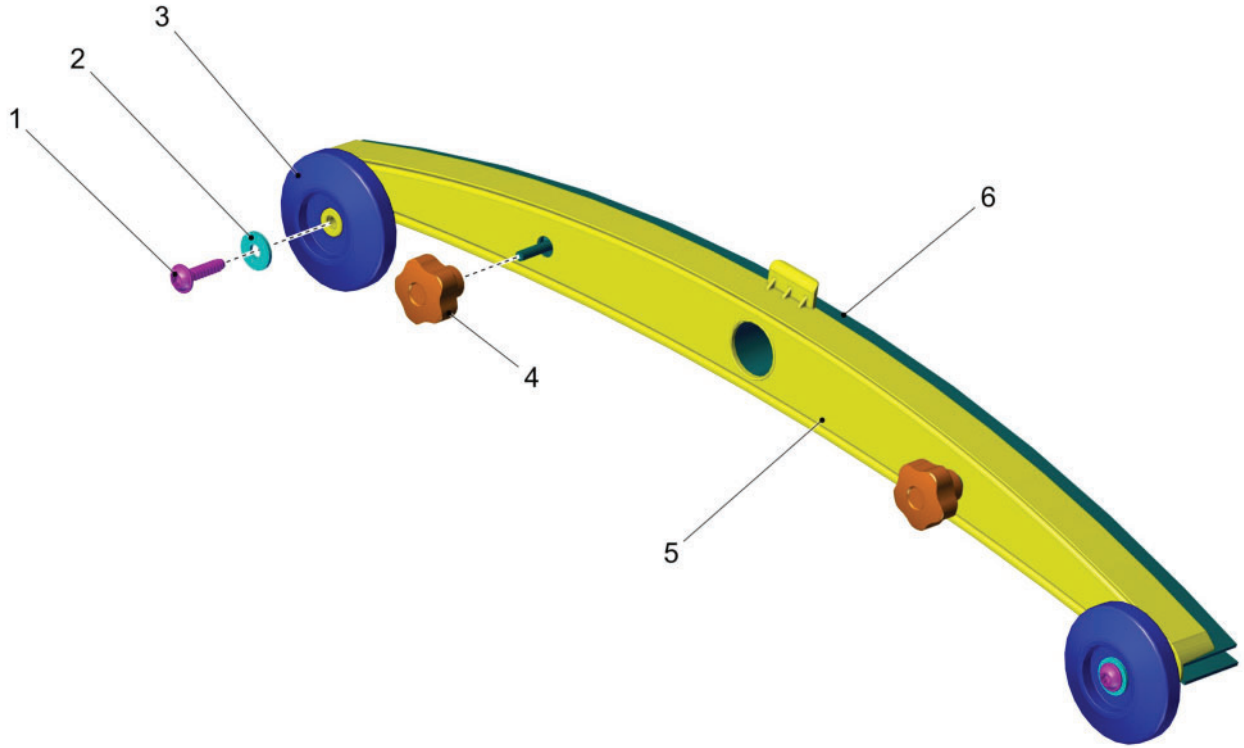
Support (97182224)



BILL OF MATERIAL			
ITEM	PART NO.	QTY	DESCRIPTION
1	00711670	0.278	HOSE
2	---	1	SUPPORT
3	00730930	2	SOCKET HEAD SCREW

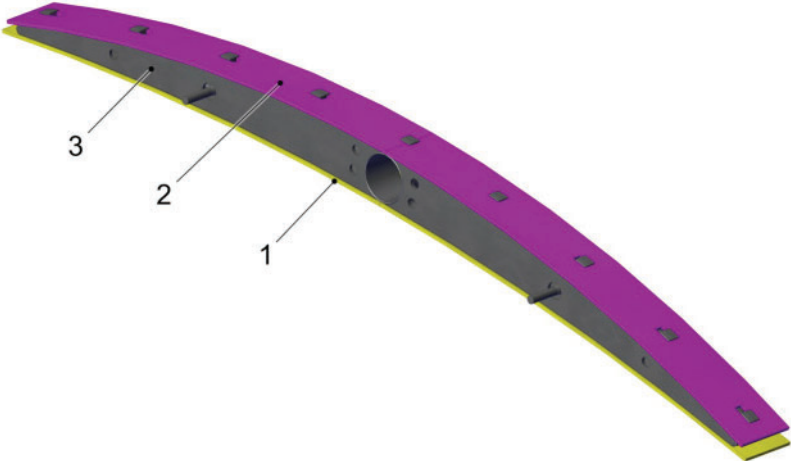
BILL OF MATERIAL			
ITEM	PART NO.	QTY	DESCRIPTION
1	01386720	1	SUCTION UNIT
2	01388200	1	SUCTION UNIT ADAPTER
3	01388190	1	ROCKER
4	01388150	1	CHAIN LOCK
5	00042360	1	CAP NUT
6	01386730	1	TIE BAR
7	01388050	2	ROLLER
8	01017660	2	HEX. NUT
9	01388070	2	AXLE
10	00053270	2	HEX.BOLT
11	01074320	2	LENS FLANGE SCREW
12	00864480	2	CABLE SLEEVE
13	00550870	1	CYL.COMPRESSION SPRING
14	01001180	1	PRESSURE SPRING
15	00102140	2	HEX. NUT
16	01386540	2	TRACK ROLLER
17	00854200	2	HEX. NUT
18	00854190	2	HEXAGON SCREW
19	00134200	1	SOCKET HEAD SCREW
20	01385650	1	COMPRESSION SPRING

Suction Unit (01386720)



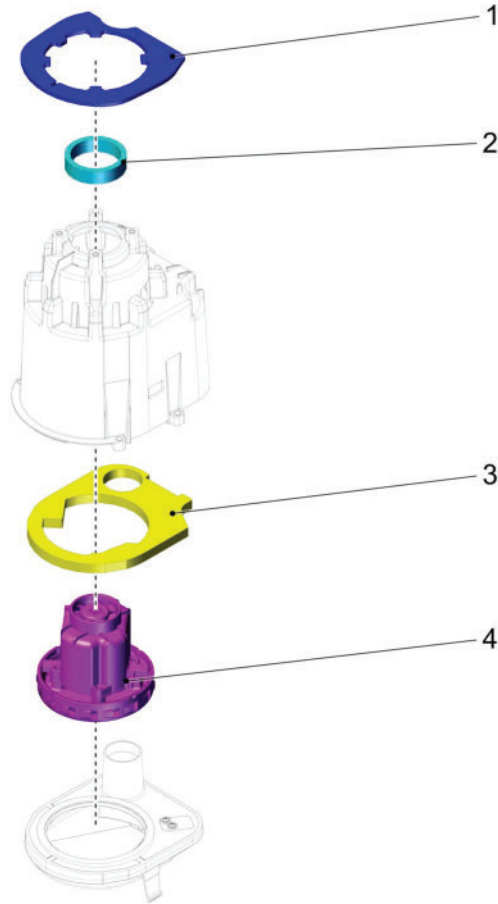
BILL OF MATERIAL			
ITEM	PART NO.	QTY	DESCRIPTION
1	01386560	2	SCREW
2	00135120	2	WASHER
3	01386580	2	DEFLECTOR ROLLER
4	01386570	2	STAR HANDLE
5	01387850	1	SUCTION UNIT
6	97177216	1	INSERT COMPONENT

Insert Component (97177216)



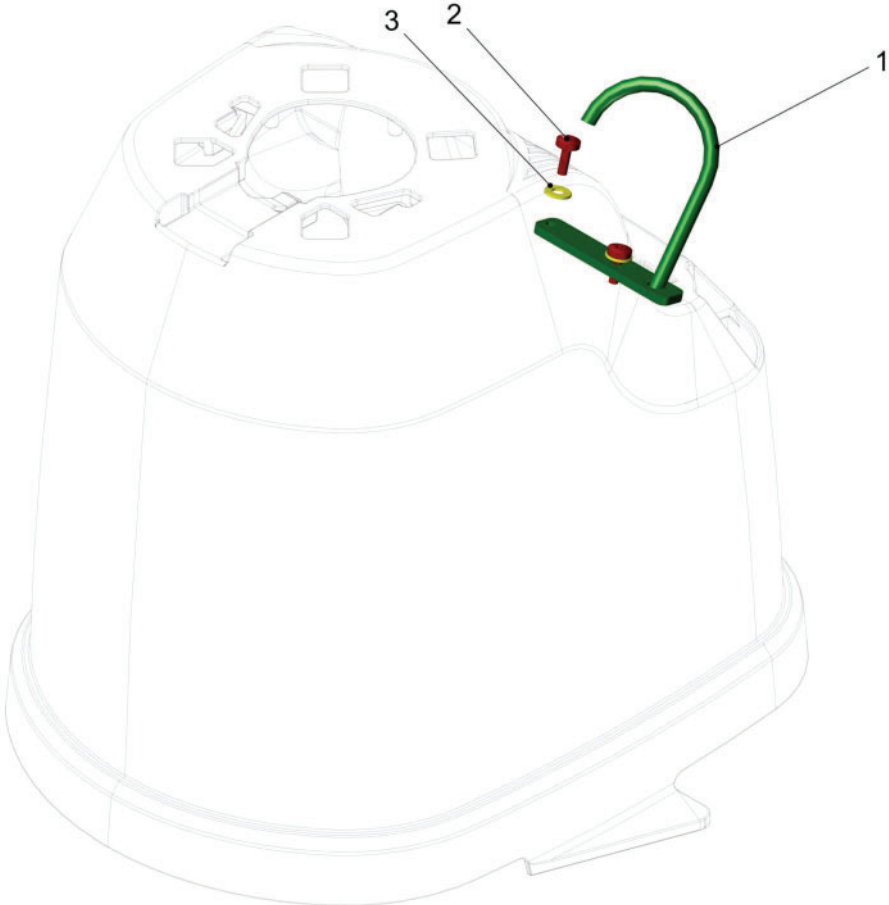
BILL OF MATERIAL			
ITEM	PART NO.	QTY	DESCRIPTION
1	01387690	1	SEALING STRIP FRONT
2	01387700	1	SEALING STRIP REAR
3	01387920	1	INSERTION PART

Turbine (97174965)



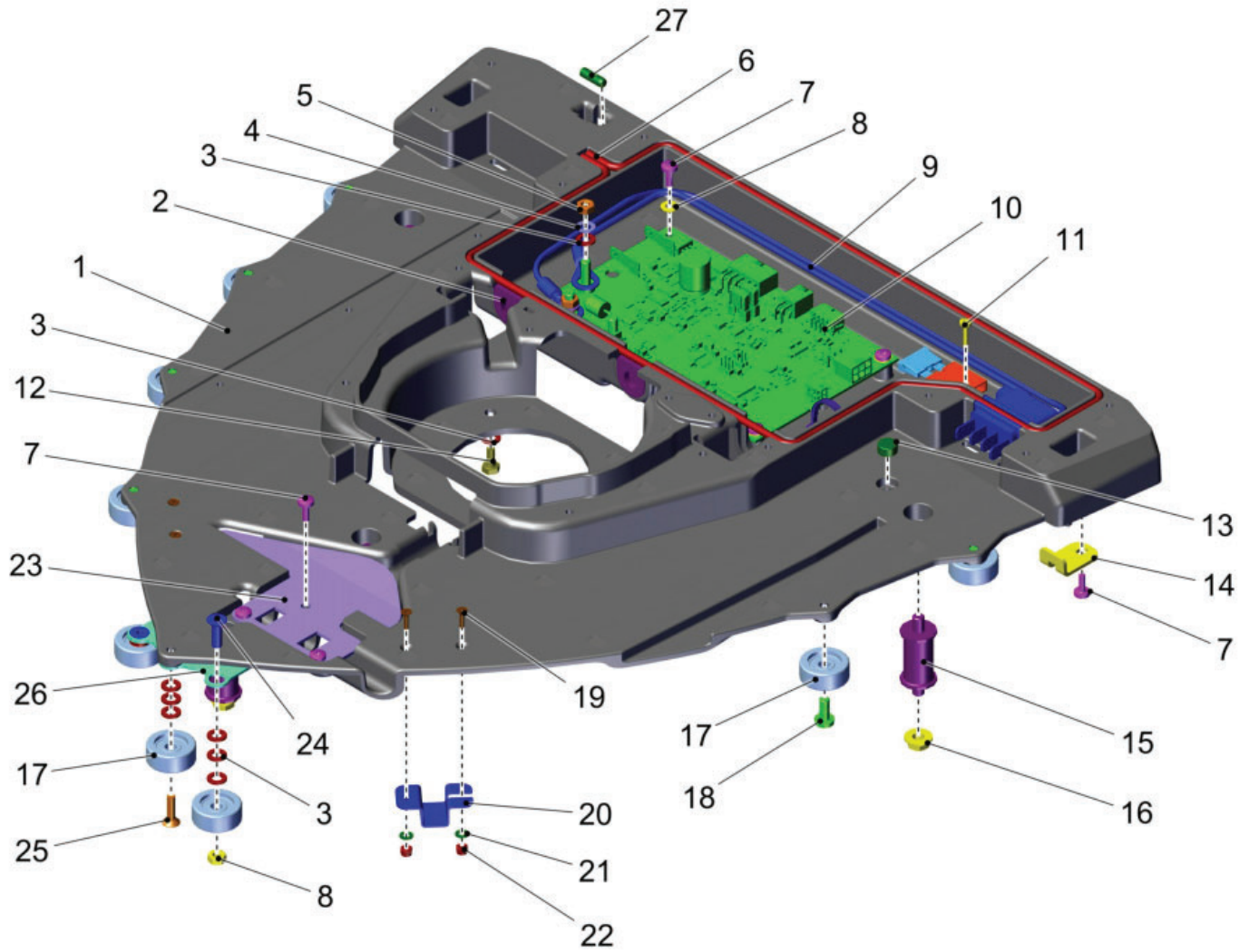
BILL OF MATERIAL			
ITEM	PART NO.	QTY	DESCRIPTION
1	01385550	1	SEAL
2	01385570	1	GASKET
3	01385600	1	GASKET
4	01385560	1	SUCTION MOTOR

Hose Guide (97182158)



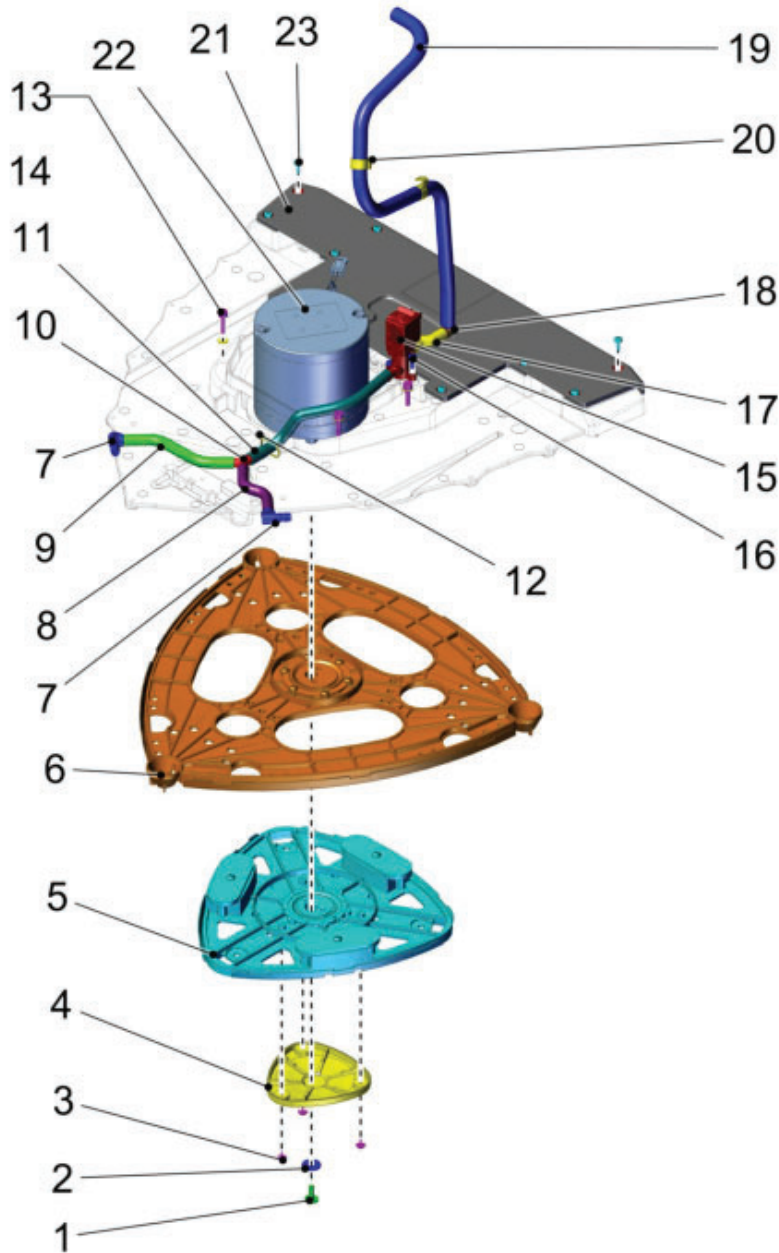
BILL OF MATERIAL			
ITEM	PART NO.	QTY	DESCRIPTION
1	---	1	HOSE GUIDE
2	01112160	2	SCREW
3	00053710	2	WASHER

Cleaning Aggregate - Part Two (97173629-2)



BILL OF MATERIAL			
ITEM	PART NO.	QTY	DESCRIPTION
1	01386550	1	CHASSIS B5
2	01388030	2	GROMMET U SHAPE
3	00053720	15	WASHER
4	01370200	2	SPRING WASHER
5	01370180	2	HEXAGON NUT
6	01388040	0.9	FOAM RUBBER
7	01112160	9	SCREW
8	00053710	4	WASHER
9	01386600	1	BLADE CONTACT INSERT
10	01385150	1	CONTROLLER 24V
11	01388000	1	SCREW
12	00054680	4	HEX.BOLT
13	01386530	1	MAGNET
14	01388110	2	MOUNTING SHEET
15	01387680	6	BUFFER
16	01388020	6	RETAINING NUT
17	01386540	9	TRACK ROLLER
18	00959220	6	SCREW
19	00022310	4	COUNTERSUNK SCREW
20	---	2	HOSE MOUNTING
21	00553740	4	WASHER
22	00022200	4	HEX. NUT
23	01388130	1	COVERING
24	01477670	2	COUNTERSUNK SCREW
25	00109430	1	SCREW
26	01388160	1	SHEET METAL
27	00705400	1	CYLINDER PIN
W3	---	1	WIRING HARNESS

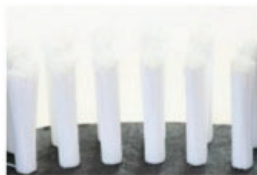
Cleaning Aggregate - Part Three (97173629-3)



BILL OF MATERIAL			
ITEM	PART NO.	QTY	DESCRIPTION
1	01017640	1	LENS FLANGE SCREW
2	01160920	1	DETENT EDGED WASHER
3	01170850	3	SCREW
4	01386740	1	COVERING
5	01385380	1	DRIVER INNER
6	01385270	1	DRIVER OUTER
7	---	2	ANGLE SOCKET
8	00711670	0.09	HOSE
9	00711670	0.121	HOSE
10	01090410	1	HOSE CONNECTING PIECE
11	01388140	1	FORM HOSE
12	00121150	1	CABLE TIE
13	00527610	4	CYLINDER HEAD SCREW
14	00053720	4	WASHER
15	01385540	1	SOLENOID VALVE
16	01136860	2	COUNTERSUNK SCREW
17	00711670	0.045	HOSE
18	01385790	1	ANGLE SOCKET
19	01074650	0.555	SPIRAL COILED TUBE
20	01385660	2	DOUBLE CABLE CLIP
21	01385220	1	E-COVERING
22	01385370	1	MOTOR
23	01112160	9	SCREW

Cleaning Tools

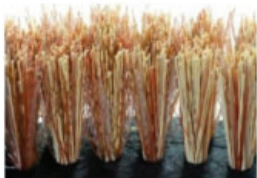
1



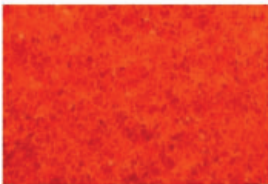
2



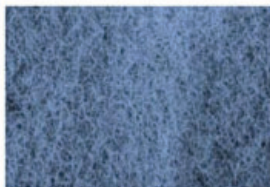
3



4



5



6



7



8



BILL OF MATERIAL			
ITEM	PART NO.	QTY	DESCRIPTION
1	99715080	1	ORBITAL BRUSH 17(430) PPN 0,5
2	99715081	1	ORBITAL BRUSH 17(430) K901
3	99715082	1	ORBITAL-BÜRSTE 17(430) 5-K
4	99715085	1	ORBITAL-PAD RED 17(430) 5PCS.
5	99715092	1	ORBITAL-PAD BLUE 17(430) 5PCS.
6	99715086	1	ORBITAL-PAD GREEN 17(430) 5PCS.
7	99715088	1	ORBITAL-PAD SUB 17(430)
8	99715084	1	ORBITAL PAD HOLDER 17(430)

“More Than Just Clean”

**Minuteman is a Full Line Manufacturer of Sweepers and Scrubbers,
for Industrial Facilities.**